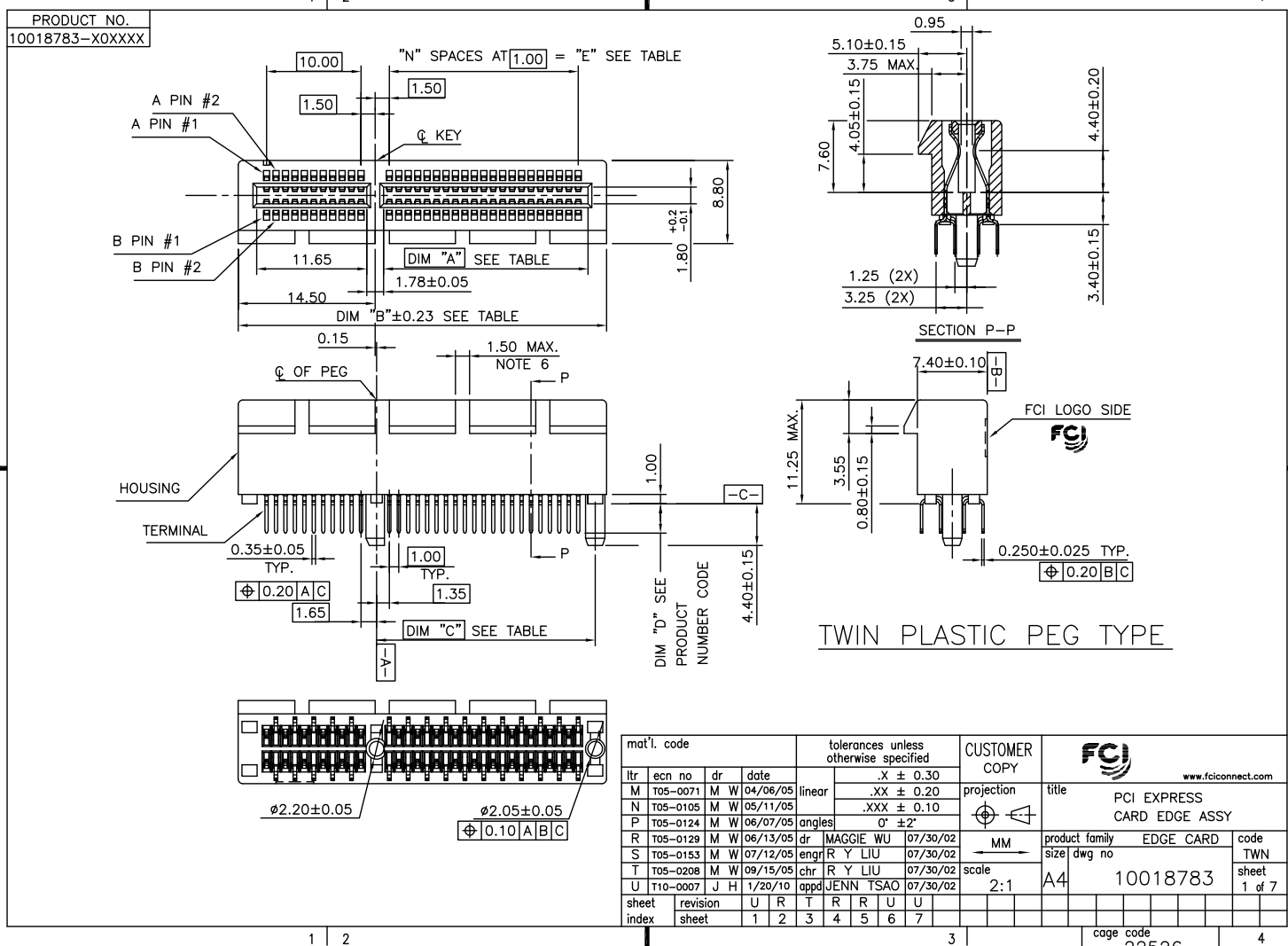


Tous droits strictement réservés. Reproduction ou communication à des fins  
 interdites sous quelque forme que de soit sans autorisation écrite du propriétaire.  
 Property of FCI. Copyright FCI. Droits de reproduction FCI.



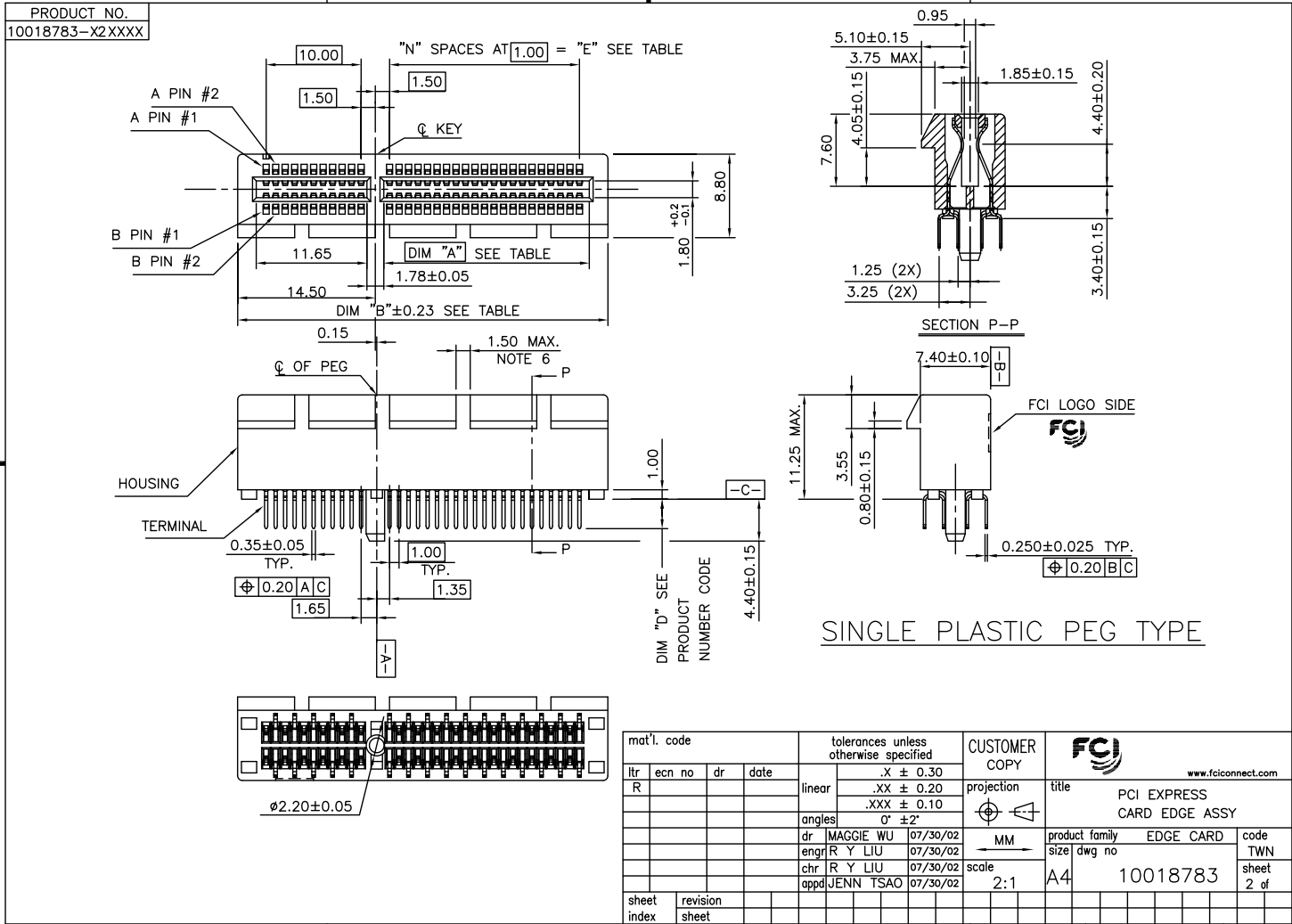
mat'l. code				tolerances unless otherwise specified		CUSTOMER COPY		FCI	
lrr	ecn no	dr	date	linear	.X ± 0.30	projection	title	www.fciconnect.com	
M	T05-0071	M W	04/06/05		.XX ± 0.20	MM	PCI EXPRESS CARD EDGE ASSY	product family	EDGE CARD
N	T05-0105	M W	05/11/05		.XXX ± 0.10			size	dwg no
P	T05-0124	M W	06/07/05	angles	0° ±2°	scale	2:1	A4	10018783
R	T05-0129	M W	06/13/05	dr	MAGGIE WU	07/30/02			
S	T05-0153	M W	07/12/05	engr	R Y LIU	07/30/02			
T	T05-0208	M W	09/15/05	chr	R Y LIU	07/30/02			
U	T10-0007	J H	1/20/10	appd	JENN TSAO	07/30/02			
sheet index	revision sheet	U	R	T	R	R	U	U	
1	2	3	4	5	6	7			

ACAD PDM: Rev:U STATUS: Released cage code 22526 Printed: Jun 28, 2010

Tous droits strictement réservés. Reproduction ou communication à des fins  
 interdites sous quelque forme que de soit sans autorisation écrite du propriétaire.  
 Property of FCI. Copyright FCI. Droits de reproduction FCI.



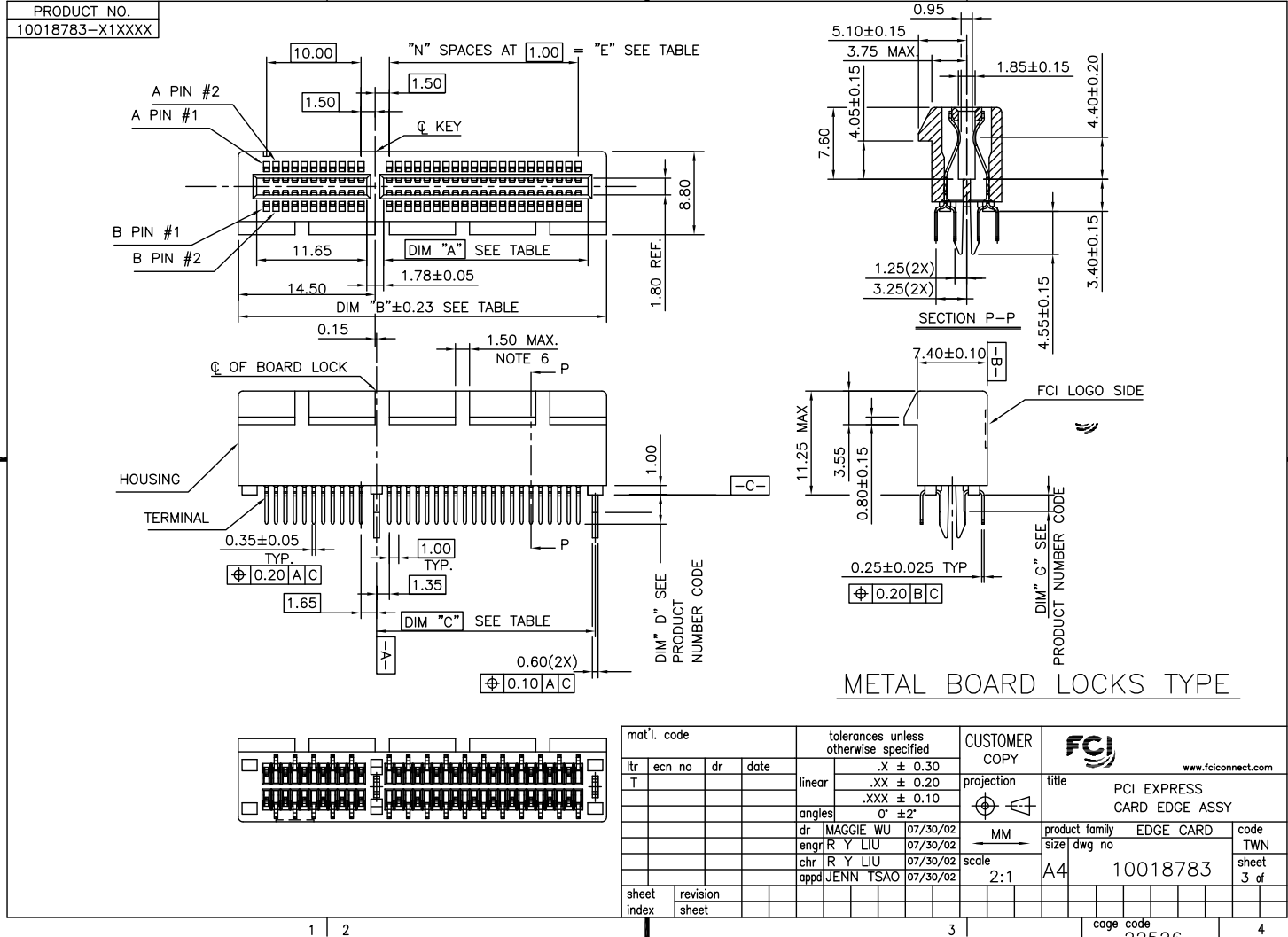
All rights strictly reserved. Reproduction or issue to third parties in any  
 form whatever is not permitted without written authority from the proprietor.  
 Property of FCI. Copyright FCI.



mat'l. code		tolerances unless otherwise specified		CUSTOMER COPY		FCI	
lrr	ecn no	dr	date	linear	.X ± 0.30	projection	title
R					.XX ± 0.20	MM	PCI EXPRESS CARD EDGE ASSY
				angles	.XXX ± 0.10		
				dr	0' ±2'	product family	EDGE CARD
				engr	MAGGIE WU 07/30/02	size	dwg no
				chr	R Y LIU 07/30/02	scale	10018783
				appd	JENN TSAO 07/30/02	A4	code
sheet index	revision sheet						TWN
							sheet
							2 of

ACAD PDM: Rev:U STATUS: Released cage code 22526 Printed: Jun 28, 2010

All rights strictly reserved. Reproduction or issue to third parties in any form whatsoever is not permitted without written authority from the proprietor. Property of FCI. Copyright FCI.



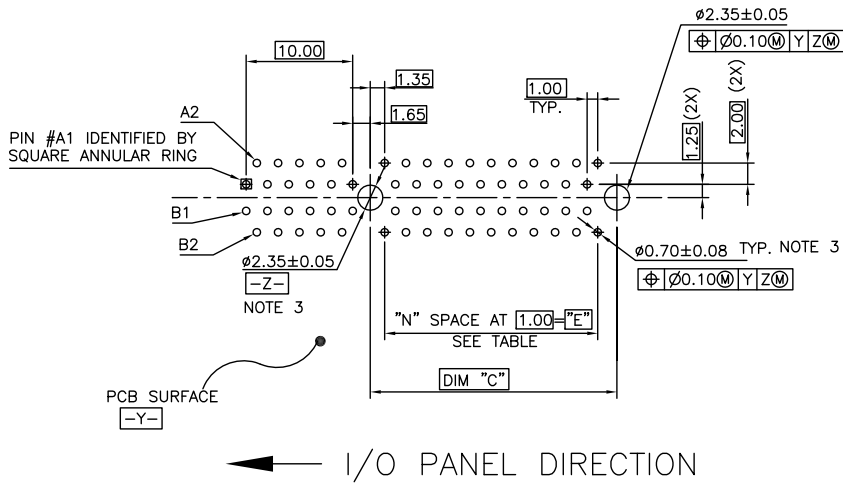
mat'l. code		tolerances unless otherwise specified		CUSTOMER COPY		FCI		
ltr	ecn no	dr	date	linear	.X ± 0.30	projection	title	
T					.XX ± 0.20		PCI EXPRESS CARD EDGE ASSY	
				angles	.XXX ± 0.10			product family
				dr	0° ±2'	MM	size	dwg no
				engr	MAGGIE WU 07/30/02	scale	A4	10018783
				chr	R Y LIU 07/30/02			code
				appd	JENN TSAO 07/30/02			TWN
sheet index	revision sheet							sheet 3 of

ACAD PDM: Rev:U STATUS Released cage code 22526 Printed: Jun 28, 2010

Tous droits strictement réservés. Reproduction ou communication e des liste interdite sous quelque forme que ce soit sans autorisation écrite du propriétaire. Property of FCI. Droits de reproduction FCI.



All rights strictly reserved. Reproduction or issue to third parties in any form whatever is not permitted without written authority from the proprietor. Property of FCI. Copyright FCI.



RECOMMENDED FOOTPRINT

mat'l. code		tolerances unless otherwise specified		CUSTOMER COPY	FCI www.fciconnect.com		
lfr	ecn no	dr	date	linear	.X ±	projection	
R					.XX ±		
				angles	.XXX ±	MM	
					0° ±2°		
				dr	MAGGIE WU 07/30/02	product family	
				engr	R Y LIU 07/30/02		EDGE CARD
				chr	R Y LIU 07/30/02	size	code
				appd	JENN TSAO 07/30/02	dwg no	TWN
sheet index	revision sheet			scale	2:1	A4	10018783
							sheet 4 of

AC.AD

PDM: Rev:U

STATUS: Released

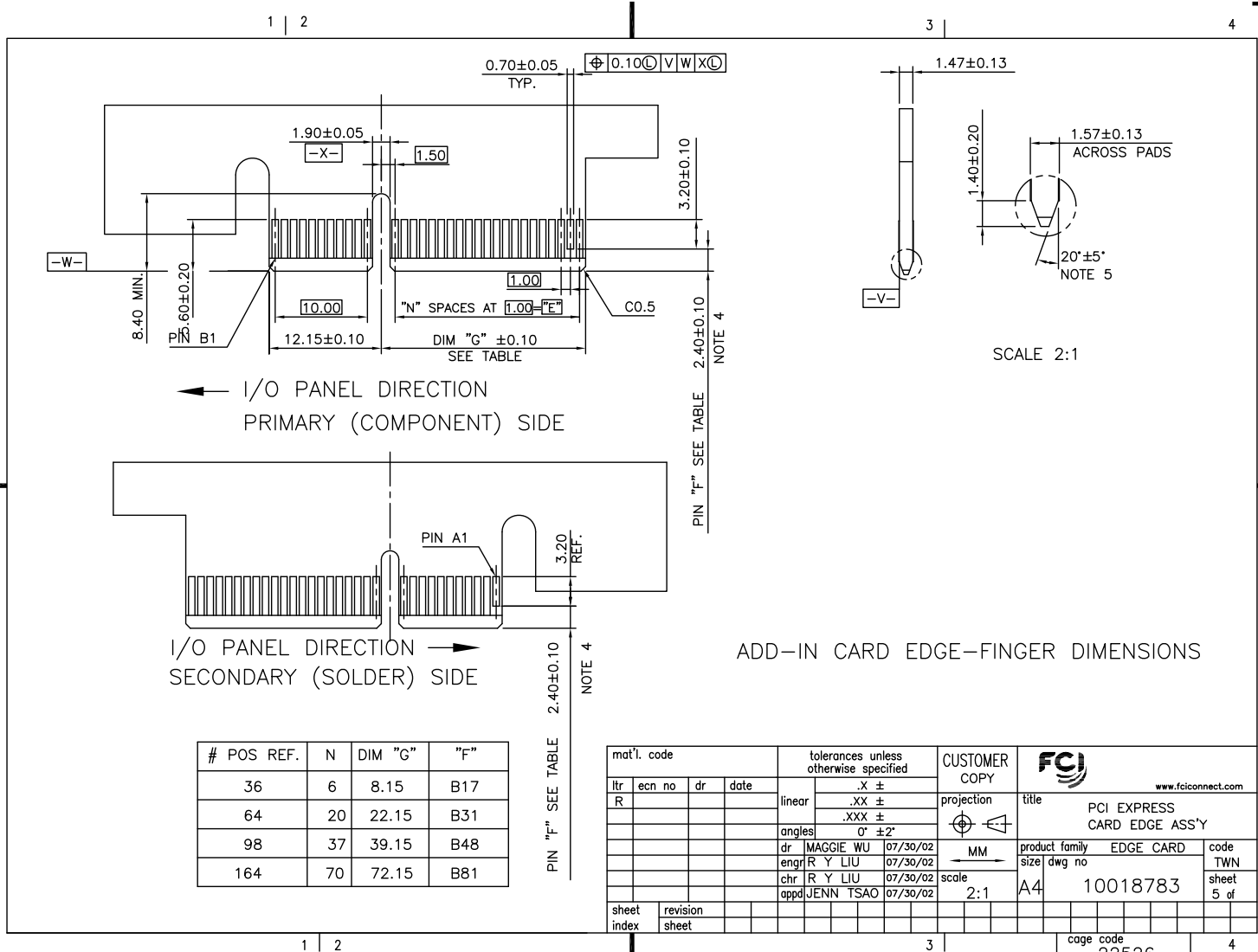
cage code 22526

Printed: Jun 28, 2010

Tous droits strictement réservés. Reproduction ou communication à des fins  
interdit sans autorisation écrite du propriétaire.  
Property of FCI. Copyright FCI. Droits de reproduction FCI.



All rights strictly reserved. Reproduction or issue to third parties in any  
form whatsoever is not permitted without written authority from the proprietor.  
Property of FCI. Copyright FCI.



I/O PANEL DIRECTION  
PRIMARY (COMPONENT) SIDE

I/O PANEL DIRECTION  
SECONDARY (SOLDER) SIDE

#	POS	REF.	N	DIM "G"	"F"
36	6		8.15	B17	
64	20		22.15	B31	
98	37		39.15	B48	
164	70		72.15	B81	

PIN "F" SEE TABLE

mat'l.	code	tolerances unless otherwise specified		CUSTOMER COPY	FCI
l	ec	n	o	dr	date
R				linear	.X ±
					.XX ±
					.XXX ±
				angles	0° ±2°
				dr	MAGGIE WU 07/30/02
				eng	R Y LIU 07/30/02
				chr	R Y LIU 07/30/02
				appd	JENN TSAO 07/30/02
sheet	revision				
index	sheet				

projection	title	product family	EDGE CARD	code
MM	PCI EXPRESS CARD EDGE ASS'Y	EDGE CARD		TWN
scale	size	dwg no		sheet
2:1	A4	10018783		5 of
		cage code		
		22526		

NOTES:

1. MATERIAL:

HOUSING: HIGH TEMPERATURE NYLON, GLASS FILLED UL94V-0 RATED.  
TERMINAL: COPPER ALLOY.

PLATING: 50u" NICKEL UNDERPLATE ALL OVER  
CONTACT AREA PLATING - SEE PRODUCT NUMBER CODE  
SOLDER TAIL: TIN OR TIN /LEAD(90/10)- SEE PRODUCT NUMBER CODE 100u" MIN. OVER 50u" NICKEL.

METAL BOARD LOCKS: COPPER ALLOY.  
FINISH: 100u" TIN OR TIN/LEAD(90/10) OVER 50u" NICKEL  
UNDERPLATE SEE PRODUCT NUMBER CODE.

2. PRODUCT SPECIFICATION: GS-12-233.

③ THE HORIZONTAL AXIS FOR THE HOLE PATTERN IS ESTABLISHED BY A LINE THROUGH THE CENTER OF THE TWO #2.35 HOLES.  
THE VERTICAL AXIS IS 90° TO THE HORIZONTAL AXIS, THROUGH THE CENTER OF DATUM Z.

④ NO TIE BAR PERMITTED FROM CARD EDGE TO LEADING EDGE OF PAD FOR PINS A1 AND PIN NUMBERS "F".

⑤ CHAMFER EDGES MUST BE FREE OF CUTTING BURRS.

⑥ FREQUENCY & LOCATION AT SUPPLIER DISCRETION. RIDGE MAY BE CONTINUOUS WITH NO BREAKS.

7. RoHS COMPATIBLE PRODUCT SPECIFICATIONS:

a - PLATING:

- "LF" MEANS THE PRODUCT IS LEAD-FREE, 2um MINIMUM MATTE TIN OVER 1.27um MINIMUM NICKEL UNDERPLATE.

b - MANUFACTURING PROCESS COMPATIBILITY:

- THE HOUSING WILL WITHSTAND EXPOSURE TO 260°C±5°C TEMPERATURE FOR 10 SECONDS IN RE-FLOW APPLICATION, REFER TO GS-14-858 FOR OPERATING.

PRODUCT NUMBER CODE

10018783

-X X X X X X X X

LEAD FREE OPTION

LEAVE BLANK FOR TERMINAL PLATING 3,4,5  
"LF" FOR TERMINAL PLATING OPTION 0,1,2

PACKAGING OPTIONS

T-SOFT TRAY PACKAGING  
M-SOFT TRAY PACKAGING & MYLAR TAPE. SEE FIGULE 1  
Y-HARD TRAY PACKAGING (FOR 164P ONLY)  
Z-HARD TRAY PACKAGING WITH MYLAR (FOR 164P ONLY)

CONNECTOR	# POS REF.	N	DIM "A"	DIM "B"	DIM "C"	"E"
1 PORT	36	6	7.65	25.00	9.15	6.00
4 PORT	64	20	21.65	39.00	23.15	20.00
8 PORT	98	37	38.65	56.00	40.15	37.00
16 PORT	164	70	71.65	89.00	73.15	70.00

HOUSING COLOR OPTIONS

0-NATURAL  
1-BLACK

PEGS OPTIONS

0-PLASTIC PEGS  
1-METAL BOARD LOCKS  
2-SINGLE PLASTIC PEGS

TERMINAL PLATING OPTIONS

- 0-50u" Ni UNDERPLATE
- 30u" Au CONTACT AREA
- 100u" TIN TAIL AREA ----- COMPATIBLE RoHS
- 1-50u" Ni UNDERPLATE
- 15u" Au CONTACT AREA
- 100u" TIN TAIL AREA ----- COMPATIBLE RoHS
- 2-50u" Ni UNDERPLATE
- GOLD FLASH CONTACT AREA
- 100u" TIN TAIL AREA ----- COMPATIBLE RoHS
- 3-50u" Ni UNDERPLATE
- 30u" Au CONTACT AREA
- 100u" TIN/LEAD TAIL AREA ----- INCOMPLIANT RoHS
- 4-50u" Ni UNDERPLATE
- 15u" Au CONTACT AREA
- 100u" TIN/LEAD TAIL AREA ----- INCOMPLIANT RoHS
- 5-50u" Ni UNDERPLATE
- GOLD FLASH CONTACT AREA
- 100u" TIN/LEAD TAIL AREA ----- INCOMPLIANT RoHS

POS OPTIONS

0-36  
1-64  
2-98  
3-164

TAIL LENGTH OPTIONS

	DIM "D"	PCB THICKNESS	BOARD LOCKS DIM "G"
0	2.30 <sup>+0.25</sup> <sub>-0.13</sub>	1.56±0.10	1.70±0.15
1	3.10 <sup>+0.25</sup> <sub>-0.13</sub>	2.36±0.10	2.50±0.15
2	2.54±0.25	1.56±0.10	1.70±0.15
3	1.90±0.25	1.56±0.10	1.70±0.15

mat'l. code		tolerances unless otherwise specified		CUSTOMER COPY		FCI www.fciconnect.com	
ltr	ecn no	dr	date	linear	.X ±	projection	title
U					.XX ±		PCI EXPRESS CARD EDGE ASS'Y
				angles	.XXX ±		
					0' ±2'		product family EDGE CARD
				dr	MAGGIE WU 07/30/02		
				engr	R Y LIU 07/30/02	scale	size
				chr	R Y LIU 07/30/02	1:1	dwg no
				appd	JENN TSAO 07/30/02		A4
sheet index	revision sheet						code TWN
							sheet 6 of

Tous droits strictement réservés. Reproduction ou communication à des fins  
 interdites sous quelque forme que ce soit sans autorisation écrite du propriétaire.  
 Property of FCI. Copyright FCI. Droits de reproduction FCI.



All rights strictly reserved. Reproduction or issue to third parties in any  
 form whatsoever is not permitted without written authority from the proprietor.  
 Property of FCI. Copyright FCI.

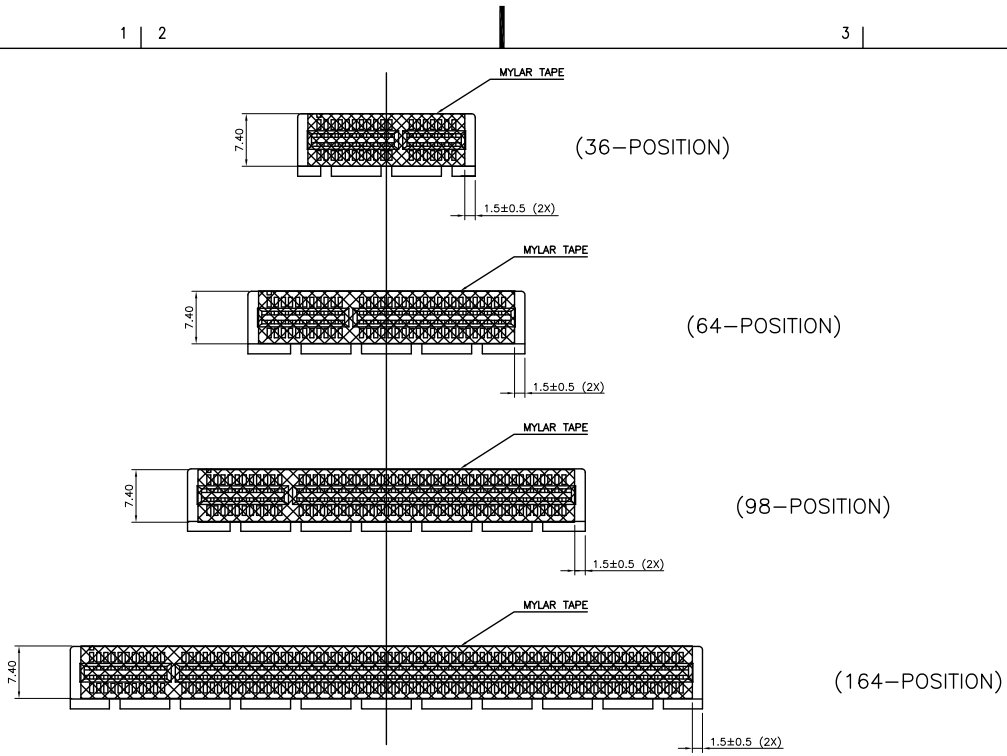


FIGURE 1

mat'l. code		tolerances unless otherwise specified		CUSTOMER COPY		FCI www.fciconnect.com	
lfr	ecn no	dr	date	linear	.X ± 0.25	projection	title
U					.XX ± 0.13		PCI EXPRESS CARD EDGE ASS'Y
				angles	.XXX ± 0.05		
				dr	0° ± 2'	MM	product family
				engr	MAGGIE WU 06/07/05	scale	EDGE CARD
				chr	R Y LIU 06/07/05	1.5:1	size
				appd	JENN TSAO 06/07/05	A4	dwg no
sheet index	revision sheet						10018783
							code
							TWN
							sheet
							7 of

ACAD

PDM: Rev:U

STATUS: Released

cage code  
22526

Printed: Jun 28, 2010