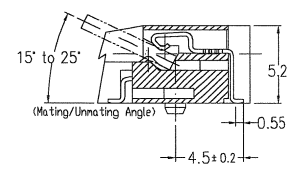
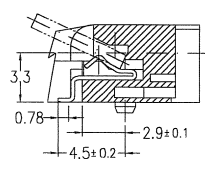
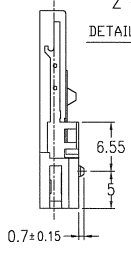
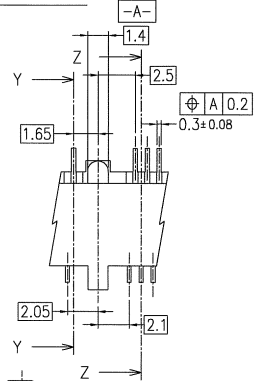
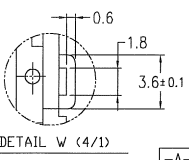
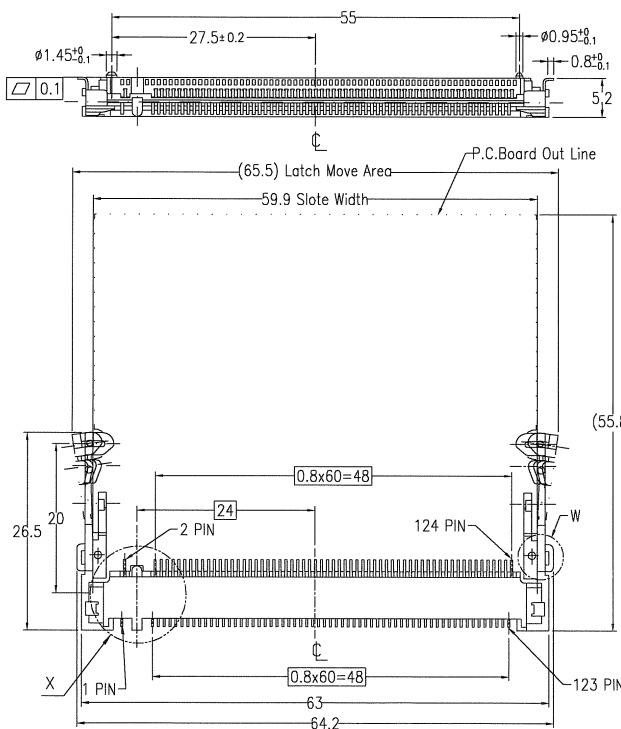


FCI CONFIDENTIAL  
 This document is the property of and embodies CONFIDENTIAL and PROPRIETARY information of FCI. No part of the information shown on this document may be used in any way or disclosed to others without the written consent of FCI.  
 Copyright FCI

PRODUCT NO.	Soldering area	Ground plate
54900-001LF	Au Flash over Ni	Au Flash over Ni



NOTE

- MATERIAL  
 Housing : High temperature therm plastic (UL94-V0), Color : Black  
 Terminal : Copper alloy  
 Ground plate : Copper alloy
- FINISH  
 Contact area : Gold flash over Nickel  
 Soldering area : See table  
 Ground plate : See table
- OTHER  
 1). This product meets European Union Directives and other country regulations as described in GS-22-008  
 2). The housing will withstand exposure to 260° peak temperature for 10 seconds in a convention, intra-red or vapor phase reflow oven.

itr	description	ecn no	dr	date	surface	tolerance	projection	product family	CODE
---	---	---	---	---	ISO 1302	ISO 406	ISO 1101	50TF -MEMORY CONNECTORS MINI PCI	JP
A	RELEASED	J10036	SO	1/26/01	tolerances unless otherwise specified	0.X ±0.3	mm	0.8mm Spacing, 124 pos. Socket Connector	
B	ADD_ON_PARTS_NO.	J03-0275	YK	6/24/03	angles	linear 0.XX ±0.3	scale 2:1	Mini-PCI 5.2mm Height	
C	REVISED	J03-0295	YK	7/7/03	0°±1'	0.XXX ±0.3			
D	REVISED	J03-0444	YK	10/31/03	dr	R.SHOUJI 10/2/06			
E	ADD_P/N_--001LF	J05-0536	YK	8/22/05	enrg	R.SHOUJI 10/2/06			
F	ADD_NOTE_3--2)	J05-0745	YK	8/22/05	chr				
G	REVISED	J06-0400	RS	10/2/06	appd				
sheet index	revision sheet	G C	1 2					type Product Customer Drawing	Rev. G

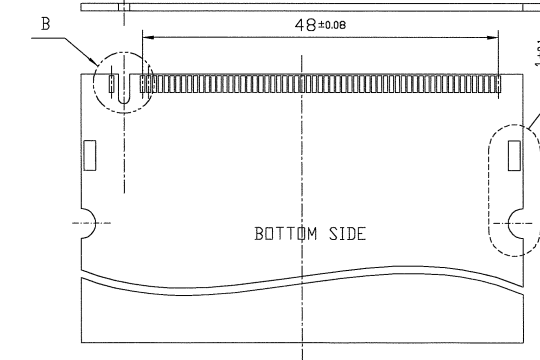
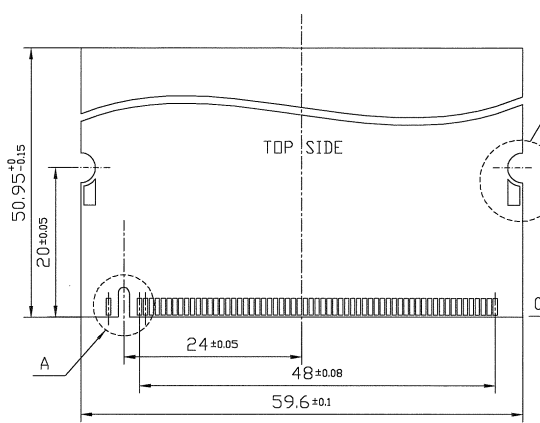
PDM: Rev:G STATUS:Released Printed: Nov 13, 2007

FCI CONFIDENTIAL

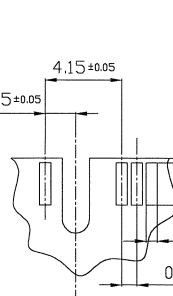
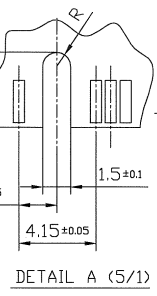


This document is the property of and includes CONFIDENTIAL and PROPRIETARY information of FCI. No part of the information shown on this document may be used in any way or disclosed to others without the prior written consent of FCI. Copyright © FCI

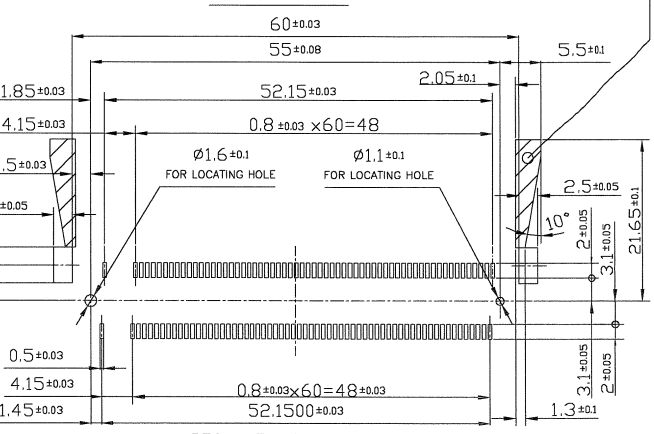
PRODUCT NO.  
54900-001LF



RECOMMENDED PATTERN LAYOUT  
(D/B SIDE)



NO COMPONENT AREA  
LEVER MOVING AREA  
ACCEPT CIRCUIT PATTERN



RECOMMENDED PATTERN LAYOUT  
(CONNECTOR MOUNTING SIDE)

mat'l. code	---	surface	ISO 1302	tolerance	ISO 406	projection	product family	CODE
ISO 1101	tolerances unless otherwise specified	ISO 1101	50TF - MEMORY CONNECTORS MINI PCI	JP				
ltr	description	ecn no	dr	date	angles	linear	title	
A	RELEASED	J10036	SO	1/26/01	0° ± 1'	0.X ±0.10	Mini-PCI 124 Socket Conn.	
B	ADD_P/NL-001LF	J05-0536	YK	8/22/05		0.XX ±0.05		
C	REVISED	J06-0400	R.S	10/3/06		0.XXX ±0.03		
dr	R.SHOUJI			10/3/06			dwg no	sheet 2 of 2 size
enrg	R.SHOUJI			10/3/06			54900	A3
chr								
appd								
sheet index	revision sheet						type	Product Customer Drawing
							Rev.	