

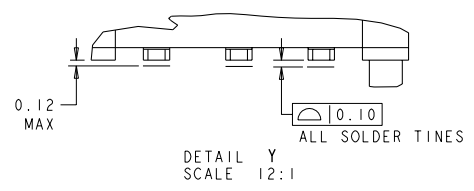
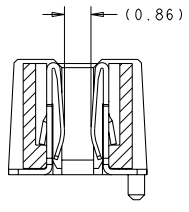
P/N 6651712-1
AS SHOWN

LOC	DIST	REVISIONS			
P	LYR	DESCRIPTION	DATE	BY	APPR
GP	00				
C		REV PER ECO-08-028530	30JAN2009	RG	PD

- PART NUMBER CHANGES AND/OR DESIGN CHANGES AFFECTING ITEM INTERCHANGEABILITY REQUIRE PRIOR TYCO ELECTRONICS APPROVAL AND AUTHORIZATION BY REVISION TO THIS DRAWING.
- MATERIAL:
INSULATORS - THERMOPLASTIC, GLASS REINFORCED, COLOR: BLACK
UL94V-0 FLAMMABILITY RATED
CONTACT - COPPER ALLOY
- FINISH:
CONTACT - GOLD PLATE 0.76 μ m MIN THK. OVER
NICKEL 1.27 μ m MIN THK.
SOLDER PADS - TIN PLATE 3.05 - 3.81 μ m THK. OVER
NICKEL 1.27 μ m MIN THK.
- ITEMS PROVIDED TO THIS SPECIFICATION TO BE PERMANENTLY IDENTIFIED PER THE FOLLOWING IDENTIFIER:
YEAR WEEK

TYCO ELECTRONICS P/N DATE CODE (e.g. 0325)
XXXXXX-X XXXX

- THIS CONNECTOR MATES WITH BLADE CONNECTOR P/N 6651711-1 AND 1926785-1



W/VACUUM CAP	6651712-2
INDIVIDUAL	6651712-1
DESCRIPTION	PART NO.

TYCO ELECTRONICS CORPORATION		DATE	30 JAN 2009	Tyco Electronics Harrisburg, PA 17105-3608
P/N 6651712-1		BY	HAZGRZYBOWSKI	
DIMENSIONS:		APPROVED	30 JAN 2009	NAME CHAU PERCHERRE
mm		PRODUCT SPEC		
TOLERANCES UNLESS OTHERWISE SPECIFIED:		APPLICATION SPEC		SIZE CASE CODE DRAWING NO A200779-6651712
0 PLC \pm .5		RESTRICTED TO		
1 PLC \pm .25		SCALE	6:1	SHEET OF 2 REV C
2 PLC \pm .125				
3 PLC \pm .075				
4 PLC \pm .05				
ANGLES \pm .02				
FINISH				
MATERIAL				
CUSTOMER DRAWING				

4

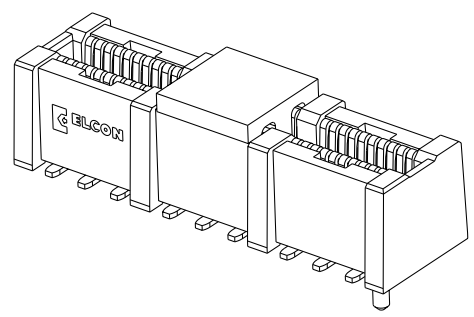
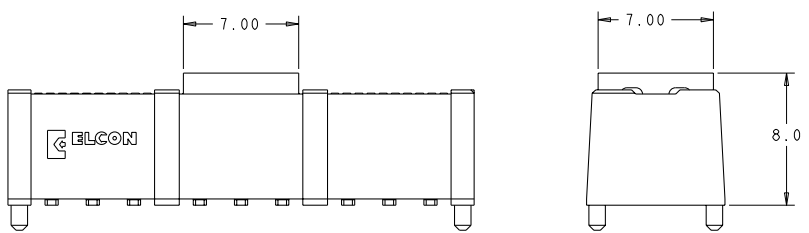
3

2

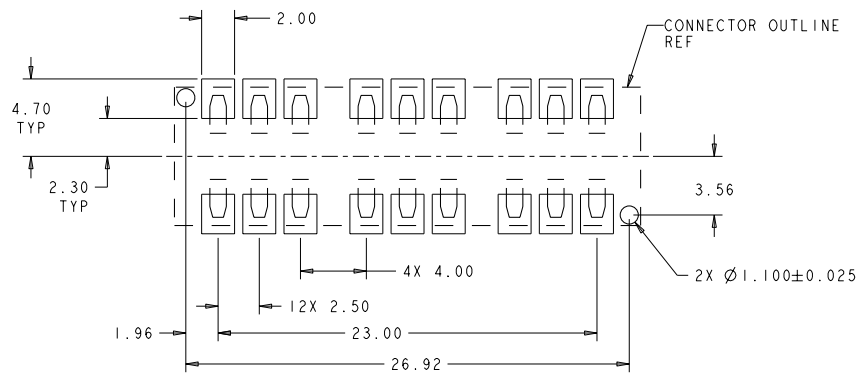
1

THIS DRAWING IS UNPUBLISHED. RELEASED FOR PUBLICATION BY TYCO ELECTRONICS CORPORATION. ALL RIGHTS RESERVED. COPYRIGHT 20

LOC	DIST	REVISIONS			
P	LYR	DESCRIPTION	DATE	BY	APPR
-	-	SEE SHEET 1	-	-	-



P/N 6651712-2
 W/ VACUUM CAP
 READY FOR TAPE AND REEL



SOLDER LAND GUIDELINES
 SOCKET CONNECTOR

<small>TOP DRAWING IS UNPUBLISHED. RELEASED FOR PUBLICATION BY TYCO ELECTRONICS CORPORATION. ALL RIGHTS RESERVED. COPYRIGHT 20</small>		DWN 30 JAN 2009 HAZGRZBROSKI CD P. DAMATO APD CHAU PERCHERRE	Tyco Electronics Harrisburg, PA 17105-3608
DIMENSIONS: mm	TOLERANCES UNLESS OTHERWISE SPECIFIED: 0 PLC ±.5 1 PLC ±.5 2 PLC ±.25 3 PLC ±.25 4 PLC ±.25 ANGLES ±.2	NAME SOCKET CONNECTOR ASSEMBLY SURFACE MOUNT MC-PSS0, MINI CROWN EDGE	SHEET CASE CODE DRAWING NO RESTRICTED TO A200779 ©-6651712 -
MATERIAL	FINISH	WEIGHT	CUSTOMER DRAWING
		SCALE 6:1	SHEET 2 OF 2 REV C

AMP 1471-B REV 3/04/2000