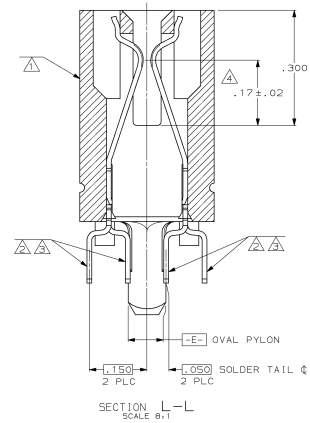
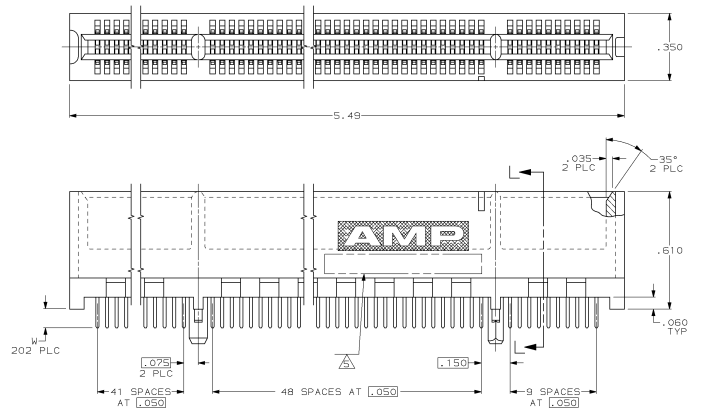
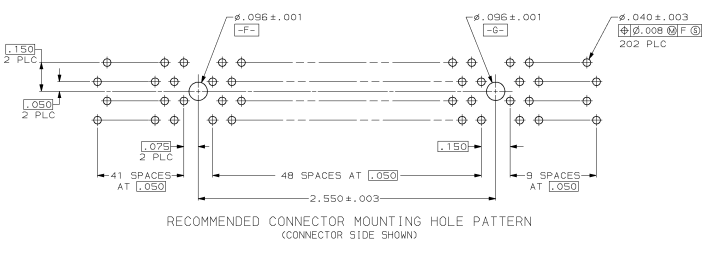
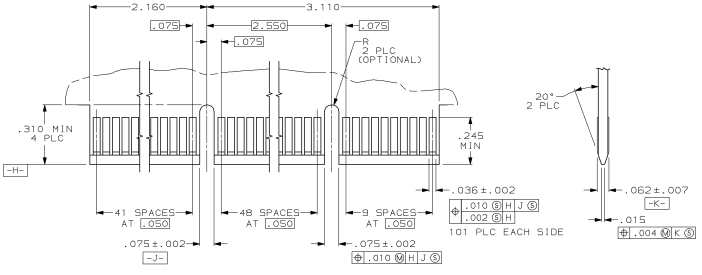
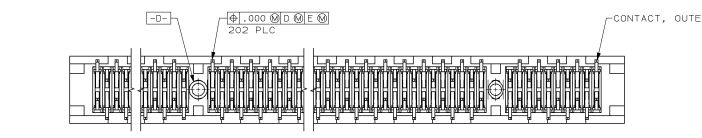


DRAWING MADE IN THIRD ANGLE PROJECTION
 THIS DRAWING IS UNPUBLISHED. RELEASED FOR PUBLICATION
 © copyright 1981 BY AMP INCORPORATED. ALL INTERNATIONAL RIGHTS RESERVED.

REV	DATE	BY	CHK	APPD	DESCRIPTION	DATE	APPD
B	3/91	MB			REDRAWN PER AD-5103		
C	4/94	MB			REVISED PER AD6120		
D	10/00	MB			ADDED -3 PER 92-5063-043		
E	6/14/94	MB			REVISED PER 0010-0072-96		
F	8/29/94	MB			REVISED PER 0010-1532-95		
G	12/17/94	MB			REVISED PER 0010-0825-96		
H	7/26/97	MB			REVISED PER 0430-0281-96		



- △ HOUSING: HIGH TEMPERATURE THERMOPLASTIC. COLOR: BROWN.
- △ CONTACT: PHOSPHOR BRONZE.
- △ CONTACT FINISH: .000100 MIN NICKEL ALL OVER.
- △ .000030 MIN GOLD OVER NICKEL IN CONTACT AREA.
- △ .000100 MIN TIN-LEAD OVER NICKEL ON SOLDER TAILS.
- △ DISTANCE FROM CONTACT POINT TO BOTTOM OF CARD SLOT.
- △ AMP PART NUMBER, DATE CODE AND CSA LOGO MARKED IN APPROXIMATE AREA SHOWN.



OBSOLETE -125 650707-3
 OBSOLETE -14 650707-2
 -10 650707-1
 W PART NUMBER

DO NOT SCALE PRINT. UNLESS SPECIFIED DIMENSIONS IN mm (INCHES) TOLERANCES ON 3' PLC DEC + .05 INCHES ± 2"	DR 01/24/91 K.L. GUMBERG/AITA	AMP AMP Incorporated Harrisburg, PA 17105-3608
APPD 11-21-91 M. THOMP	NAME	
MATERIAL HOUSING: △ CONTACT: △	PRODUCT SPEC 10B-14034	CONNECTOR ASSEMBLY, 101 DUAL POSITION, .050 SERIES, STANDARD EDGE
FINISH CONTACT: △	APPLICATION SPEC 114-26012 WEIGHT	SIZE D CAGE CODE 00779 DRAWING NO 650707
		SCALE 4:1 SHEET 1 OF 1

CUSTOMER DRAWING