

版数 REV.	年月日 DATE	DCN NO.	変更内容 DESCRIPTION	製図 DR.	担当 CHK.	査閲 APPD.	承認 APPD.
4	9.May.2008	065641	REVISED LABEL	—	Y.HONMA	H.OBIKANE	Y.YAHIRO
5	19.Aug.2008	066398	ADDED ITEM	—	Y.HONMA	H.OBIKANE	Y.YAHIRO
6	29.Jun.2009	067675	ADDED ITEM	—	Y.HONMA	H.OBIKANE	Y.YAHIRO

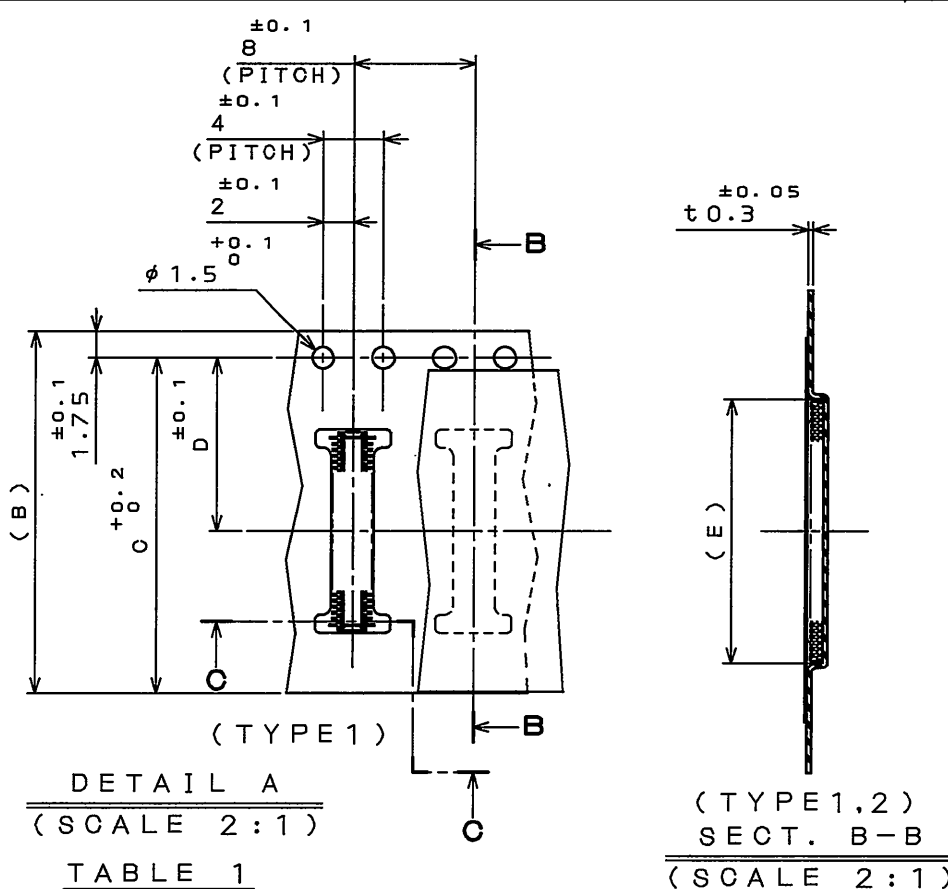
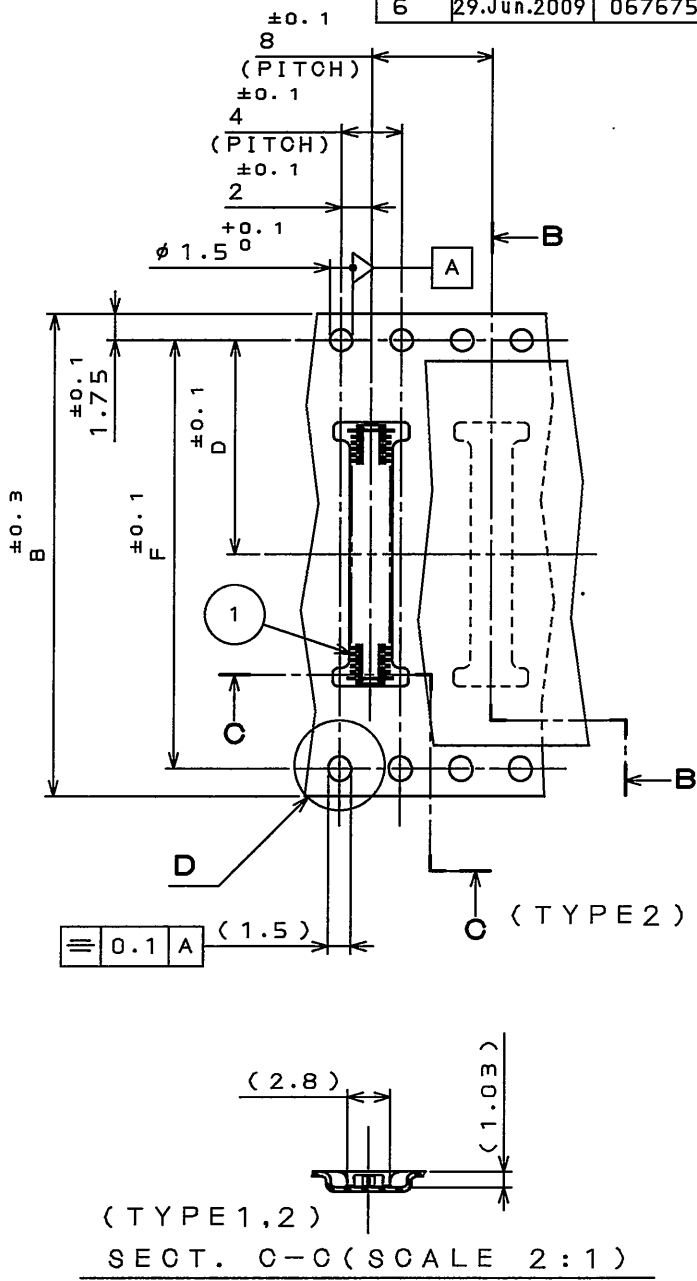
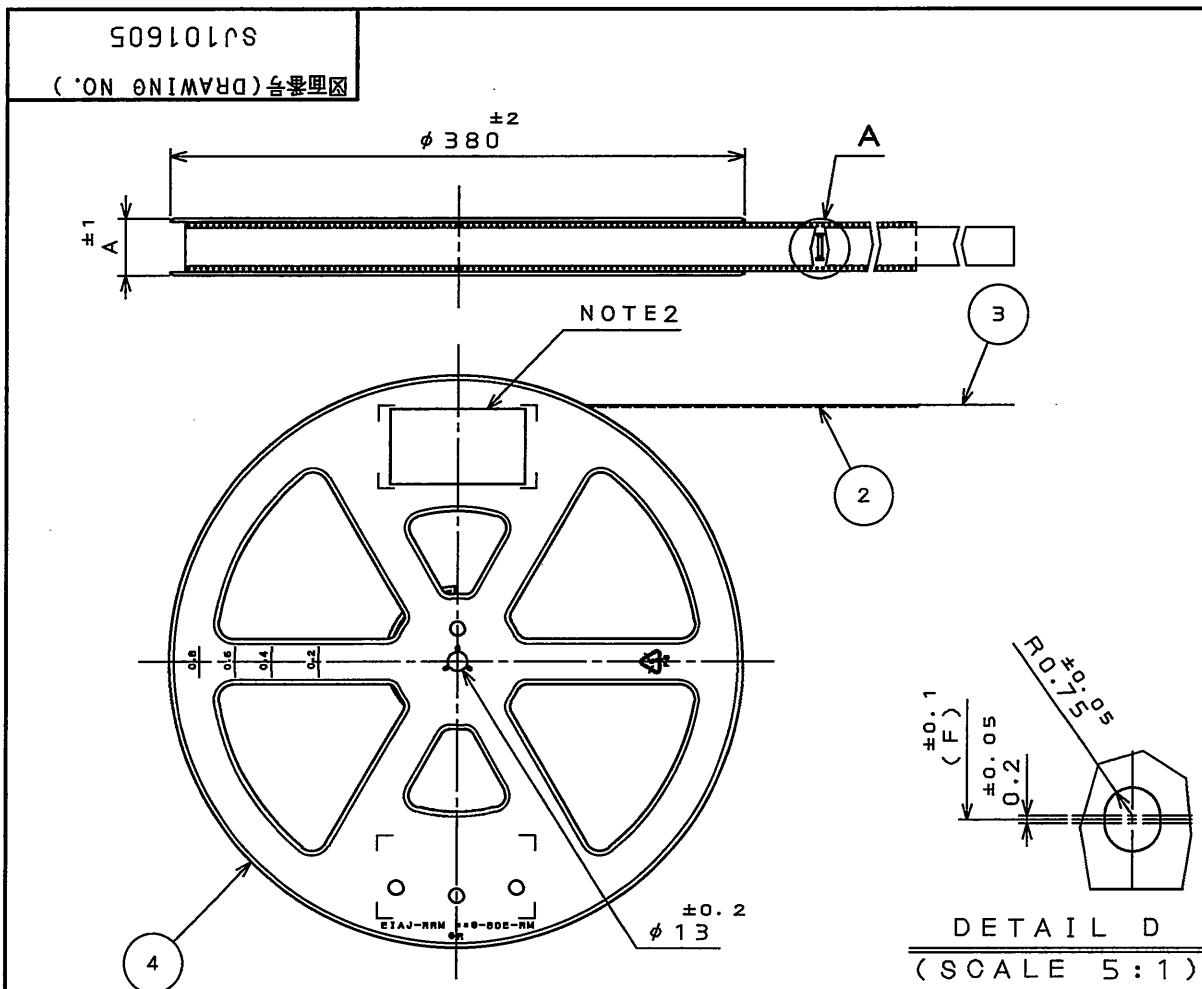
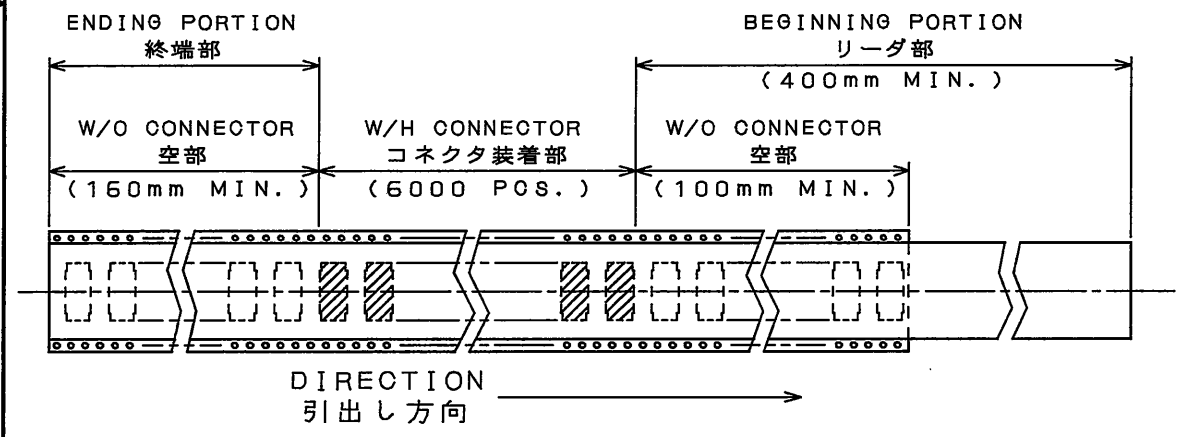


TABLE 1

名称(TITLE)	A	B	C	D	E	F	TYPE
AA03-P016VA2-R6000	17.5	12	10.25	5.5	4.3	—	1
AA03-P020VA2-R6000	21.5	16	14.25	7.5	5.5	—	1
AA03-P022VA2-R6000	21.5	16	14.25	7.5	5.9	—	1
AA03-P024VA2-R6000	21.5	16	14.25	7.5	6.3	—	1
AA03-P030VA2-R6000	21.5	16	14.25	7.5	7.5	—	1
AA03-P036VA2-R6000	21.5	16	14.25	7.5	8.7	—	1
AA03-P040VA2-R6000	29.5	24	22.25	11.5	9.5	—	1
AA03-P042VA2-R6000	29.5	24	22.25	11.5	9.9	—	1
AA03-P050VA2-R6000	29.5	24	22.25	11.5	11.5	—	1
AA03-P064VA2-R6000	29.5	24	22.25	11.5	14.3	—	1
AA03-P070VA2-R6000	29.5	24	22.25	11.5	15.5	—	1
AA03-P080VA2-R6000	37.5	32	—	14.2	17.5	28.4	2



NOTE 1. SUFFIX "-R6000" OF THE PART NUMBER INDICATES THAT 6000 PCS. OF AA03-P***VA2 CONNECTORS ARE ACCOMMODATED IN REEL.
 2. THE LABEL, IN WHICH PART NO., NO. OF CONNECTORS, LOT NO., TAPE WIDTH AND FEED PITCH ARE MARKED IS TO BE ATTACHED ON THE MAGAZINE AS SHOWN.
 3. REFER TO THE DRAWING SJ101604 (AA03-P***VA2) FOR THE DIMENSIONS OF THE CONNECTOR.

現品ラベル/ARTICLE LABEL

品名(DESCRIPTION) AA03-P***VA2-R6000

数量(Q'ty) 6000

図番(PART No.) SJ101605

ITEM NO

Lot No.

ECode: T89808

2008/04/25

MADE IN JAPAN

Japan Aviation Electronics Industry, Ltd.

(NOTE 2)

(***: NO. OF CONTACTS)
 (***: WIDTH OF CARRIER TAPE)

4	REEL リール	1	PS				
3	COVER TAPE カバーテープ	—	PET, PE				
2	CARRIER TAPE キャリアテープ	—	PS				
1	CONNECTOR コネクタ	6000					AA03-P***VA2 SJ101604 (NOTE3)
符号 NO.	名称 DESCRIPTION	個数 QTY.	材料 MATERIAL	仕上 FINISH	備考 REMARKS		
仕様書(SPECIFICATION) JACS-1740		第1版(ORIGINAL DATE) 3.Aug.2004		尺度(SCALE) 1:5	シリーズ(SERIES) AA03	日本航空電子工業株式会社 JAPAN AVIATION ELECTRONICS INDUSTRY, LTD.	
公差(GENERAL TOLERANCE)		製図 DR.		名称(TITLE) AA03 -P***VA2 -R6000		図面番号(DRAWING NO.) SJ101605	
寸法(DIMENSION)		担当 CHK.		質量(MASS)			
角度(ANGLES)		査閲 APPD.					
. ±0.8 .X ±0.4 .XX ±0.1 .XXX ±		承認 APPD.					
		S.NAKAJIMA					
		T.ISHIKAWA					
		O.HASHIGUCHI					

LEAD FREE この製品は鉛フリー品です

DOF-0-212E(03.08)

SIZE 6