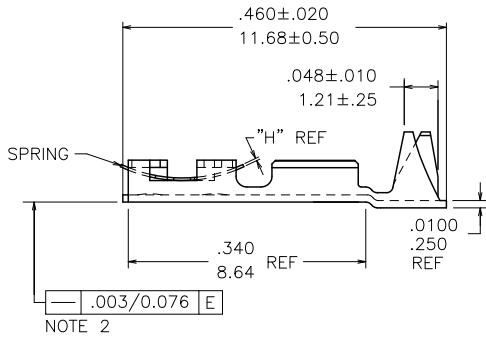
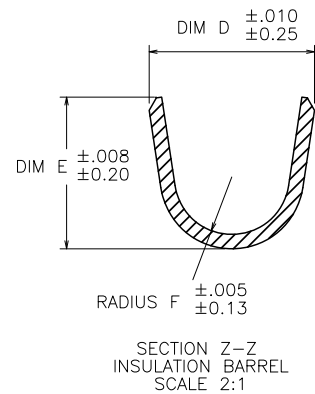
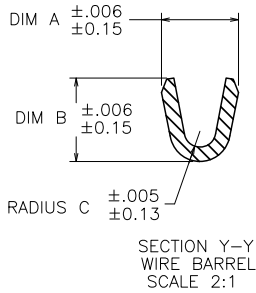
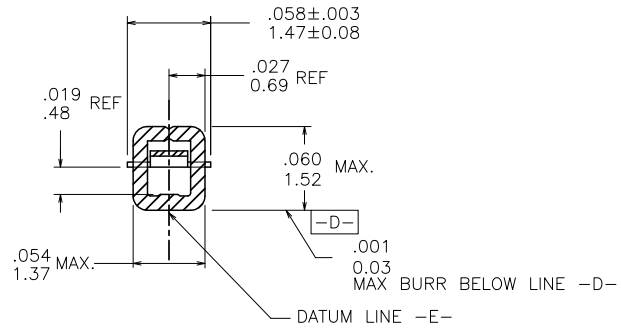
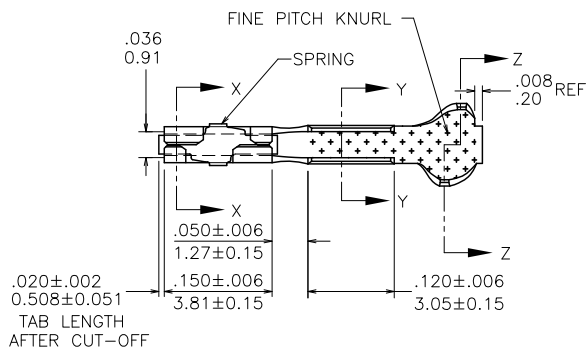


PRODUCT NUMBER
SEE SHEET 3



| | | | | | | | |
|-------------|----------|----------|------------|---------------------------------------|--------------|----------------|--------------------------------------|
| mat'l code | | surface | | tolerance | projection | product family | |
| SEE TABLE | | ✓ | | | | PV TERMINALS | |
| lir | ec'n no | dr | date | tolerances unless otherwise specified | INCH/MM | title | |
| AG | v07-0218 | HTB | 2007-03-16 | angles | | scale 5:1 | MINI PV™ RECEPTACLE CRIMP TO WIRE |
| AH | v08-0113 | HTB | 2008-03-26 | linear | FCJ | dwg no | sheet 1 of 6 |
| AJ | f08-0159 | HTB | 2008-04-16 | | | 47212 | A3 |
| AK | f08-0189 | HTB | 2008-06-25 | dr | type | | Product Customer Drawing |
| AL | v08-0510 | HTB | 2008-12-02 | eng'r | T. BREWBAKER | | 2006-04-18 |
| AM | v10-0359 | HTB | 2010-09-16 | chr | T. BREWBAKER | | 2006-04-18 |
| sheet index | | revision | AM | AM | AM | AM | AM |
| 1 | 2 | 3 | 4 | 5 | 6 | | |

| PRODUCT NUMBER SEE SHEET 3 | WIRE BARREL | | | INSULATION BARREL | | | | RECOMMENDED HANDTOOL FOR LOOSE PIECE APPLICATION | |
|-------------------------------|--------------|-----------|-----------|-------------------|------------------------------|-----------|-----------|---|----------|
| | AWG RANGE | DIM A | DIM B | RADIUS C | INSULATION DIAMETER RANGE | DIM D | DIM E | | RADIUS F |
| | 18-20 | .104/2.64 | .104/2.64 | .021/.53 | .042/1.07-.103/2.62 | .139/3.53 | .120/3.05 | .050/1.27 | HT-0073 |
| | 22-26 | .070/1.78 | .070/1.78 | .017/.43 | .036/.91-.103/2.62 | .139/3.53 | .120/3.05 | .050/1.27 | HT-0095 |
| | 28-32 | .054/1.37 | .058/1.47 | .011/.28 | .028/.71-.054/1.37 | .115/2.92 | .105/2.67 | .040/1.02 | |

NOTES:

1. TERMINAL MATES WITH $.025 \pm .002 / 0.64 \pm 0.05$ SQUARE OR ROUND PIN.
- ② WHEN MEASURED ALONG DATUM -E- WITHIN $.340 / 8.64$ REF DIM.
3. PRODUCT SPECIFICATION: BUS-12-067.
APPLICATION SPECIFICATIONS:
TA-75: TERMINAL DATA FOR USE WITH MINI LATCH HOUSING.
TA-146: TERMINAL DATA FOR CONTACTS NOT USED IN HOUSINGS.
TA-210: TERMINAL DATA FOR CONTACTS USED WITH MINI ROD HOUSINGS.
TA-228: APPLICATIONS USING 20 AWG WIRE.
TA-531: INSTALLING AND REMOVING TERMINALS.
- ④ PRODUCT MEETS EUROPEAN UNION DIRECTIVES AND OTHER COUNTRY REGULATIONS AS DESCRIBED IN GS-22-008.
5. THIS PRODUCT IS NOT INTENDED TO BE EXPOSED TO MANUFACTURING SOLDERING PROCESSES.
- ⑥ THIS PRODUCT HAS 100% TIN PLATING IN THE INTERFACE AND HAS NOT BEEN TESTED FOR WHISKER GROWTH IN ALL INTERCONNECT ENVIRONMENTS.
- ⑦ REMAINDER OF TOP OF PART TO BE GOLD FLASH OVER $50 \mu'' / 1.27 \mu\text{m}$ NICKEL. BACKSIDE OF TERMINALS TO BE PLATED WITH $30 \mu'' / 0.76 \mu\text{m}$ NICKEL ONLY.

| | | | | | |
|-------------|----------------|---------|-----------|---------------------------------------|--------------------------------------|
| mat'l code | SEE TABLE | surface | tolerance | projection | product family |
| tr | ecm no | dr | date | tolerances unless otherwise specified | title |
| AM | | | | angles | MINI PV™ RECEPTACLE CRIMP TO WIRE |
| | | | | linear | |
| | | | | dr T. BREWBAKER 2006-04-18 | scale 1:1 |
| | | | | engr T. BREWBAKER 2006-04-18 | FCJ |
| | | | | chr T. BREWBAKER 2006-04-18 | dwg no 47212 sheet 2 of 6 size A3 |
| | | | | appd T. BREWBAKER 2006-04-18 | type Product Customer Drawing |
| sheet index | revision sheet | | | | |

PDM: Rev:AM STATUS: Released Printed: May 26, 2011

| MATERIAL & PLATING | | SPRING THICKNESS DIM H±.0005/0.012 | AWG RANGE | REELED NOTE 4 | LOOSE NOTE 4 | PLATING AVAILABILITY | | | | | | | | | |
|--|--------------|---------------------------------------|--------------|------------------|-----------------|----------------------|--------|------|--------|------|--------|-----|------|------|--|
| 1/4 HARD BRASS BODY | Be/Cu SPRING | | | | | -000 | -000LF | -001 | -001LF | -002 | -002LF | | | | |
| CONTACT AREA UNDERPLATING: 50µ"/1.27µ Ni CONTACT AREA: 15µ"/0.38µ Au INSIDE BOX AREA: -000LF Au FLASH -001LF 15µ"/0.38µ Au -002LF 6µ"/0.15µ Au REMAINDER: -000LF SEE NOTE 7 -001LF 15µ"/0.38µ Au -002LF Au FLASH | Au FLASH | .0035/0.089 | 18-20 | 48241 | 48250 | NO | YES | NO | NO | NO | NO | | | | |
| | | | 22-26 | 48242 | 48251 | NO | YES | NO | NO | NO | NO | | | | |
| | | | 28-32 | 48243 | 48252 | NO | YES | NO | NO | NO | NO | | | | |
| | | .0048/0.122 | Au FLASH | .0035/0.089 | 18-20 | 48244 | 48253 | NO | YES | NO | NO | NO | NO | | |
| | | | | | 22-26 | 48245 | 48254 | NO | YES | NO | NO | NO | NO | | |
| | | | | | 28-32 | 48246 | 48255 | NO | YES | NO | NO | NO | NO | | |
| | | .0058/0.147 | Au FLASH | .0048/0.122 | 18-20 | 94011 | 94014 | NO | NO | NO | NO | NO | NO | OBS. | |
| | | | | | 22-26 | 94012 | 94015 | NO | NO | NO | NO | NO | NO | OBS. | |
| | | | | | 28-32 | 94013 | 94016 | NO | NO | NO | NO | NO | NO | OBS. | |
| | | .0065/0.165 | Au FLASH | .0058/0.147 | 18-20 | 48247 | 48256 | NO | YES | NO | NO | NO | NO | | |
| | | | | | 22-26 | 48248 | 48257 | NO | YES | NO | NO | NO | NO | | |
| | | | | | 28-32 | 48249 | 48258 | NO | YES | NO | NO | NO | NO | | |
| CONTACT AREA UNDERPLATING: 50µ"/1.27µ Ni CONTACT AREA: 30µ"/0.76µ Au INSIDE BOX AREA: -000LF Au FLASH -001LF 30µ"/0.76µ Au -002LF 8µ"/0.2µ Au REMAINDER: -000LF SEE NOTE 7 -001LF 30µ"/0.76µ Au -002LF Au FLASH | Au FLASH | .0035/0.089 | 18-20 | 48231 | 48266 | NO | YES | NO | NO | NO | NO | | | | |
| | | | 22-26 | 48049 | 48235 | NO | YES | NO | NO | NO | NO | YES | | | |
| | | | 28-32 | 48048 | 48238 | NO | YES | NO | NO | NO | NO | YES | | | |
| | | .0048/0.122 | Au FLASH | .0035/0.089 | 18-20 | 48047 | 48232 | NO | YES | NO | NO | NO | YES | | |
| | | | | | 22-26 | 48046 | 48234 | NO | YES | NO | NO | NO | NO | YES | |
| | | | | | 28-32 | 48045 | 48237 | NO | YES | NO | NO | NO | NO | YES | |
| | | .0058/0.147 | Au FLASH | .0048/0.122 | 18-20 | 94017 | 94019 | NO | NO | NO | NO | NO | NO | OBS. | |
| | | | | | 22-26 | 94018 | 94020 | NO | NO | NO | NO | NO | NO | OBS. | |
| | | | | | 28-32 | 93259 | 94021 | NO | NO | NO | NO | NO | NO | OBS. | |
| | | .0065/0.165 | Au FLASH | .0058/0.147 | 18-20 | 48052 | 48233 | NO | YES | NO | NO | NO | YES* | | |
| | | | | | 22-26 | 48051 | 48236 | NO | YES | NO | NO | NO | YES | | |
| | | | | | 28-32 | 48050 | 48239 | NO | YES | NO | NO | NO | YES | | |

* LOOSE PIECE NOT AVAILABLE

| | | | | | |
|-------------|----------------|---------|-----------|---------------------------------------|-------------------------|
| mat'l code | SEE TABLE | surface | tolerance | projection | product family |
| tr | ecrn no | dr | date | tolerances unless otherwise specified | title |
| AM | | | | angles | linear |
| | | | | linear | linear |
| | | | | dr | T. BREWBAKER 2006-04-18 |
| | | | | engr | T. BREWBAKER 2006-04-18 |
| | | | | chr | T. BREWBAKER 2006-04-18 |
| | | | | appd | T. BREWBAKER 2006-04-18 |
| sheet index | revision sheet | | | | |

| | | | |
|---------|-----------|----------------|--------------------------------------|
| INCH/MM | scale 1:1 | product family | PV TERMINALS |
| | | title | MINI PV™ RECEPTACLE CRIMP TO WIRE |
| | | dwg no | 47212 |
| | | sheet | 3 of 6 |
| | | size | A3 |
| | | type | Product Customer Drawing |

| MATERIAL & PLATING | | SPRING THICKNESS DIM H±.0005/0.012 | AWG RANGE | REELED NOTE 4 | LOOSE NOTE 4 | PLATING AVAILABILITY | | | | | | | | |
|--|--------------|---------------------------------------|--------------|------------------|-----------------|----------------------|--------|------|--------|------|--------|------|-----|------|
| 1/4 HARD BRASS BODY | Be/Cu SPRING | | | | | -000 | -000LF | -001 | -001LF | -002 | -002LF | | | |
| CONTACT AREA UNDERPLATING: 50µ"/1.27µ Ni CONTACT AREA: 40µ"/1.02µ Au INSIDE BOX AREA: -000LF Au FLASH -001LF 8µ"/0.2µ Au -002LF 8µ"/0.2µ Au REMAINDER: -000LF SEE NOTE 7 -001LF 8µ"/0.2µ Au -002LF Au FLASH | Au FLASH | .0035/0.089 | 18-20 | 48276 | N/A | NO | NO | NO | NO | NO | YES | | | |
| | | | 22-26 | 47457 | 47743 | NO | YES | NO | YES | NO | YES | | | |
| | | | 28-32 | 47456 | 47742 | NO | YES | NO | YES | NO | YES | | | |
| | | .0048/0.122 | Au FLASH | .0035/0.089 | 18-20 | 47441 | 47713 | NO | YES | NO | YES | NO | YES | |
| | | | | | 22-26 | 47439 | 47712 | NO | YES | NO | YES | NO | YES | |
| | | | | | 28-32 | 47437 | 47711 | NO | YES | NO | YES | NO | YES | |
| | | .0058/0.147 | Au FLASH | .0048/0.122 | 18-20 | 94022 | 94025 | NO | NO | NO | NO | NO | NO | OBS. |
| | | | | | 22-26 | 94023 | 94026 | NO | NO | NO | NO | NO | NO | OBS. |
| | | | | | 28-32 | 94024 | 94027 | NO | NO | NO | NO | NO | NO | OBS. |
| | | .0065/0.165 | Au FLASH | .0058/0.147 | 18-20 | 47566 | 47746 | NO | YES | NO | YES | NO | YES | |
| | | | | | 22-26 | 47565 | 47745 | NO | YES | NO | YES | NO | YES | |
| | | | | | 28-32 | 47564 | 47744 | NO | YES | NO | YES | NO | YES | |
| DISCONTINUED | | | | 48191 | 48194 | | | | | | | | | |
| DISCONTINUED | | | | 48192 | 48195 | | | | | | | | | |
| DISCONTINUED | | | | 48193 | 48196 | | | | | | | | | |
| CONTACT AREA UNDERPLATING: 50µ"/1.27µ Ni CONTACT AREA: 75µ"/1.91µ Au INSIDE BOX AREA: -000LF Au FLASH -001LF 75µ"/1.91µ Au -002LF 30µ"/0.76µ Au REMAINDER: -000LF SEE NOTE 7 -001LF 75µ"/1.91µ Au -002LF 15µ"/0.38µ Au | Au FLASH | .0035/0.089 | 18-20 | 47785 | 48014 | NO | YES | NO | NO | NO | NO | OBS. | | |
| | | | 22-26 | 47784 | 48015 | NO | NO | NO | NO | NO | NO | OBS. | | |
| | | | 28-32 | 47783 | 48013 | NO | NO | NO | NO | NO | NO | OBS. | | |
| | | .0048/0.122 | Au FLASH | .0035/0.089 | 18-20 | 47220 | 47707 | NO | NO | NO | NO | NO | NO | OBS. |
| | | | | | 22-26 | 47216 | 47706 | NO | YES | NO | NO | NO | NO | OBS. |
| | | | | | 28-32 | 47212 | 47705 | NO | YES | NO | NO | NO | NO | OBS. |
| | | .0058/0.147 | Au FLASH | .0048/0.122 | 18-20 | 94028 | 94031 | NO | NO | NO | NO | NO | NO | OBS. |
| | | | | | 22-26 | 94029 | 94032 | NO | NO | NO | NO | NO | NO | OBS. |
| | | | | | 28-32 | 94030 | 94033 | NO | NO | NO | NO | NO | NO | OBS. |

| | | | | | |
|-------------|----------------|---------|-----------|---|--------------------------------------|
| mat'l code | SEE TABLE | surface | tolerance | projection | product family |
| tr | ecm no | dr | date | tolerances unless otherwise specified | title |
| AM | | | | angles linear | MINI PV™ RECEPTACLE CRIMP TO WIRE |
| | | | | XXX±.01/XX±.3 XXXX.005/XX±.13 XXXX-0020/XXXX001 | sheet 4 of 6 size |
| | | | | dr T. BREWBAKER 2006-04-18 | 47212 A3 |
| | | | | engr T. BREWBAKER 2006-04-18 | type Product Customer Drawing |
| | | | | chr T. BREWBAKER 2006-04-18 | |
| | | | | appd T. BREWBAKER 2006-04-18 | |
| sheet index | revision sheet | | | | |

PDM: Rev:AM STATUS: Released Printed: May 26, 2011

| MATERIAL & PLATING | | SPRING THICKNESS DIM H±.0005/0.012 | AWG RANGE | REELED NOTE 4 | LOOSE NOTE 4 | PLATING AVAILABILITY | | | | | | | |
|---|--------------|--|--------------|------------------|-----------------|----------------------|--------|------|--------|------|------|--------|--|
| 1/4 HARD BRASS BODY | Be/Cu SPRING | | | | | -000 | -000LF | -001 | -001LF | -002 | | -002LF | |
| PRE-PLATED: UNDERPLATING: 50μ"/1.27μ" Ni OVERPLATING: 100-200μ"/2.54-5.08μ" 60/40 TIN LEAD "LF NOT AVAILABLE" SEE LEAD-FREE EQUIVALENTS BELOW | Sn PLATED | .0035/0.089 | 22-26 | 47445 | 47747 | NO | NO | NO | NO | NO | OBS. | | |
| | | | 28-32 | 47446 | 47748 | NO | NO | NO | NO | NO | OBS. | | |
| | | .0048/0.122 | 18-20 | 47221 | 47716 | NO | NO | NO | NO | NO | OBS. | | |
| | | | 22-26 | 47217 | 47715 | NO | NO | NO | NO | NO | OBS. | | |
| | | .0058/0.147 | 18-20 | 94034 | 94037 | NO | NO | NO | NO | NO | OBS. | | |
| | | | 22-26 | 94035 | 94038 | NO | NO | NO | NO | NO | OBS. | | |
| | | .0065/0.165 | 18-20 | 47648 | 47749 | NO | NO | NO | NO | NO | OBS. | | |
| | | | 22-26 | 47649 | 47750 | NO | NO | NO | NO | NO | OBS. | | |
| | | | | | 28-32 | 47650 | 47751 | NO | NO | NO | NO | OBS. | |
| | | | | | 22-26 | 47649 | 47750 | NO | NO | NO | NO | NO | |
| | | PRE-PLATED: -000LF 100-160μ" 2.54-4.06μ" Sn (LEAD-FREE) NOTE 6 | Sn PLATED | .0035/0.089 | 22-26 | 47445 | 47747 | NO | YES | NO | NO | NO | |
| | | | | | 28-32 | 47446 | 47748 | NO | YES | NO | NO | NO | |
| .0048/0.122 | 18-20 | | | 47221 | 47716 | NO | YES | NO | NO | NO | | | |
| | 22-26 | | | 47217 | 47715 | NO | YES | NO | NO | NO | | | |
| .0058/0.147 | 18-20 | | | 94034 | 94037 | NO | NO | NO | NO | NO | OBS. | | |
| | 22-26 | | | 94035 | 94038 | NO | NO | NO | NO | NO | OBS. | | |
| .0065/0.165 | 18-20 | | | 47648 | 47749 | NO | YES | NO | NO | NO | | | |
| | 22-26 | | | 47649 | 47750 | NO | YES | NO | NO | NO | | | |
| | | | | | 28-32 | 47650 | 47751 | NO | YES | NO | NO | | |
| | | | | | 22-26 | 47649 | 47750 | NO | YES | NO | NO | NO | |

| | | | | | |
|-------------|----------------|---------|-----------|---------------------------------------|-------------------------|
| mat'l code | SEE TABLE | surface | tolerance | projection | product family |
| tr | ecn no | dr | date | tolerances unless otherwise specified | title |
| AM | | | | angles | linear |
| | | | | linear | linear |
| | | | | dr | T. BREWBAKER 2006-04-18 |
| | | | | engr | T. BREWBAKER 2006-04-18 |
| | | | | chr | T. BREWBAKER 2006-04-18 |
| | | | | appd | T. BREWBAKER 2006-04-18 |
| sheet index | revision sheet | | | | |

| | |
|----------------|--------------------------------------|
| product family | PV TERMINALS |
| title | MINI PV™ RECEPTACLE CRIMP TO WIRE |
| dwg no | 47212 |
| sheet 5 of 6 | size A3 |
| type | Product Customer Drawing |

PDM: Rev:AM STATUS: Released Printed: May 26, 2011

| MATERIAL & PLATING | | SPRING THICKNESS DIM H±.0005/0.012 | AWG RANGE | REELED NOTE 4 | LOOSE-PIECE NOTE 4 | | | |
|---|--------------|---------------------------------------|--------------|------------------|-----------------------|-----------|-----------|------|
| 1/4 HARD BRASS BODY | Be/Cu SPRING | | | | | | | |
| UNDERPLATING: 50u"X1.27u Ni CONTACT AREA: 30u"/0.76u CXT INSIDE BOX AREA: -600 Au FLASH REMAINDER: -600 Au FLASH | Au FLASH | .0035/0.089 | 18-20 | 48231-600 | 48266-600 | OBS. | | |
| | | | 22-26 | 48049-600 | 48235-600 | OBS. | | |
| | | | 28-32 | 48048-600 | 48238-600 | OBS. | | |
| | | CONTINUED | | .0048/0.122 | 18-20 | 48047-600 | 48232-600 | OBS. |
| | | | | | 22-26 | 48046-600 | 48234-600 | OBS. |
| | | | | | 28-32 | 48045-600 | 48237-600 | OBS. |
| | | | | .0058/0.147 | 18-20 | 94017-600 | 94019-600 | OBS. |
| | | | | | 22-26 | 94018-600 | 94020-600 | OBS. |
| | | | | | 28-32 | 93259-600 | 94021-600 | OBS. |
| | | | | .0065/0.165 | 18-20 | 48052-600 | 48233-600 | OBS. |
| | | | | | 22-26 | 48051-600 | 48236-600 | OBS. |
| | | | | | 28-32 | 48050-600 | 48239-600 | OBS. |



Copyright FCJ

| | | | | | |
|-------------|----------------|---------|-----------|---------------------------------------|-------------------------|
| mat'l code | SEE TABLE | surface | tolerance | projection | product family |
| tr | ecm no | dr | date | tolerances unless otherwise specified | PV TERMINALS |
| AM | | | | angles | linear |
| | | | | linear | linear |
| | | | | dr | T. BREWBAKER 2006-04-18 |
| | | | | engr | T. BREWBAKER 2006-04-18 |
| | | | | chr | T. BREWBAKER 2006-04-18 |
| | | | | appd | T. BREWBAKER 2006-04-18 |
| sheet index | revision sheet | | | | |

PDM: Rev:AM STATUS: Released Printed: May 26, 2011