

# EMI Power Line Filter, BA Series



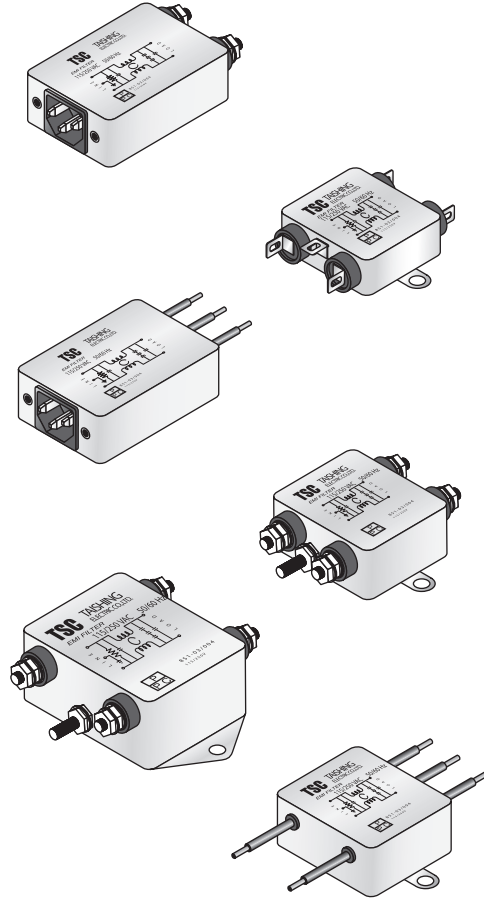
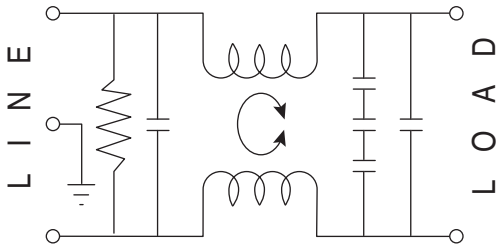
437-01BA1, 437-01BA2, 437-01BA3, 437-01BA4, 437-01BA5, 437-02BA1, 437-02BA2, 437-02BA3, 437-02BA4, 437-02BA5, 437-03BA1, 437-03BA2, 437-03BA3, 437-03BA4, 437-03BA5, 437-05BA1, 437-05BA2, 437-05BA3, 437-05BA4, 437-05BA5, 437-10BA1, 437-10BA2, 437-10BA3, 437-10BA4, 437-10BA6, 437-20BA1, 437-20BA7

EMI Power Line Filter, BA Series

## Introduction:

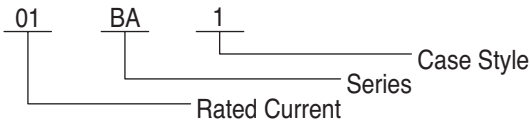
The BA series RFI/EMI power line filters are designed for general purpose to suppress line-to-ground and line-to-line interference. These filters are enclosed with metal cases of various termination styles for mounting on any equipment. The BA series power line filters are ideal for computers and peripheral equipment where pulsed, continuous and/or intermittent EMI interference is present.

## Electrical Schematic:



SPECIFICATIONS	
<b>Rated Voltage:</b>	115/250VAC
<b>Power Line Frequency:</b>	50/60 Hz
<b>Rated Current:</b>	1, 2, 3, 5, 10, and 20 Amps.
<b>Maximum Leakage Current:</b>	Line-to-Ground: @ 115VAC 60Hz 0.5mA @ 250VAC 50Hz 1.0mA
<b>Test Voltage:</b>	Line-to-Ground: 2250VDC, one minute Line-to-Line: 1450VDC, one minute
<b>Operating Temperature:</b>	-25°C to +85°C

## Part Numbering System:



Typical insertion loss (dB):  
Line-to-Ground in 50Ω system.

Current Rating	Frequency (MHz)					
	0.15	0.5	1	5	10	30
1A						
2A	15	30	38	50	50	50
3A						
5A						
10A	8	22	28	42	45	50
20A						

437-01BA1, 437-01BA2, 437-01BA3, 437-01BA4, 437-01BA5, 437-02BA1, 437-02BA2, 437-02BA3, 437-02BA4, 437-02BA5, 437-03BA1, 437-03BA2, 437-03BA3, 437-03BA4, 437-03BA5, 437-05BA1, 437-05BA2, 437-05BA3, 437-05BA4, 437-05BA5, 437-10BA1, 437-10BA2, 437-10BA3, 437-10BA4, 437-10BA6, 437-20BA1, 437-20BA7

Date Last Revised: 9-26-06

Available from Mouser Electronics  
1-800-346-6873  
www.mouser.com

KC-300088

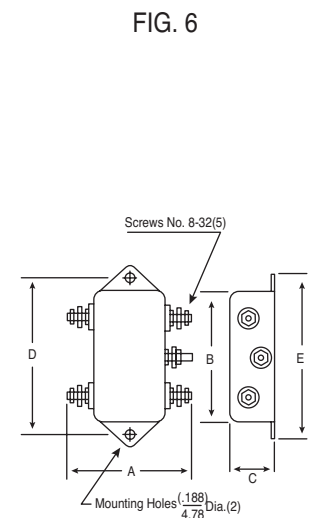
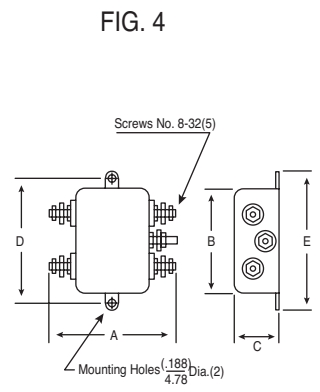
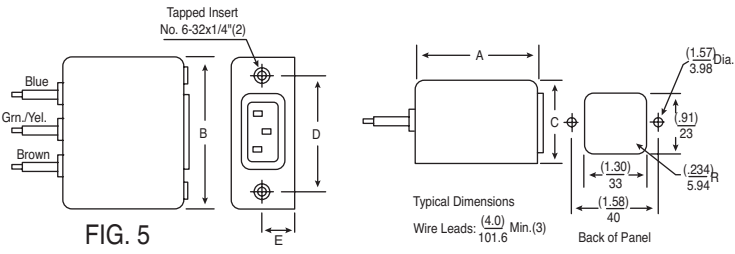
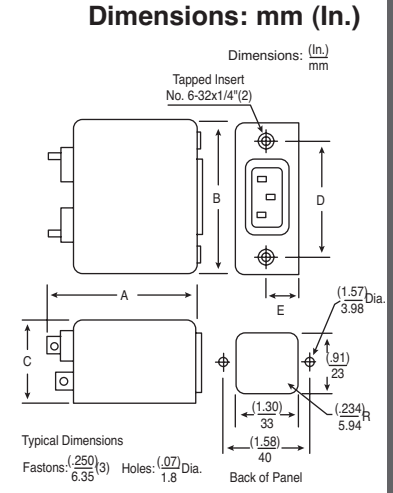
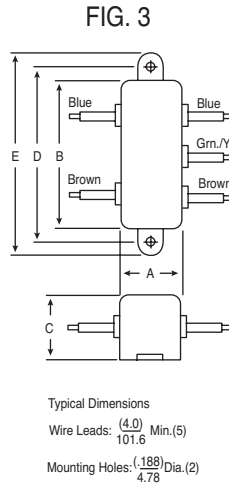
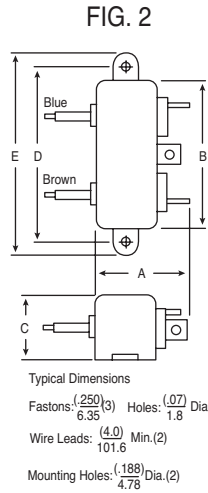
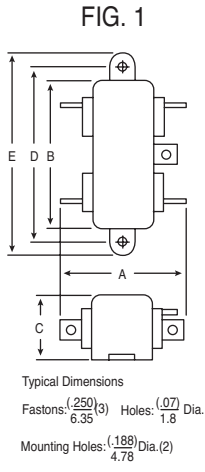
# EMI Power Line Filter, BA Series (Cont)



EMI Power Line Filter, BA Series

437-01BA1, 437-01BA2, 437-01BA3, 437-01BA4, 437-01BA5, 437-02BA1, 437-02BA2, 437-02BA3, 437-02BA4, 437-02BA5, 437-03BA1, 437-03BA2, 437-03BA3, 437-03BA4, 437-03BA5, 437-05BA1, 437-05BA2, 437-05BA3, 437-05BA4, 437-05BA5, 437-10BA1, 437-10BA2, 437-10BA3, 437-10BA4, 437-10BA6, 437-20BA1, 437-20BA7

437-01BA1, 437-01BA2, 437-01BA3, 437-01BA4, 437-01BA5, 437-02BA1, 437-02BA2, 437-02BA3, 437-02BA4, 437-02BA5, 437-03BA1, 437-03BA2, 437-03BA3, 437-03BA4, 437-03BA5, 437-05BA1, 437-05BA2, 437-05BA3, 437-05BA4, 437-05BA5, 437-10BA1, 437-10BA2, 437-10BA3, 437-10BA4, 437-10BA6, 437-20BA1, 437-20BA7



Current Rating	MOUSER STOCK NO.	Figure	Dimensions: mm (In)				
			A (max)	B (max)	C (max)	D*	E (max)
1A	437-01BA1	1	75.7 (2.98)	52.4 (2.06)	23.1 (0.91)	60.4 (2.38)	71.3 (2.81)
	437-01BA2	2	60.8 (2.39)	52.4 (2.06)	23.1 (0.91)	60.4 (2.38)	71.3 (2.81)
	437-01BA3	3	45.9 (1.81)	52.4 (2.06)	23.1 (0.91)	60.4 (2.38)	71.3 (2.81)
	437-01BA4	4	81.4 (3.21)	57.1 (2.25)	32.4 (1.28)	40.1 (1.58)	16.0 (0.63)†
	437-01BA5	5	66.4 (2.61)	57.1 (2.25)	32.4 (1.28)	40.1 (1.58)	16.0 (0.63)†
2A	437-02BA1	1	75.7 (2.98)	52.4 (2.06)	23.1 (0.91)	60.4 (2.38)	71.3 (2.81)
	437-02BA2	2	60.8 (2.39)	52.4 (2.06)	23.1 (0.91)	60.4 (2.38)	71.3 (2.81)
	437-02BA3	3	45.9 (1.81)	52.4 (2.06)	23.1 (0.91)	60.4 (2.38)	71.3 (2.81)
	437-02BA4	4	81.4 (3.21)	57.2 (2.25)	32.4 (1.28)	40.1 (1.58)	16.0 (0.63)†
	437-02BA5	5	66.4 (2.61)	57.2 (2.25)	32.4 (1.28)	40.1 (1.58)	16.0 (0.63)†
3A	437-03BA1	1	75.7 (2.98)	52.4 (2.06)	23.1 (0.91)	60.4 (2.38)	71.3 (2.81)
	437-03BA2	2	60.8 (2.39)	52.4 (2.06)	23.1 (0.91)	60.4 (2.38)	71.3 (2.81)
	437-03BA3	3	45.9 (1.81)	52.4 (2.06)	23.1 (0.91)	60.4 (2.38)	71.3 (2.81)
	437-03BA4	4	81.4 (3.21)	57.2 (2.25)	32.4 (1.28)	40.1 (1.58)	16.0 (0.63)†
	437-03BA5	5	66.4 (2.61)	57.2 (2.25)	32.4 (1.28)	40.1 (1.58)	16.0 (0.63)†
5A	437-05BA1	1	75.7 (2.98)	52.4 (2.06)	23.1 (0.91)	60.4 (2.38)	71.3 (2.81)
	437-05BA2	2	60.8 (2.39)	52.4 (2.06)	23.1 (0.91)	60.4 (2.38)	71.3 (2.81)
	437-05BA3	3	45.9 (1.81)	52.4 (2.06)	23.1 (0.91)	60.4 (2.38)	71.3 (2.81)
	437-05BA4	4	81.4 (3.21)	57.1 (2.25)	32.4 (1.28)	40.1 (1.58)	16.0 (0.63)†
	437-05BA5	5	66.4 (2.61)	57.1 (2.25)	32.4 (1.28)	40.1 (1.58)	16.0 (0.63)†
10A	437-10BA1	1	80.2 (3.23)	52.4 (2.06)	29.4 (1.16)	60.4 (2.38)	71.3 (2.81)
	437-10BA2	2	67.2 (2.65)	52.4 (2.06)	29.4 (1.16)	60.4 (2.38)	71.3 (2.81)
	437-10BA3	3	52.4 (2.06)	52.4 (2.06)	29.4 (1.16)	60.4 (2.38)	71.3 (2.81)
	437-10BA4	4	92.5 (3.64)	57.2 (2.25)	32.4 (1.28)	40.1 (1.58)	16.0 (0.63)†
	437-10BA6	6	87.9 (3.46)	52.4 (2.06)	29.4 (1.16)	60.4 (2.38)	71.3 (2.81)
	437-20BA1	1	82.0 (3.23)	65.0 (2.56)	38.8 (1.53)	74.7 (2.94)	85.1 (3.35)
20A	437-20BA7	7	87.9 (3.46)	65.0 (2.56)	38.8 (1.53)	74.7 (2.94)	85.1 (3.35)

\* Tolerance ± 0.38mm (± 0.015 inch) † Tolerance ± 0.50mm (± 0.020 inch)

Date Last Revised: 9-25-06

Available from Mouser Electronics  
1-800-346-6873  
www.mouser.com

KC-300088