

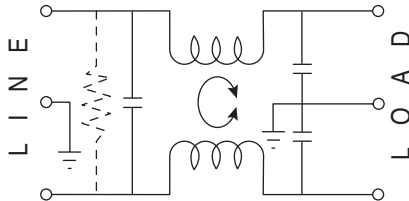
EMI Power Line Filter AE, AF Series



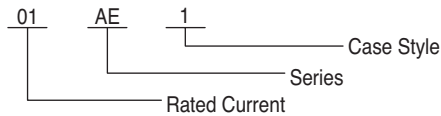
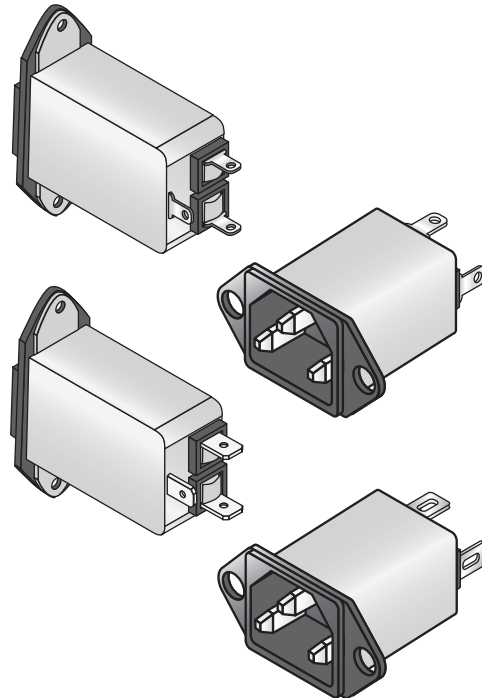
437-01AE1, 437-03AE1, 437-06AE1 437-08AE1, 437-10AE1,
437-01AF1, 437-03AF1, 437-06AF1, 437-08AF1, 437-10AF1

EMI Power Line Filter AE, AF Series

The AB and AC series RF/EMI power line filters are designed for general purpose to reduce line-to-ground (common mode) interference. They are compact, with IEC power line connector, and can be easily mounted on the panel of instruments. These filters meet low leakage requirements while operating on AC lines of 115 to 250 volts 50/60Hz, and are available in current ratings of 1, 3, 6, 8, 10, amps.



Bleeder resistor for part numbers with suffix "R".



Typical insertion loss (dB):
Line-to-Ground in 50 ohm system.

Current Rating	Frequency (MHz)					
	0.15	0.5	1	5	10	30
1A	20	33	40	45	47	50
3A	15	25	30	45	50	53
6A	10	20	25	42	45	50
8A	9	18	23	40	43	48
10A	8	15	20	38	40	45

SPECIFICATIONS	
Rated Voltage:	115/250 VAC
Power Line Frequency:	50/60 Hz
Rated Current:	1, 3, 6, 8, and 10 Amps.
Maximum Leakage Current:	Line-to-Ground @ 115 VAC 60 Hz 0.5 mA @ 250 VAC 50 Hz 1.0 mA
Test Voltage:	Line-to-Ground: 2250 VDC, one minute. Line-to-Line: 1450 VDC, one minute.

437-01AE1, 437-03AE1, 437-06AE1, 437-08AE1, 437-10AE1,
437-01AF1, 437-03AF1, 437-06AF1, 437-08AF1, 437-10AF1

Date Last Revised: 01-22-08

Available from Mouser Electronics
1-800-346-6873 / www.mouser.com

KC- 300087

Specifications are subject to change without notice. No liability or warranty implied by this information. Environmental compliance based on producer documentation.

EMI Power Line Filter AE, AF Series



437-01AE1, 437-03AE1, 437-06AE1, 437-08AE1, 437-10AE1,
437-01AF1, 437-03AF1, 437-06AF1, 437-08AF1, 437-10AF1

EMI Power Line Filter AE, AF Series

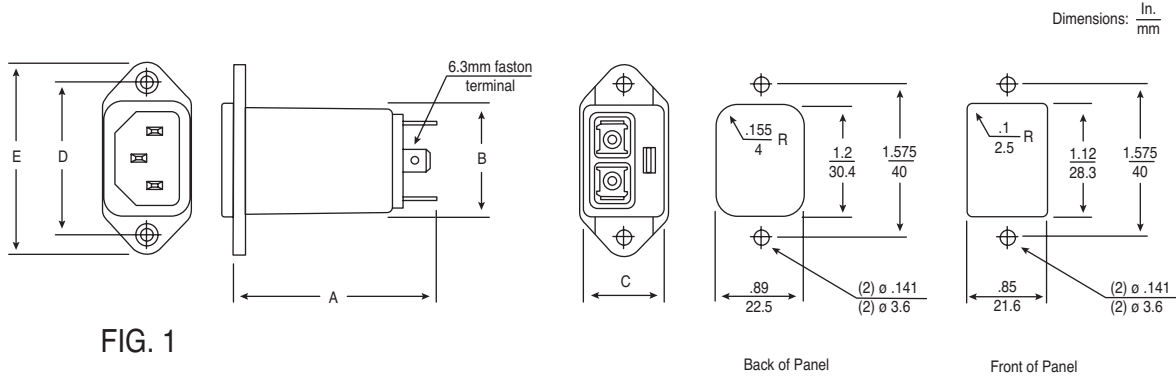


FIG. 1

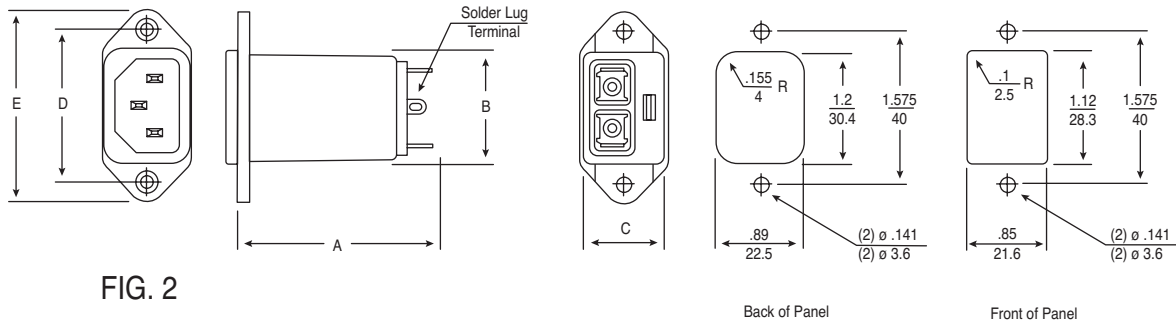


FIG. 2

Current Rating	Part No.	Fig.	Dimensions; mm (IN)									
			A (max)		B (max)		C (max)		D *		E (max)	
1A	437-01AE1	1	55.9	(2.20)	29.2	(1.15)	21	(0.83)	40	(1.57)	50.3	(1.98)
	437-01AF1	2	54.0	(2.13)	29.2	(1.15)	21	(0.83)	40	(1.57)	50.3	(1.98)
3A	437-03AE1	1	55.9	(2.20)	29.2	(1.15)	21	(0.83)	40	(1.57)	50.3	(1.98)
	437-03AF1	2	54.0	(2.13)	29.2	(1.15)	21	(0.83)	40	(1.57)	50.3	(1.98)
6A	437-06AE1	1	55.9	(2.20)	29.2	(1.15)	21	(0.83)	40	(1.57)	50.3	(1.98)
	437-06AF1	2	54.0	(2.13)	29.2	(1.15)	21	(0.83)	40	(1.57)	50.3	(1.98)
8A	437-08AE1	1	55.9	(2.20)	29.2	(1.15)	21	(0.83)	40	(1.57)	50.3	(1.98)
	437-08AF1	2	54.0	(2.13)	29.2	(1.15)	21	(0.83)	40	(1.57)	50.3	(1.98)
10A	437-10AE1	1	55.9	(2.20)	29.2	(1.15)	21	(0.83)	40	(1.57)	50.3	(1.98)
	437-10AF1	2	54.0	(2.13)	29.2	(1.15)	21	(0.83)	40	(1.57)	50.3	(1.98)

* Tolerance ± 0.38mm (± 0.015 inch)

437-01AE1, 437-03AE1, 437-06AE1, 437-08AE1, 437-10AE1,
437-01AF1, 437-03AF1, 437-06AF1, 437-08AF1, 437-10AF1

Date Last Revised: 01-22-08

Available from Mouser Electronics
1-800-346-6873 / www.mouser.com

KC- 300087

Specifications are subject to change without notice. No liability or warranty implied by this information. Environmental compliance based on producer documentation.