

# EMI Power Line Filter AB, AC Series

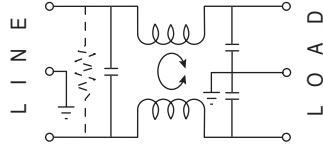
437-01AB1, 01AB2, 01AC1, 01AC2, 03AB1, 03AB2, 03AC1, 03AC2, 06AB1, 06AB2, 06AC1, 06AC2



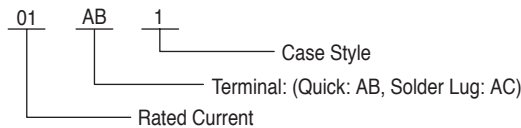
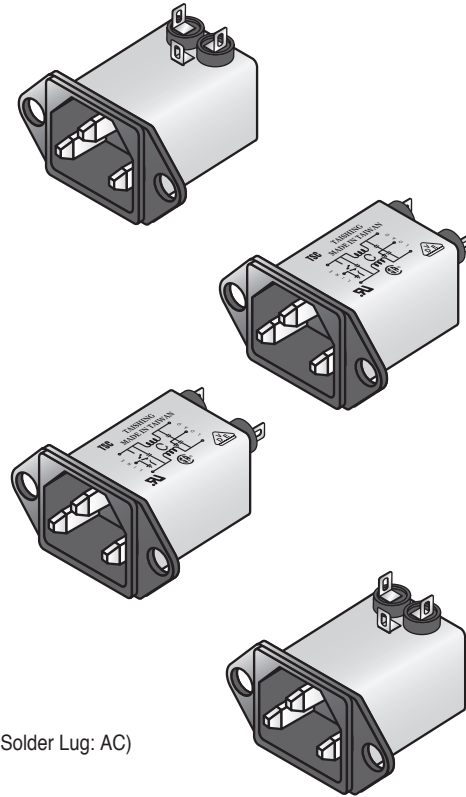
EMI Power Line Filter AB, AC Series

437-01AB1, 01AB2, 01AC1, 01AC2, 03AB1, 03AB2, 03AC1, 03AC2, 06AB1, 06AB2, 06AC1, 06AC2

The AB and AC series RFI/EMI power line filters are designed for general purpose to reduce line-to-ground (common mode) interference. They are compact, with IEC power line connector, and can be easily mounted on the panel of instruments. These filters meet low leakage requirements while operating on AC lines of 115 to 250 volts 50/60Hz, and are available in current ratings of 1, 3, and 6 amps.



Bleeder resistor for part numbers with suffix "R".



Dimensions: mm (In.)

Typical insertion loss (dB):  
Line-to-Ground in 50 ohm system.

Current Rating		Frequency (MHz)					
		0.15	0.5	1	5	10	30
1A	S	20	33	40	45	47	50
	E	26	36	44	50	50	53
3A	S	15	25	30	45	50	53
	E	24	30	38	47	50	55
6A	S	10	20	25	42	45	50
	E	15	25	32	44	48	55

SPECIFICATIONS	
Rated Voltage:	115/250 VAC
Power Line Frequency:	50/60 Hz
Rated Current:	1, 2, 3, and 6 Amps.
Maximum Leakage	Line-to-Ground
Current:	@ 115 VAC 60 Hz 0.5 mA
	@ 250 VAC 50 Hz 1.0 mA
	Line-to-Ground: 2250 VDC, one minute.
Test Voltage:	Line-to-Line: 1450 VDC, one minute.

Date Last Revised: 10-15-05

Available from Mouser Electronics  
1-800-346-6873  
www.mouser.com

KC-300086

Specifications are subject to change without notice. No liability or warranty implied by this information. Environmental compliance based on producer documentation.

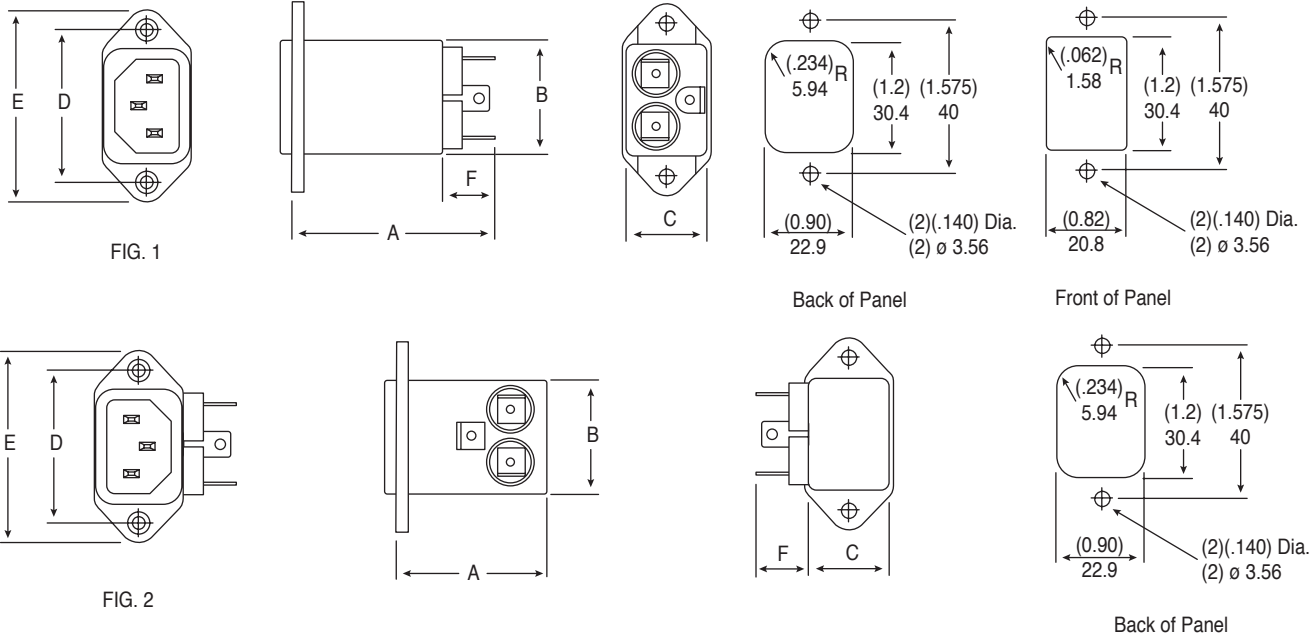
# EMI Power Line Filter AB, AC Series

437-01AB1, 01AB2, 01AC1, 01AC2, 03AB1, 03AB2, 03AC1, 03AC2, 06AB1, 06AB2, 06AC1, 06AC2



EMI Power Line Filter AB, AC Series

437-01AB1, 01AB2, 01AC1, 01AC2, 03AB1, 03AB2, 03AC1, 03AC2, 06AB1, 06AB2, 06AC1, 06AC2



## DIMENSIONS mm (IN.)

Current Rating	Part No.	Fig.	Dimensions											
			A (max)		B (max)		C (max)		D *		E (max)		F (max)	
1A	437-01AB1	1	55.9	(2.20)	30.1	(1.19)	20.6	(0.81)	40.1	(1.58)	50.3	(1.98)	14.5	(0.57)
	437-01AC1	1	50.6	(1.99)	30.1	(1.19)	20.6	(0.81)	40.1	(1.58)	50.3	(1.98)	11.6	(0.46)
	437-01AB2	2	39.4	(1.55)	30.1	(1.19)	21.6	(0.85)	40.1	(1.58)	50.3	(1.98)	14.5	(0.57)
	437-01AC2	2	39.4	(1.55)	30.1	(1.19)	21.6	(0.85)	40.1	(1.58)	50.3	(1.98)	11.6	(0.46)
3A	437-03AB1	1	55.9	(2.20)	30.1	(1.19)	20.6	(0.81)	40.1	(1.58)	50.3	(1.98)	14.5	(0.57)
	437-03AC1	1	50.6	(1.99)	30.1	(1.19)	20.6	(0.81)	40.1	(1.58)	50.3	(1.98)	11.6	(0.46)
	437-03AB2	2	39.4	(1.55)	30.1	(1.19)	21.6	(0.85)	40.1	(1.58)	50.3	(1.98)	14.5	(0.57)
	437-03AC2	2	39.4	(1.55)	30.1	(1.19)	21.6	(0.85)	40.1	(1.58)	50.3	(1.98)	11.6	(0.46)
6A	437-06AB1	1	55.9	(2.20)	30.1	(1.19)	20.6	(0.81)	40.1	(1.58)	50.3	(1.98)	14.5	(0.57)
	437-06AC1	1	50.6	(1.99)	30.1	(1.19)	20.6	(0.81)	40.1	(1.58)	50.3	(1.98)	11.6	(0.46)
	437-06AB2	2	39.4	(1.55)	30.1	(1.19)	21.6	(0.85)	40.1	(1.58)	50.3	(1.98)	14.5	(0.57)
	437-06AC2	2	39.4	(1.55)	30.1	(1.19)	21.6	(0.85)	40.1	(1.58)	50.3	(1.98)	11.6	(0.46)

\* Tolerance ± 0.38mm (± 0.015 inch)

Date Last Revised: 10-15-05

KC-300086