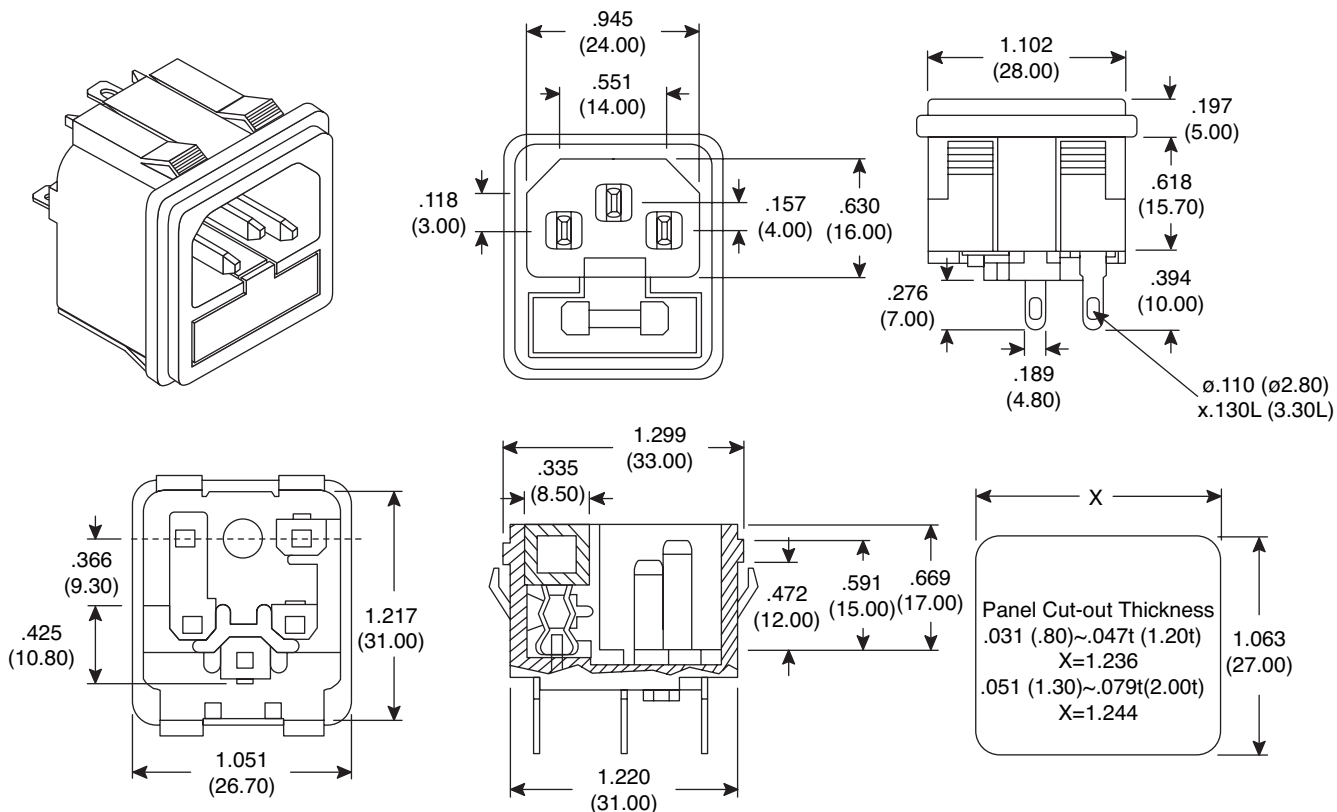


AC Power Inlet

161-0717-1-187

KOBICONN

AC Power Inlet



DIMENSIONS IN. (mm)

SPECIFICATIONS

Type:	Snap-in mount with miniature fuse holder
Housing:	Thermoplastic
Terminal:	Tin plated copper alloy
Rating:	250VAC 10A
Insulation Resistance:	Over 100MΩ @ 500VDC
Dielectric Strength:	2000VAC for 1 minute
Fuse:	ø5x20mm 250VAC 6.3A max.
Insulation Resistance:	250VAC (max.) @ 2A 500MΩ

Date Last Revised: 10-15-05

Available from Mouser Electronics
1-800-346-6873
www.mouser.com

KC-300451

161-0717-1-187