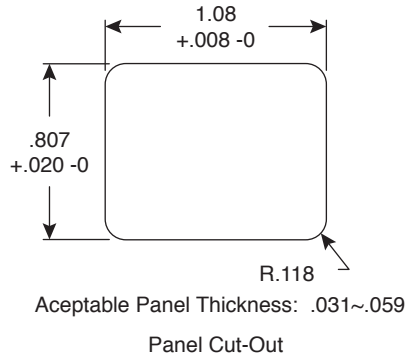
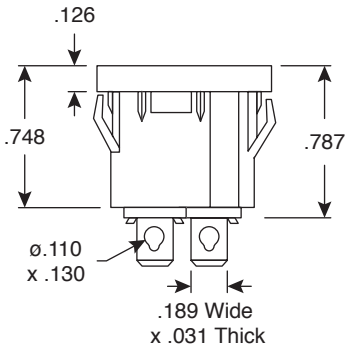
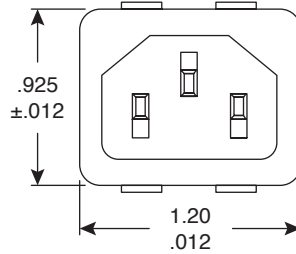
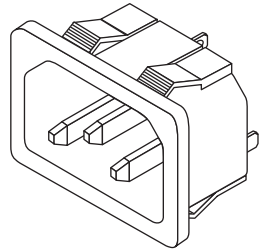


AC Inlet

161-0711-PQA



AC Inlet



Dimensions: In.

SPECIFICATIONS	
Type:	snap-in AC inlet
Rating:	250VAC 15A
Insulation resistance:	100MΩ @ 500VDC
Dielectric strength(between terminals):	2000VAC for 1 minute
Operating temperature:	-25°C to +85°C
Solder temperature:	235±5°C for 3~5 seconds
Housing:	Nylon 66, black
Terminal:	tin plated copper alloy

Date Last Revised: 10-19-05

Available from Mouser Electronics
1-800-346-6873
www.mouser.com

KC- 300457

161-0711-PQA