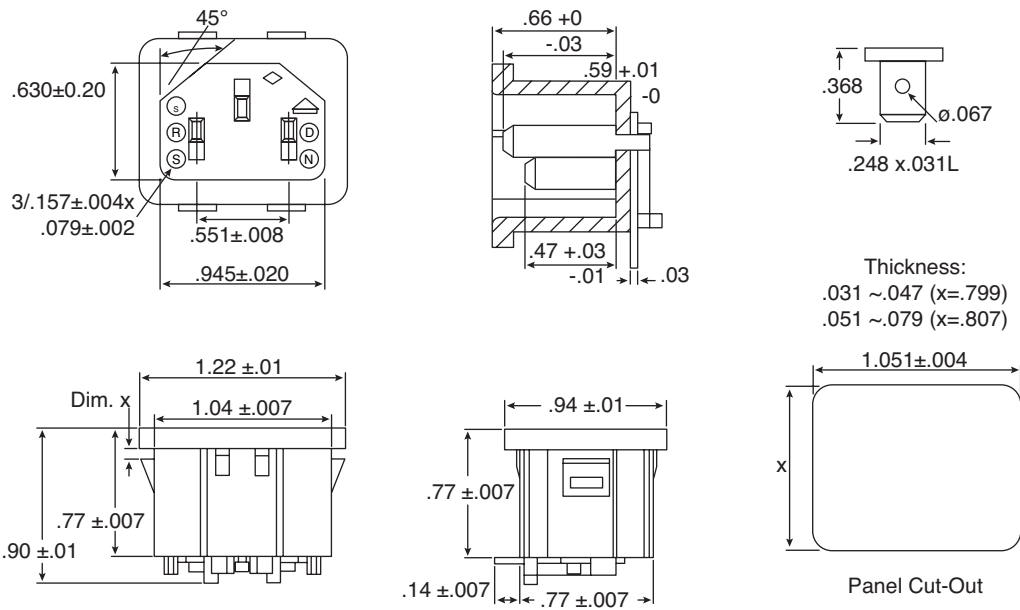


Dimensions: In.



Thickness:
.031 ~.047 (x=.799)
.051 ~.079 (x=.807)

MATERIALS

Housing:	Thermoplastic, nylon 6
Terminal:	Copper alloy, tin plated
Color:	Black

ELECTRICAL SPECIFICATIONS

Insulation Resistance:	>100MΩ @ 500VDC
Dielectric Strength:	>2000VAC (between terminals 1 minute @ 0.5mA)
Operating Temperature:	-25°C to +85°C (Max.)
Solderability:	Temperature of solder bath: 235°C ±5°C, dipping time: 3~5 sec.
Pull Force of Terminal:	60N (6.12kg)
Rating:	15A 250VAC North America, 10A 250VAC Europe

Date Last Revised: 11-2-05

Available from Mouser Electronics
1-800-346-6873
www.mouser.com

KC- 300195