

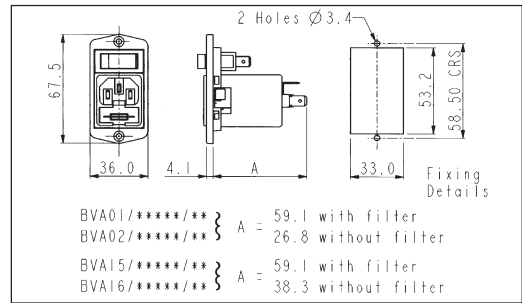
C14 IEC Fused Inlet - Polyflange

VERTICAL MODULE ARRANGEMENT



BVA01/Z0000/02

- Fused Inlet with 2.8mm or 6.3mm tags
- Screw Fixing to Panel
- Single Pole Switch Variations
- Filtered Inlet Option
- Options of I/O marked switches

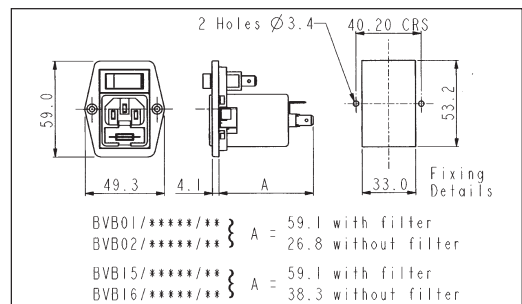


VERTICAL MODULE ARRANGEMENT



BVB01/Z0000/01

- Fused Inlet with 2.8mm or 6.3mm tags
- Screw Fixing to Panel
- Single Pole Switch Variations
- Filtered Inlet Option
- Options of I/O marked switches



How to Order

BVx xx / xxxxx / xx

Flange Type	Type of Inlet / Outlet	Filtered or Non Filtered Inlet	Combination of Other Components
<p><b>A</b> = Top fixing</p> <p><b>B</b> = Side fixing</p>	<p>Single Fused C14 Power Inlet (cold condition), 6.3 or 2.8mm tabs:</p> <p><b>01</b> = PF0011/63 <b>02</b> = PF0011/28</p> <p>Twin Fused C14 Power Inlet (cold condition), 6.3 or 2.8mm tabs:</p> <p><b>15</b> = PF0033/63 <b>16</b> = PF0033/28</p>	<p>Z0000 = Non Filtered</p> <p>Axxxx = Standard</p> <p>Bxxxx = Medical (Twin Fuse Version only)</p> <div style="border: 1px solid black; padding: 5px; margin-top: 10px;"> <p>For Filtered inlet use 6th to 9th characters from filter ordering code see pages 127-129.</p> <p>E.g. BVA01/<b>A0620</b>/01</p> </div>	<p>Single Pole Switch:</p> <p><b>01</b> = S.P. Switch</p> <p>Single Pole Neon Switch:</p> <p><b>02</b> = S.P. Red Neon Switch <b>08</b> = S.P. Green Neon Switch</p> <p>Neon Indicator:</p> <p><b>03</b> = Red Neon Indicator</p> <p>Single Pole High Inrush Switch:</p> <p><b>46</b> = S.P. High Inrush Switch</p> <p>Single Pole Switch Marked I/O:</p> <p><b>69</b> = S.P. Switch (I/O)</p> <p>Single Pole Neon Switch Marked (I/O):</p> <p><b>71</b> = S.P. Red Neon Switch (I/O) <b>74</b> = S.P. Green Neon Switch (I/O)</p> <p>Single Pole High Inrush Switch Marked (I/O):</p> <p><b>98</b> = S.P. High Inrush Switch (I/O)</p>

Note: For technical details of individual components please see page 106