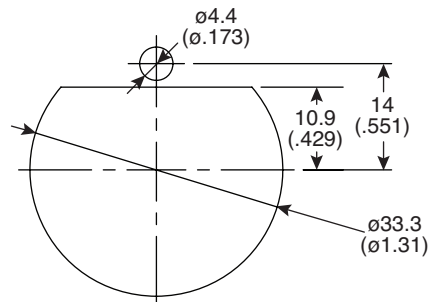
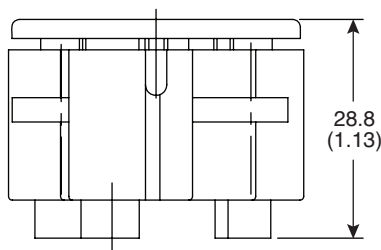
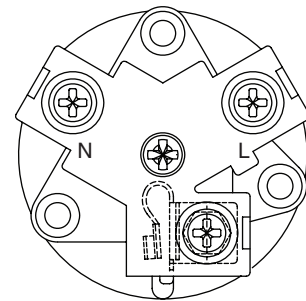
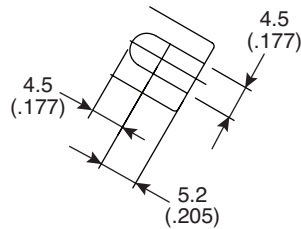
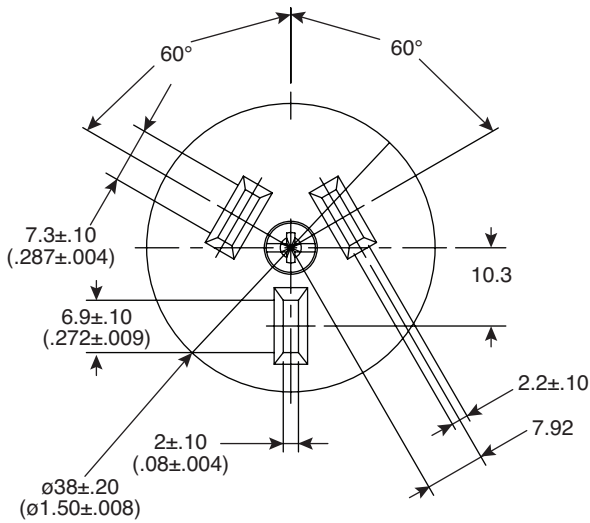
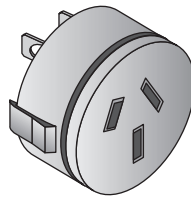


Australian Socket

161-RA0201-E



Australian Socket



Panel Cut-Out

Dimensions: mm (in.)

MATERIAL SPECIFICATIONS:

Insulation Resistance:	Over 100MΩ at 500V DC
Dielectric Strength:	2000V AC 1 minute
Body Material:	94V-2~V-0
RoHS Compliant	

Date Last Revised: 4-16-08

Available from Mouser Electronics
1-800-346-6873 / www.mouser.com

KC-301217

161-RA0201-E

Specifications are subject to change without notice. No liability or warranty implied by this information. Environmental compliance based on producer documentation.