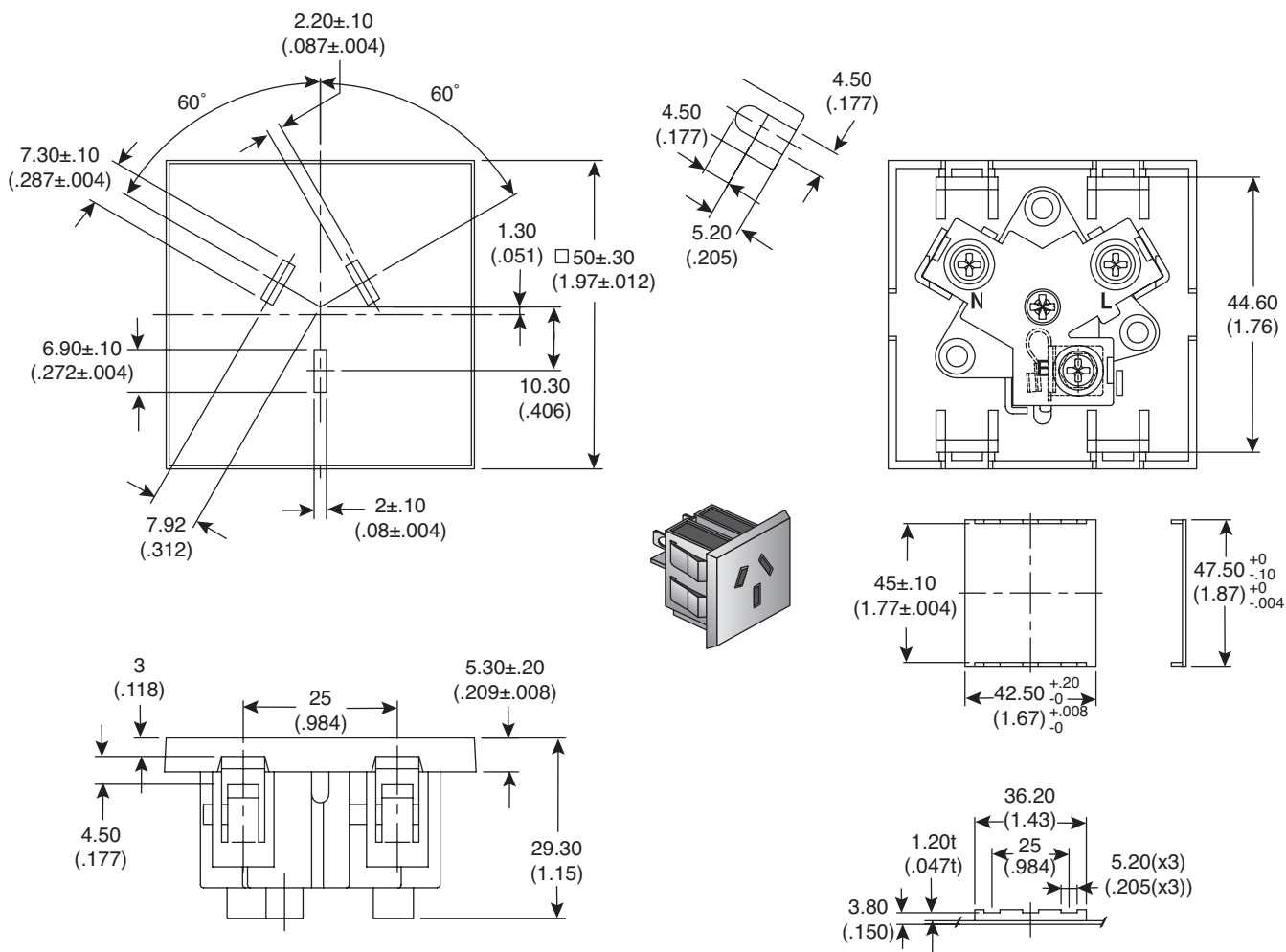


Australian Socket

161-RA0200-E

KOBICONN

Australian Socket



Dimensions: mm (in.)

SPECIFICATIONS	
Insulation Resistance:	Over 100MΩ at 500V DC
Dielectric Strength:	2000V AC 1 Minute
Body Material:	Thermoplastic 94V-2~V-0
RoHS Compliant	

Date Last Revised: 4-23-08

Available from Mouser Electronics
1-800-346-6873 / www.mouser.com

KC-301216

Specifications are subject to change without notice. No liability or warranty implied by this information. Environmental compliance based on producer documentation.

161-RA0200-E