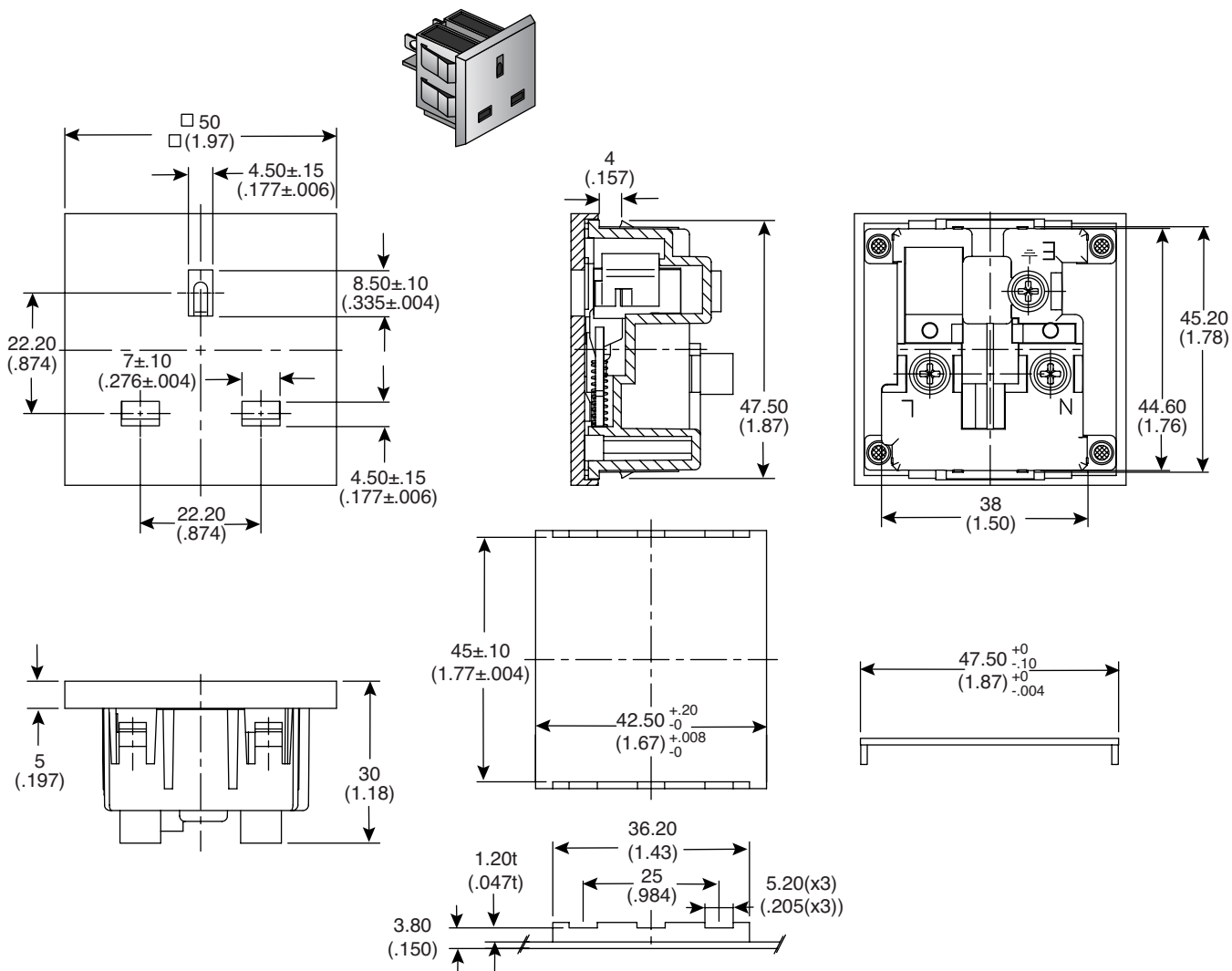


UK Socket

161-RB0200-E

KOBI CONN

UK Socket



Dimensions: mm (in.)

SPECIFICATIONS	
Insulation Resistance:	Over 100MΩ at 500V DC
Dielectric Strength:	2000V AC 1 Minute
Body Material:	Thermoplastic 94V-2~V-0
Standard:	BS-1363-2
RoHS Compliant	

Date Last Revised: 4-24-08

Available from Mouser Electronics
1-800-346-6873 / www.mouser.com

KC-301219

161-RB0200-E

Specifications are subject to change without notice. No liability or warranty implied by this information. Environmental compliance based on producer documentation.