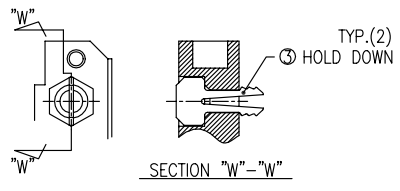
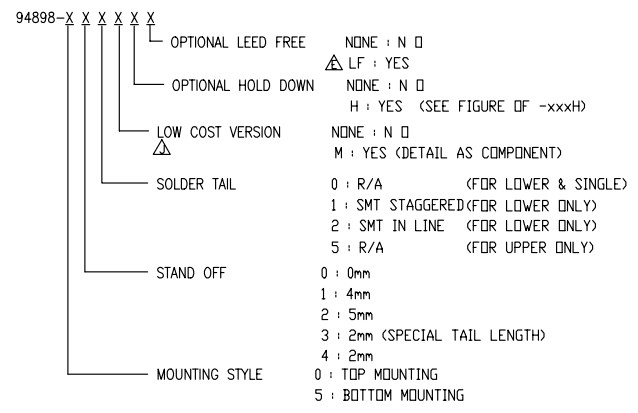


FCI CONFIDENTIAL
 This document is the property of and embodies CONFIDENTIAL and PROPRIETARY information of FCI. No part of the information shown on this document may be used in any way or disclosed to others without the written consent of FCI.
 Copyright © FCI

PRODUCT NO.
94898

| PRODUCT NO. 94898-XXXX | STAND OFF (mm) | SOLDER TAIL (mm) | DIM "P" (mm) | DIM "Q" (mm) | FOR LOWER DECK OR UPPER DECK | HOLD DOWN | SHEET NO. | MOUNTING STYLE TO PCB | | |
|---------------------------|-------------------|---------------------|-----------------|-----------------|---------------------------------|-----------|-----------|---------------------------|------|----------------------------|
| 000 | 0 | R/A | 2.8 | --- | LOWER | NONE | NO.2 | TOP MOUNT 94898-0XXX | | |
| 000LF | 0 | R/A | 2.8 | --- | LOWER | NONE | | | | |
| 000MLF | 0 | R/A | 2.8 | --- | LOWER | NONE | | | | |
| 000H | 0 | R/A | 2.8 | --- | LOWER | YES | | | | |
| 000HLF | 0 | R/A | 2.8 | --- | LOWER | YES | | | | |
| 001 | 0 | SMT STAGGERED | --- | --- | LOWER | NONE | | | | |
| 001LF | 0 | SMT STAGGERED | --- | --- | LOWER | NONE | | | | |
| 001H | 0 | SMT STAGGERED | --- | --- | LOWER | YES | | | | |
| 001HLF | 0 | SMT STAGGERED | --- | --- | LOWER | YES | | | | |
| 002 | 0 | SMT IN LINE | --- | --- | LOWER | NONE | | | | |
| 002LF | 0 | SMT IN LINE | --- | --- | LOWER | NONE | | | | |
| 002H | 0 | SMT IN LINE | --- | --- | LOWER | YES | | | | |
| 002HLF | 0 | SMT IN LINE | --- | --- | LOWER | YES | | | | |
| 010 | 4 | R/A | 2.8 | --- | LOWER | NONE | NO.3 | BLACK COLOR 94898-1XXX | | |
| 010LF | 4 | R/A | 2.8 | --- | LOWER | NONE | | | | |
| 020 | 5 | R/A | 2.8 | --- | LOWER | NONE | | | | |
| 020LF | 5 | R/A | 2.8 | --- | LOWER | NONE | | | | |
| 020MLF | 5 | R/A | 2.8 | --- | LOWER | NONE | | | | |
| 021MLF | 5 | R/A | 2.8 | --- | LOWER | NONE | | | | |
| 040 | 2 | R/A | 2.5 | --- | LOWER | NONE | | | | |
| 040MLF | 2 | R/A | 2.5 | --- | LOWER | NONE | | | | |
| 040LF | 2 | R/A | 2.5 | --- | LOWER | NONE | | | | |
| 005 | FDR 0 | R/A | 2.8 | 8.6 | UPPER | NONE | | | NO.4 | BOTTOM MOUNT 94898-5XXX |
| 005LF | FDR 0 | R/A | 2.8 | 8.6 | UPPER | NONE | | | | |
| 045 | FDR 2 | R/A | 2.5 | 10.3 | UPPER | NONE | | | | |
| 045MLF | FDR 2 | R/A | 2.5 | 10.3 | UPPER | NONE | | | | |
| 045LF | FDR 2 | R/A | 2.5 | 10.3 | UPPER | NONE | | | | |
| 500 | 0 | R/A | 2.8 | --- | LOWER | NONE | NO.5 | 94898-2XXX | | |
| 500LF | 0 | R/A | 2.8 | --- | LOWER | NONE | | | | |
| 500H | 0 | R/A | 2.8 | --- | LOWER | YES | | | | |
| 500HLF | 0 | R/A | 2.8 | --- | LOWER | YES | | | | |
| 501 | 0 | SMT STAGGERED | --- | --- | LOWER | NONE | | | | |
| 501LF | 0 | SMT STAGGERED | --- | --- | LOWER | NONE | | | | |
| 501H | 0 | SMT STAGGERED | --- | --- | LOWER | YES | | | | |
| 501HLF | 0 | SMT STAGGERED | --- | --- | LOWER | YES | | | | |
| 502 | 0 | SMT IN LINE | --- | --- | LOWER | NONE | | | | |
| 502LF | 0 | SMT IN LINE | --- | --- | LOWER | NONE | | | | |
| 502H | 0 | SMT IN LINE | --- | --- | LOWER | YES | | | | |
| 502HLF | 0 | SMT IN LINE | --- | --- | LOWER | YES | | | | |
| 510 | 4 | R/A | 2.8 | --- | LOWER | NONE | NO.6 | 94898-3XXX | | |
| 510LF | 4 | R/A | 2.8 | --- | LOWER | NONE | | | | |
| 520 | 5 | R/A | 2.8 | --- | LOWER | NONE | | | | |
| 520LF | 5 | R/A | 2.8 | --- | LOWER | NONE | | | | |
| 530 | 2 | R/A | 1.48 | --- | LOWER | NONE | | | | |
| 530LF | 2 | R/A | 1.48 | --- | LOWER | NONE | | | | |
| 540 | 2 | R/A | 2.5 | --- | LOWER | NONE | | | | |
| 540LF | 2 | R/A | 2.5 | --- | LOWER | NONE | | | | |
| 505 | FDR 0 | R/A | 2.8 | 8.6 | UPPER | NONE | | | NO.7 | 94898-4XXX |
| 505LF | FDR 0 | R/A | 2.8 | 8.6 | UPPER | NONE | | | | |
| 535 | FDR 2 | R/A | 1.48 | 9.28 | UPPER | NONE | | | | |
| 535LF | FDR 2 | R/A | 1.48 | 9.28 | UPPER | NONE | | | | |
| 545 | FDR 2 | R/A | 2.5 | 10.3 | UPPER | NONE | | | | |
| 545LF | FDR 2 | R/A | 2.5 | 10.3 | UPPER | NONE | | | | |



94898-xxxH
(OPTIONAL HOLD DOWN)

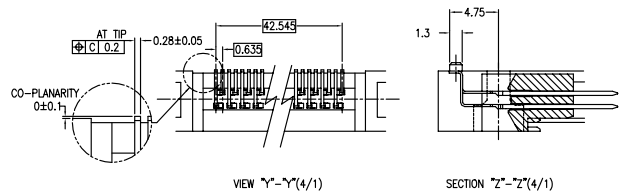
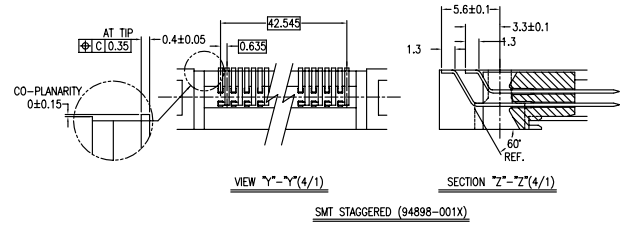
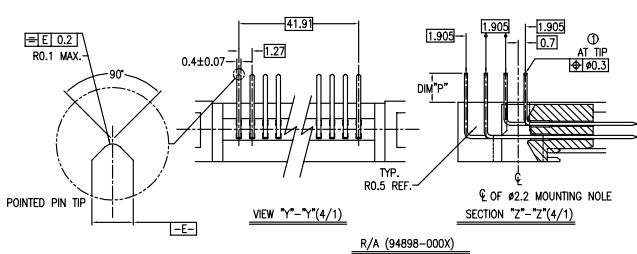
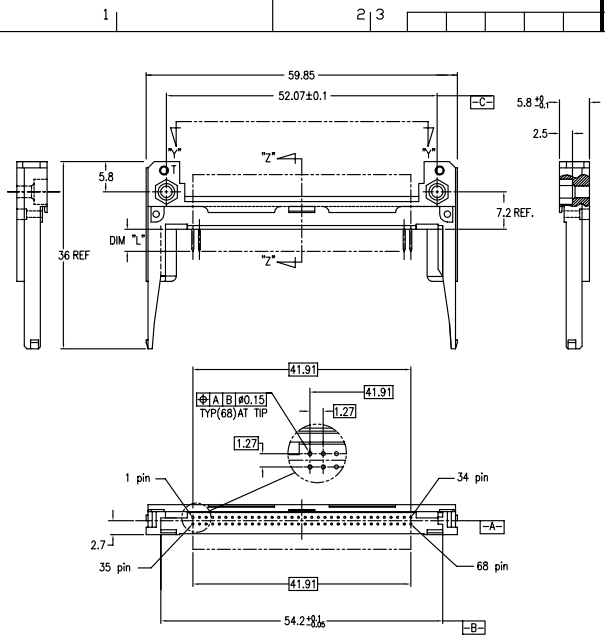
| | | | | |
|-------------------------|-------------------------|------------------------|------------|--|
| mat'l. code | surface | tolerance | projection | product family |
| ltr ecn no dr | date | ISO 1302 | ISO 406 | ISO 1101 |
| J N06-0065 M.Z 04/02/06 | K N07-0219 M.Z 12/07/07 | angles | linear | MM |
| L N08-0041 M.Z 03/10/08 | M N08-0219 M.Z 10/10/08 | ±2° | scale | 68 POS EJECTOR HEADER ASSY FOR LOW VOLTAGE |
| N N09-0045 SH 05/25/09 | dr M.Hasegawa 1/24/09 | eng M.Hasegawa 1/24/09 | FCI | dwg no 94898 sheet 1 of 7 size A4 |
| chr | appd | | | type CUSTOMER Drawing |
| sheet index | revision sheet | M 1 | M 2 | M 3 |
| | | M 4 | M 5 | M 6 |
| | | M 7 | | |

FCI CONFIDENTIAL

FCI

This document is the property of and embodies CONFIDENTIAL and PROPRIETARY information of FCI. No part of the information shown on this document may be used in any way or disclosed to others without the written consent of FCI. Copyright © FCI.

| | |
|--------------|-----------|
| PRODUCT NO. | 94898-000 |
| 94898-000LF | |
| 94898-000H | |
| 94898-000HLF | |
| 94898-001 | |
| 94898-001LF | |
| 94898-001H | |
| 94898-001HLF | |
| 94898-002 | |
| 94898-002LF | |
| 94898-002H | |
| 94898-002HLF | |



- NOTES
- TRUE POSITION IS A FREE GRID TO PIN PATTERN ITSELF.
 - SEE TA-946 FOR PCB LAYOUT.
 - MATERIAL
 - HOUSING : LCP UL94V-0 BLACK.
 - PIN : PHOSPHOR BRONZE.
 - HOLD-DOWN : BRASS
 - FINISH
 - PIN UNDER PLATING : 0.5µm MIN. Ni.
 - CONTACT AREA : 0.1µm MIN. Au.
 - SOLDER AREA : OVER 0.5µm MIN. Pd-Ni.
 - OR 2.5µm MIN. Sn-Pb.
 - OR 2.5µm MIN. PURE Sn.(FOR -XXLF)
 - HOLD-DOWN : 2.5µm MIN. PURE Sn.
 - RECOMMENDED PCB HOLE (OPTIONAL HOLD-DOWN) : 2.3±0.1
 - SEQUENCE PIN ASSIGNMENT

| DIM | | TYP | |
|----------|---------|---------|----------|
| 4.25±0.1 | 3.5±0.1 | 5.0±0.1 | 3.5±0.1 |
| PIN No. | OTHERS | 36.67 | 35.31.68 |
 - GENERAL TOLERANCE : ±0.3
 - SEE SHEET 1 REGARDING COMPONENTS.
 - IF LEAD FREE P/N, THE HOUSING WILL WITHSTAND EXPOSURE TO 260° C PEAK TEMPERATURE FOR 10 SECONDS IN A WAVE SOLDER APPLICATION WITH A 1.00MM MINIMUM THICK CIRCUIT BOARD.
 - LEAD FREE PRODUCT MEETS EUROPEAN UNION DIRECTIVES AND OTHER COUNTRY REGULATIONS AS DISCRIBLED IN GS-22-008
 - IF LEAD FREE P/N, PACKAGE MEETS GS-14-920 SPECIFICATION

| | | | | |
|-------------|----------|------------|------------|--|
| mat'l. code | surface | tolerance | projection | product family |
| l | ISO 1302 | ISO 406 | ISO 1101 | 68 POS EJECTOR HEADER ASSY FOR LOW VOLTAGE |
| tr | ecn | no | dr | date |
| N | | | | |
| | angles | linea | MM | title |
| | ±2' | | scale | dwg no |
| | dir | M.Hasegawa | 1/14/06 | sheet 2 of 7 size |
| | engr | M.Hasegawa | 1/14/06 | 94898 |
| | chr | | | A4 |
| | app | | | type CUSTOMER Drawing |
| sheet | revision | | | |
| index | sheet | | | |

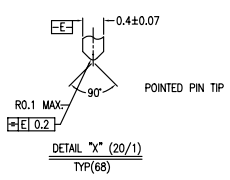
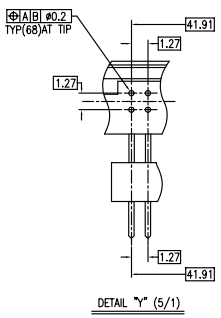
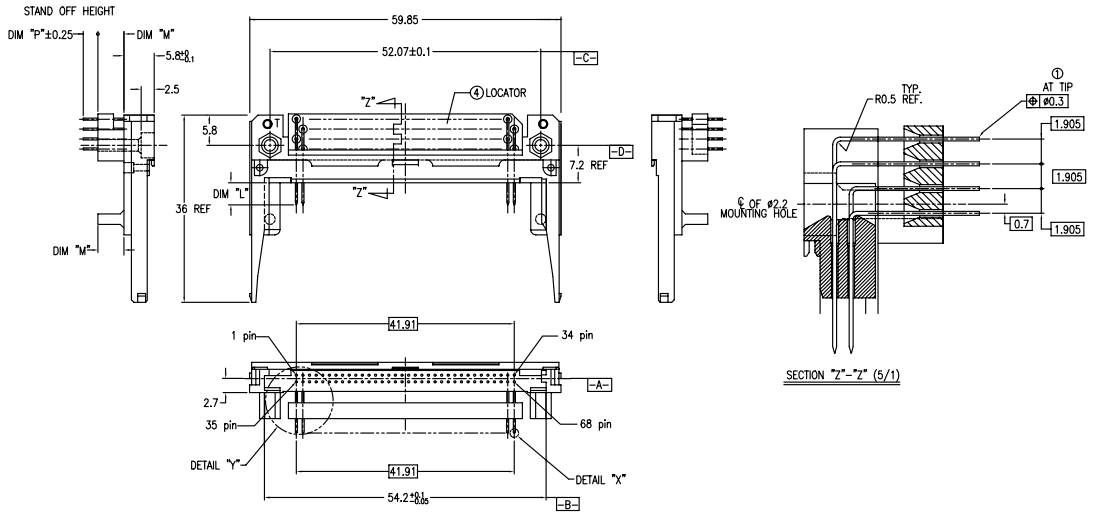
PDM Rev: N STATUS Released Printed: Oct 12, 2010 6

FCI CONFIDENTIAL

FCI

This document is the property of and embodies CONFIDENTIAL and PROPRIETARY information of FCI. No part of the information shown on this document may be used in any way or disclosed to others without the written consent of FCI. Copyright © FCI.

| | |
|--------------------|-----------|
| PRODUCT NO. | 94898-010 |
| 94898-010LF | |
| 94898-020/020M | |
| 94898-020LF/020MLF | |
| 94898-021MLF | |
| 94898-040 | |
| 94898-040LF/040MLF | |



1. TRUE POSITION IS A FREE GRID TO PIN PATTERN ITSELF.
2. SEE TA-946 FOR PCB LAYOUT.
3. MATERIAL
HOUSING : LCP UL94V-0 BLACK.
PIN : PHOSPHOR BRONZE.
HOLD-DOWN : BRASS
4. FINISH
PIN
UNDER PLATING : 0.5um MIN. Ni.
CONTACT AREA : 0.1um MIN. Au.
OVER 0.5um MIN. Pd-Ni.
SOLDER AREA : 2.5um MIN. Sn-Pb.
OR 2.5um MIN. PURE Sn.(FOR -XXXLF)
HOLD-DOWN : 2.5um MIN. PURE Sn.
5. RECOMMENDED PCB HOLE (OPTIONAL HOLD-DOWN) : 2.3±0.1
6. SEQUENCE PIN ASSIGNMENT

| | DIM "M" | DIM "L" |
|---------|---------|---------|
| PIN No. | 475±0.1 | 3.5±0.1 |
| OTHERS | 36.67 | 3.7±0.1 |

7. GENERAL TOLERANCE : ±0.3
8. SEE SHEET 1 REGARDING COMPONENTS.

9. IF LEAD FREE P/N, THE HOUSING WILL WITHSTAND EXPOSURE TO 260° C PEAK TEMPERATURE FOR 10 SECONDS IN A WAVE SOLDER APPLICATION WITH A 1.00MM MINIMUM THICK CIRCUIT BOARD.
10. LEAD FREE PRODUCT MEETS EUROPEAN UNION DIRECTIVES AND OTHER COUNTRY REGULATIONS AS DISCRIBLED IN GS-22-008
11. IF LEAD FREE P/N, PACKAGE MEETS GS-14-920 SPECIFICATION
12. "M" SHOWS IT IS LOW COST VERSION, IT IS OPTIONAL AND IN FIRST OF LETTER OF PART NO., SUCH AS 94898-020MLF IS LOW COST VERSION 94898-020LF IS NOT LOW COST VERSION.

| | | | | |
|-------------|----------|------------|------------|--|
| mat'l. code | surface | tolerance | projection | product family |
| l | ISO 1302 | ISO 406 | ISO 1101 | 68 POS EJECTOR HEADER ASSY FOR LOW VOLTAGE |
| tr | ecn | no | dr | date |
| N | | | | |
| | angles | linear | MM | |
| | ±2' | | scale | |
| | dir | M.Hasegawa | 1/14/98 | |
| | eng | M.Hasegawa | 1/14/98 | |
| | chr | | | |
| | app | | | |
| sheet | revision | | | |
| index | sheet | | | |

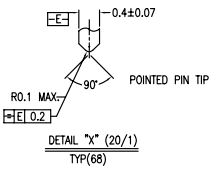
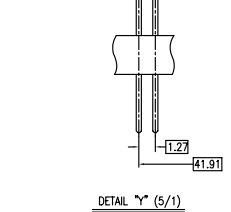
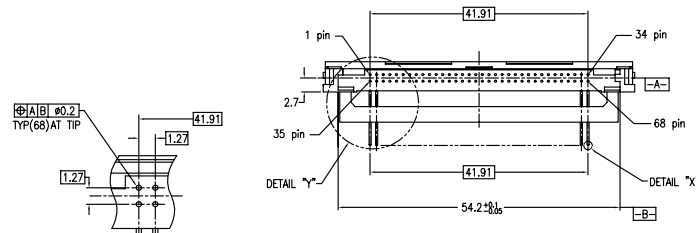
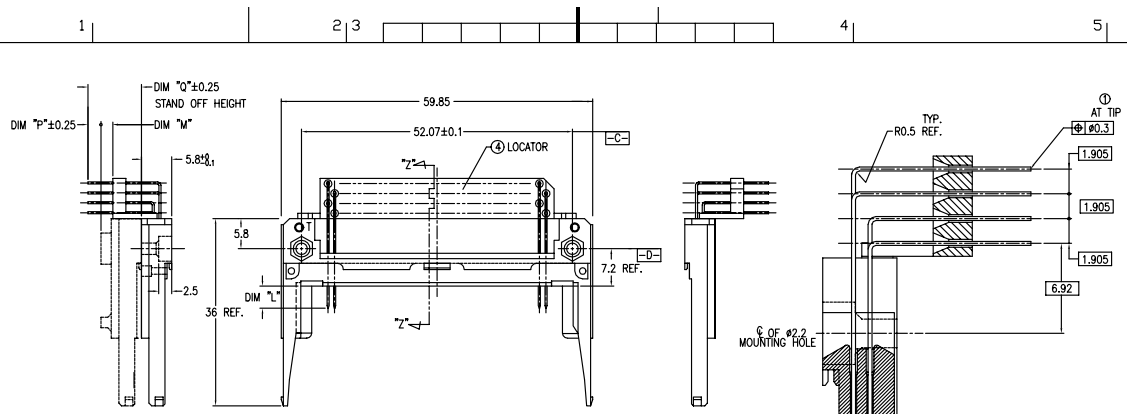
FCI
 PDM Rev: N STATUS Released Printed: Oct 12, 2010

FCI CONFIDENTIAL

FCI

This document is the property of and embodies CONFIDENTIAL and PROPRIETARY information of FCI. No part of the information shown on this document may be used in any way or disclosed to others without the written consent of FCI. Copyright © FCI.

| | |
|-------------|-------------|
| PRODUCT NO. | 94898-005 |
| | 94898-005LF |
| | 94898-045 |
| | 94898-045LF |



NOTES

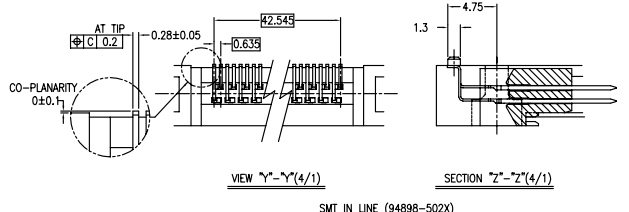
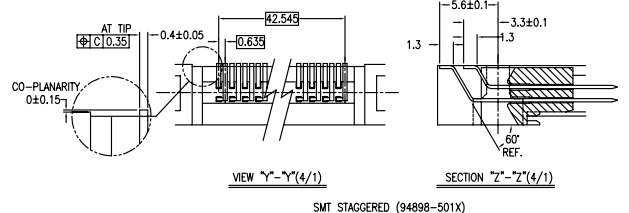
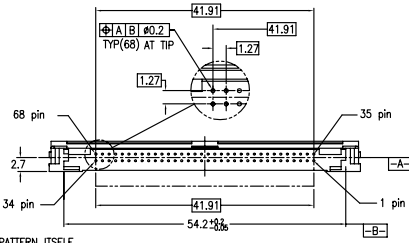
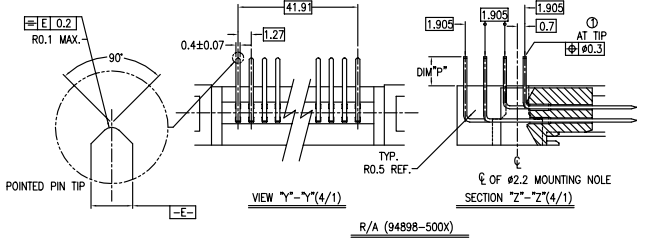
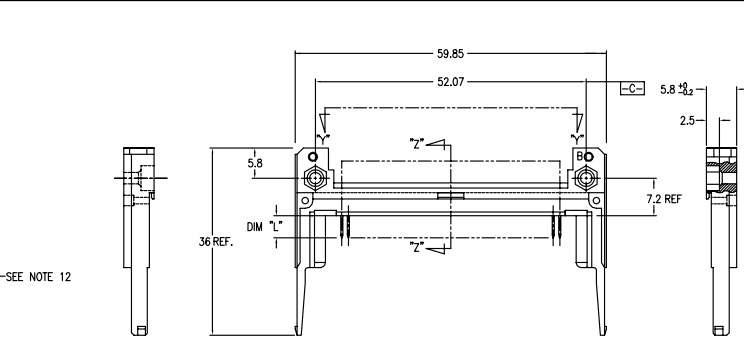
- TRUE POSITION IS A FREE GRID TO PIN PATTERN ITSELF.
- SEE 1A-946 FOR PCB LAYOUT.
- MATERIAL
HOUSING : LCP UL94V-0 BLACK.
PIN : PHOSPHOR BRONZE.
HOLD-DOWN : BRASS
- FINISH
PIN
UNDER PLATING : 0.5µm MIN. Ni.
CONTACT AREA : 0.1µm MIN. Au.
OVER 0.5µm MIN. Pd-Ni.
SOLDER AREA : 2.5µm MIN. Sn-Pb.
OR 2.5µm MIN. PURE Sn.(FOR -XXXLF)
HOLD-DOWN : 2.5µm MIN. PURE Sn.
- RECOMMENDED PCB HOLE (OPTIONAL HOLD-DOWN) : 2.3±0.1
- SEQUENCE PIN ASSIGNMENT
- GENERAL TOLERANCE : ±0.3
- SEE SHEET 1 REGARDING COMPONENTS.
- IF LEAD FREE P/N, THE HOUSING WILL WITHSTAND EXPOSURE TO 260° C PEAK TEMPERATURE FOR 10 SECONDS IN A WAVE SOLDER APPLICATION WITH A 1.00MM MINIMUM THICK CIRCUIT BOARD.
- LEAD FREE PRODUCT MEETS EUROPEAN UNION DIRECTIVES AND OTHER COUNTRY REGULATIONS AS DISCRIBLED IN GS-22-008
- IF LEAD FREE P/N, PACKAGE MEETS GS-14-920 SPECIFICATION

| | DIM 'L' | | |
|----------|----------|---------|-------|
| 4.25±0.1 | 3.55±0.1 | 5.0±0.1 | |
| PIN No. | OTHERS | 36,67 | 34,68 |

| | | | | |
|-------------|----------|------------|---------------------------------------|--|
| mat'l. code | surface | tolerance | projection | product family |
| | ISO 1302 | ISO 406 | ISO 1101 | |
| tr/elect no | dr | date | tolerances unless otherwise specified | title |
| N | | | angles | 68 POS EJECTOR HEADER ASSY FOR LOW VOLTAGE |
| | | | linear | |
| | | | ±2' | scale |
| | dr | M.Hasegawa | 1/14/98 | dwg no |
| | engr | M.Hasegawa | 1/14/98 | 94898 |
| | chr | | | sheet 4 of 7 size |
| | app | | | A4 |
| sheet | revision | | | type CUSTOMER Drawing |
| index | sheet | | | |

FCI CONFIDENTIAL
 FCI
 FCIconnect.com
 This document is the property of and embodies CONFIDENTIAL and PROPRIETARY information of FCI. No part of the information shown on this document may be used in any way or disclosed to others without the written consent of FCI.
 Copyright © FCI

| |
|--------------|
| PRODUCT NO. |
| 94898-500 |
| 94898-500LF |
| 94898-500H |
| 94898-500HLF |
| 94898-501 |
| 94898-501LF |
| 94898-501H |
| 94898-501HLF |
| 94898-502 |
| 94898-502J |
| 94898-502LF |
| 94898-502H |
| 94898-502HLF |



NOTES

- TRUE POSITION IS A FREE GRID TO PIN PATTERN ITSELF.
- SEE TA-946 FOR PCB LAYOUT.
- MATERIAL
 - HOUSING : LCP UL94V-0 NATURAL
 - PIN : PHOSPHOR BRONZE
 - HOLD-DOWN : BRASS
- FINISH
 - PIN
 - UNDER PLATING : 0.5µm MIN. Ni.
 - CONTACT AREA : 0.1µm MIN. Au.
 - OVER : 0.5µm MIN. Pd-Ni.
 - SOLDER AREA : 2.5µm MIN. Sn-Pb.
 - OR 2.5µm MIN. PURE Sn.(FOR -XXXLF)
 - HOLD-DOWN : 2.5µm MIN. PURE Sn.
- RECOMMENDED PCB HOLE (OPTIONAL HOLD-DOWN) : 2.3±0.1
- SEQUENCE PIN ASSIGNMENT

| | mm | in |
|---------|----------|----------|
| PIN No. | 4.25±0.1 | 3.5±0.1 |
| OTHERS | 36.67 | 1.44 |
| | | 3.57±0.8 |
- GENERAL TOLERANCE : ±0.3
- SEE SHEET 1 REGARDING COMPONENTS.
- IF LEAD FREE P/N, THE HOUSING WILL WITHSTAND EXPOSURE TO 260° C PEAK TEMPERATURE FOR 10 SECONDS IN A WAVE SOLDER APPLICATION WITH A 1.00MM MINIMUM THICK CIRCUIT BOARD.
- LEAD FREE PRODUCT MEETS EUROPEAN UNION DIRECTIVES AND OTHER COUNTRY REGULATIONS AS DISCRIBLED IN GS-22-008
- IF LEAD FREE P/N, PACKAGE MEETS GS-14-920 SPECIFICATION
- THE P/N 94898-502J HAS SPECIAL TRAY, IT IS 10084720-001.

| | | | | |
|-------------|---------------------------------------|-----------------|------------|--|
| mat'l code | surface | tolerance | projection | product family |
| l | ISO 1302 | ISO 406 | ISO 1181 | |
| tr | tolerances unless otherwise specified | | | |
| N | angles | linear | MM | 68 POS EJECTOR HEADER ASSY FOR LOW VOLTAGE |
| | ±2' | | scale | dwg no 94898 sheet 5 of 7 size A4 |
| | dir M.Hasegawa | engr M.Hasegawa | chr | type CUSTOMER Drawing |
| sheet index | revision sheet | | | |

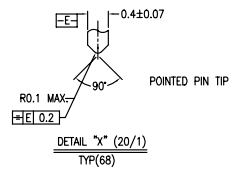
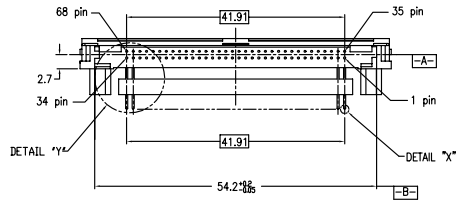
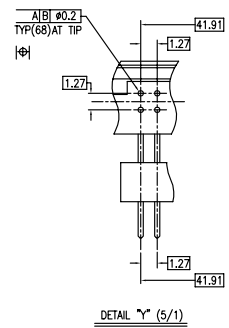
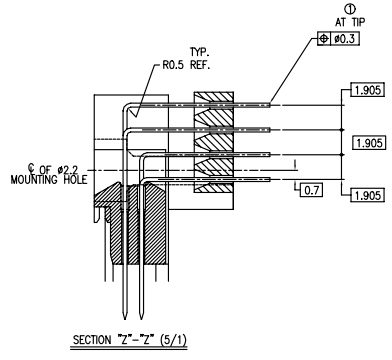
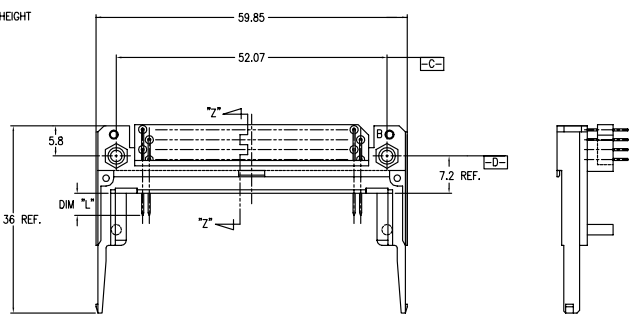
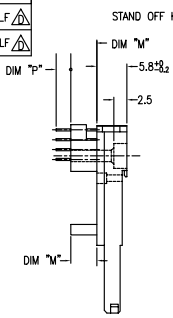
PDM Rev: N STATUS **Released** Printed: Oct 12, 2010 6

FCI CONFIDENTIAL

FCI

This document is the property of and embodies CONFIDENTIAL and PROPRIETARY information of FCI. No part of the information shown on this document may be used in any way or disclosed to others without the written consent of FCI. Copyright © FCI

| PRODUCT NO. | |
|-------------|-------------|
| 94898-510 | 94898-510LF |
| 94898-520 | 94898-520LF |
| 94898-530 | 94898-530LF |
| 94898-540 | 94898-540LF |



NOTES

- TRUE POSITION IS A FREE GRID TO PIN PATTERN ITSELF.
- SEE TA-946 FOR PCB LAYOUT.
- MATERIAL
HOUSING : LCP UL94V-0 NATURAL
PIN : PHOSPHOR BRONZE
HOLD-DOWN : BRASS
- FINISH
PIN
UNDER PLATING : 0.5um MIN. Ni.
CONTACT AREA : 0.1um MIN. Au.
SOLDER AREA : 2.5um MIN. Sn-Pb.
OR 2.5um MIN. PURE Sn.(FOR -XXXLF)
HOLD-DOWN : 2.5um MIN. PURE Sn.
- RECOMMENDED PCB HOLE (OPTIONAL HOLD-DOWN) : 2.3±0.1
- SEQUENCE PIN ASSIGNMENT
- GENERAL TOLERANCE : ±0.3
- SEE SHEET 1 REGARDING COMPONENTS.
- IF LEAD FREE P/N, THE HOUSING WILL WITHSTAND EXPOSURE TO 260° C PEAK TEMPERATURE FOR 10 SECONDS IN A WAVE SOLDER APPLICATION WITH A 1.00MM MINIMUM THICK CIRCUIT BOARD.
- LEAD FREE PRODUCT MEETS EUROPEAN UNION DIRECTIVES AND OTHER COUNTRY REGULATIONS AS DISCRIBED IN GS-22-008
- IF LEAD FREE P/N, PACKAGE MEETS GS-14-920 SPECIFICATION

| | DIM "L" | |
|---------|----------|----------|
| PIN No. | 4.25±0.1 | 3.5±0.1 |
| OTHERS | 36.67 | 50.0±0.1 |

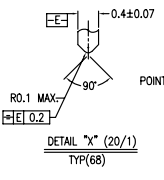
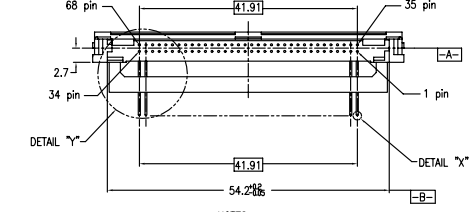
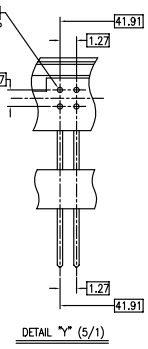
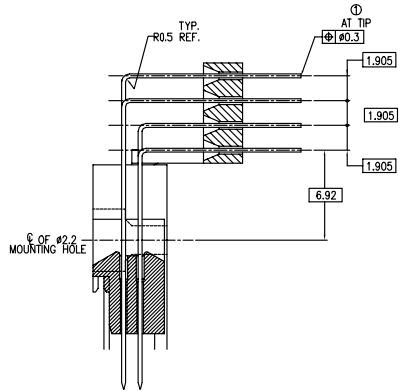
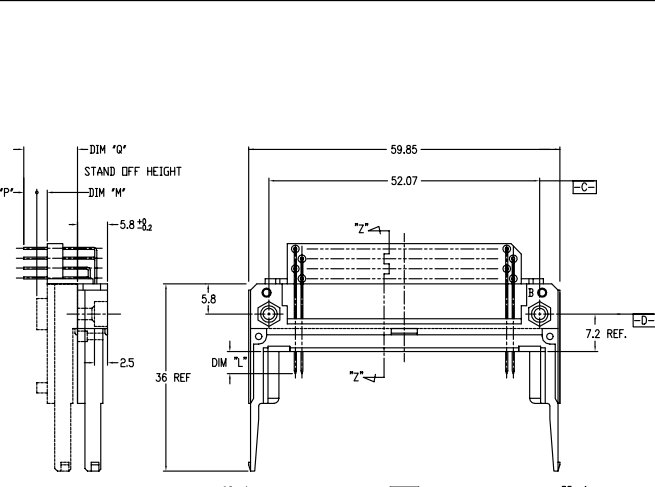
| | | | | |
|-------------|----------|------------|------------|--|
| mat'l. code | surface | tolerance | projection | product family |
| | ISO 1302 | ISO 406 | ISO 1101 | |
| tr | ec | no | dr | date |
| N | | | | |
| | angles | linear | MM | title |
| | ±2' | | scale | 68 POS EJECTOR HEADER ASSY FOR LOW VOLTAGE |
| | dir | M.Hasegawa | 1/14/06 | dwg no |
| | eng | M.Hasegawa | 1/14/06 | 94898 |
| | chr | | | sheet 6 of 7 |
| | app | | | size A4 |
| sheet | revision | | | type CUSTOMER Drawing |
| index | sheet | | | |

FCI CONFIDENTIAL

FCI

This document is the property of and embodies CONFIDENTIAL and PROPRIETARY information of FCI. No part of the information shown on this document may be used in any way or disclosed to others without the written consent of FCI. Copyright © FCI.

| | |
|-------------|-------------|
| PRODUCT NO. | 94898-505 |
| | 94898-505LF |
| | 94898-535 |
| | 94898-535LF |
| | 94898-545 |
| | 94898-545LF |



- NOTES
- TRUE POSITION IS A FREE GRID TO PIN PATTERN ITSELF.
 - SEE TA-946 FOR PCB LAYOUT.
 - MATERIAL
 - HOUSING : LCP UL94V-0 NATURAL.
 - PIN : PHOSPHOR BRONZE.
 - HOLD-DOWN : BRASS
 - FINISH
 - PIN UNDER PLATING : 0.5µm MIN. Ni.
 - CONTACT AREA : 0.1µm MIN. Au.
 - SOLDER AREA : 2.5µm MIN. Pd-Ni.
 - OR 2.5µm MIN. PURE Sn.
 - OR 2.5µm MIN. PURE Sn.(FOR -XXLF)
 - HOLD-DOWN : 2.5µm MIN. PURE Sn.
 - RECOMMENDED PCB HOLE (OPTIONAL HOLD-DOWN) : 2.34±0.1
 - SEQUENCE PIN ASSIGNMENT
- | | DIM 'X' | | |
|---------|----------|---------|----------|
| | 4.28±0.1 | 3.5±0.1 | 5.0±0.1 |
| PIN No. | OTHERS | 36.67 | 17.54 |
| | | | 38.51.88 |
- GENERAL TOLERANCE : ±0.3
 - SEE SHEET 1 REGARDING COMPONENTS.
 - IF LEAD FREE P/N, THE HOUSING WILL WITHSTAND EXPOSURE TO 260° C PEAK TEMPERATURE FOR 10 SECONDS IN A WAVE SOLDER APPLICATION WITH A 1.00MM MINIMUM THICK CIRCUIT BOARD.
 - LEAD FREE PRODUCT MEETS EUROPEAN UNION DIRECTIVES AND OTHER COUNTRY REGULATIONS AS DESCRIBED IN GS-22-008
 - IF LEAD FREE P/N, PACKAGE MEETS GS-14-920 SPECIFICATION

| | | | | |
|-------------|---------------------------------------|------------|------------|--|
| mat'l. code | surface | tolerance | projection | product family |
| tr | ISO 1302 | ISO 406 | ISO 1101 | |
| ec | tolerances unless otherwise specified | | | title |
| n | angles | linear | MM | 68 POS EJECTOR HEADER ASSY FOR LOW VOLTAGE |
| | ±2' | | scale | |
| | dr | M.Hasegawa | 1/14/98 | dwg no |
| | eng | M.Hasegawa | 1/14/98 | 94898 |
| | chr | | | sheet 7 of 7 size |
| | app | | | A4 |
| sheet | revision | | | type CUSTOMER Drawing |
| index | sheet | | | |