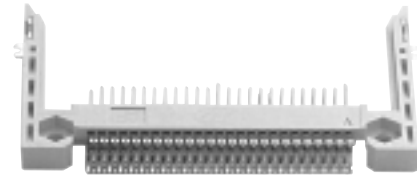
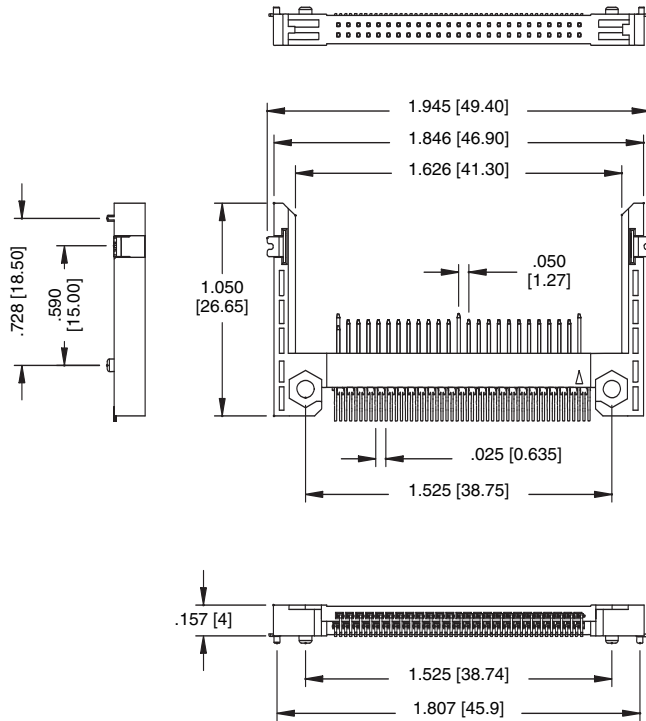
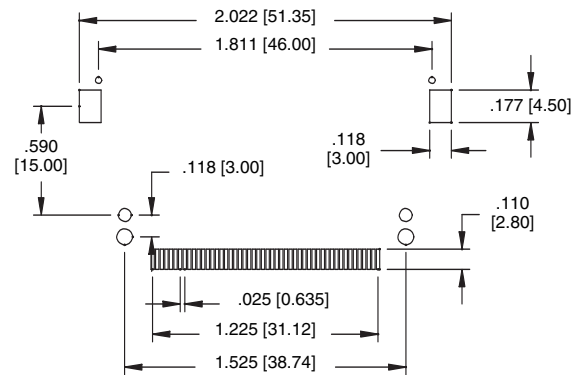


50 PIN COMPACT FLASH

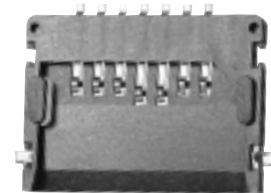
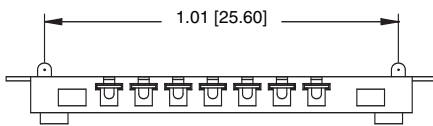


Part Nos. Available
 CF1-50-SG (Normal Type 1)
 CF1-50-SG-R (Reverse Type 1)
 CF2-50-SG (Normal Type 2)
 CF2-50-SG-R (Reverse Type 2)



Recommended PCB Layout

MULTI MEDIA CARD SOCKET



Part Nos. Available
 MMS-07-SG-0 (Without Stand)
 MMS-07-SG-1 (With Stand)

