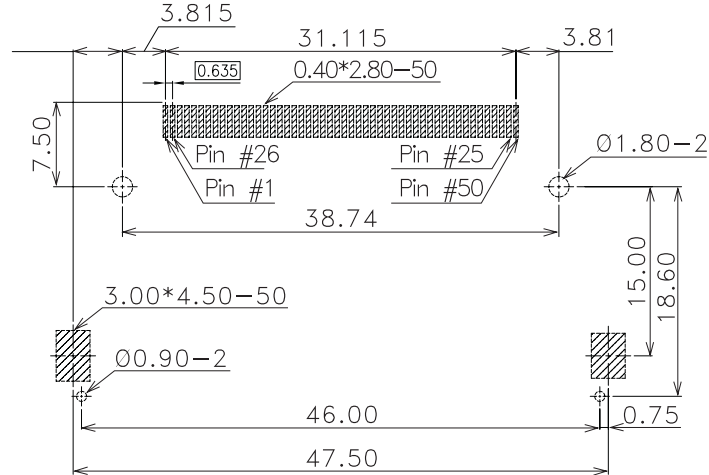
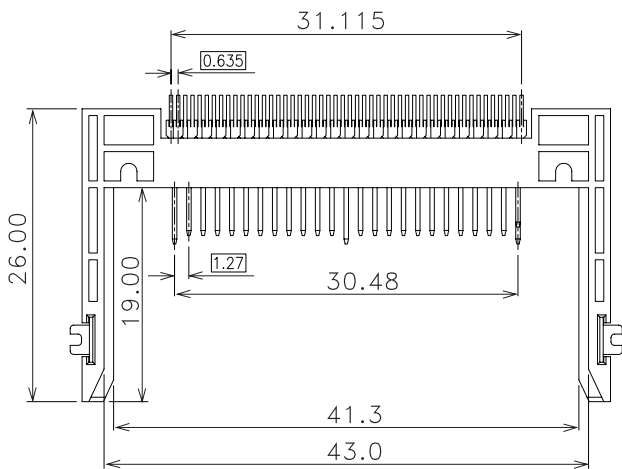
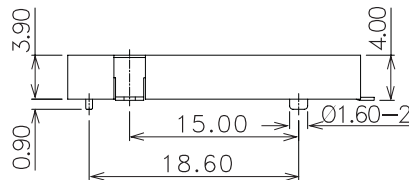
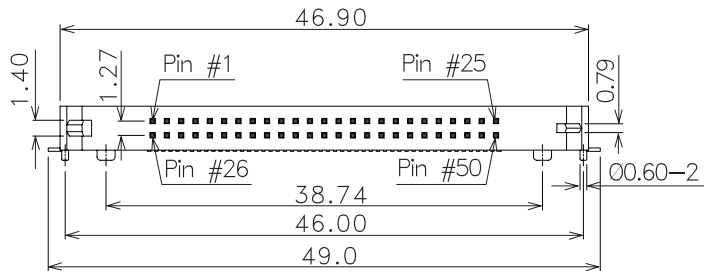


DRAWING No.: IF IN DOUBT -ASK © THIRD ANGLE PROJECTION NOT TO SCALE ALL DIMENSIONS IN mm



PCB Layout (Top View)



1	220202	-
ISS.	DATE	C/N
APPROVED: TED T		
CHECKED: MIKE M		
DRAWN:		
CUSTOMER REF:		
ASSEMBLY DRG:		



THIS INFORMATION AND ANY INFORMATION OR DESCRIPTIVE MATTER SET OUT HEREON ARE CONFIDENTIAL AND COPYRIGHT PROPERTY OF THE HARWIN GROUP AND MUST NOT BE DISCLOSED, LOANED, COPIED OR USED FOR MANUFACTURING, TENDERING OR FOR ANY OTHER PURPOSE WITHOUT THEIR WRITTEN PERMISSION.

TOLERANCES  
 X = ±1mm  
 XX = ±0.25mm  
 XXX = ±0.10mm  
 XXXX = ±0.01mm  
 ANGLES = °  
 UNLESS STATED

MATERIAL:  
 SEE ABOVE

TITLE:  
 CF CONNECTOR NORMAL TYPE, WITHOUT EJECTOR

HARWIN INC  
 U.S.A.  
 TEL: (812)542 2546  
 FAX: (812)542 2541

HARWIN PLC  
 U.K.  
 TEL: 023 9237 0451  
 FAX: 023 9231 4590

HARWIN PTE LTD  
 SINGAPORE  
 TEL: 65 6779 4909  
 FAX: 65 6779 3868

FINISH: SEE ABOVE

DRAWING NUMBER:

S/AREA: mm<sup>2</sup>

M504-7885022

SHT  
 1  
 OF  
 1