



Copyright FCI

| PRODUCT NO. 92789-XXXX | STAND OFF DIM "M"(mm) | HDR SOLDER TAIL | HOLD DOWN | Q'TY | GUIDE ASSY 92791-XXXX | HDR ASSY 92140-XXXX | DIM "P" (mm) | HDR COLOR | SHEET NO. | MOUNT STYLE TO PCB |
|---------------------------|--------------------------|--------------------|-----------|------|--------------------------|------------------------|-----------------|--------------|--------------|--------------------|
| 000 | 0 | R/A | NONE | | 001 | 000 | 2.8 | BLACK | NO.2 | TOP MOUNT |
| 000H | 0 | R/A | 93925-001 | 4 | 001H | 000H | 2.8 | BLACK | | |
| 001 | 0 | SMT STAGGERED | NONE | | 001 | 001 | -- | BLACK | | |
| 001H | 0 | SMT STAGGERED | 93925-001 | 4 | 001H | 001H | -- | BLACK | | |
| 002 | 0 | SMT IN LINE | NONE | | 001 | 002 | -- | BLACK | | |
| 002H | 0 | SMT IN LINE | 93925-001 | 4 | 001H | 002H | -- | BLACK | | |
| 020 | 2 (NO LOCATOR) | R/A | NONE | | 021 | 040 | 2.5 | BLACK | NO.3 | |
| 040 | 4 | R/A | NONE | | 041 | 010 | 2.8 | BLACK | | |
| 040H | 4 | R/A | 93925-003 | 4 | 041H | 010H | 2.8 | BLACK | | |
| 050 | 5 | R/A | NONE | | 051 | 020 | 2.8 | BLACK | NO.4 | BOTTOM MOUNT |
| 050H | 5 | R/A | 93925-004 | 4 | 051H | 020H | 2.8 | BLACK | | |
| 500 | 0 | R/A | NONE | | 001 | 500 | 2.8 | NATURAL | NO.5 | |
| 500H | 0 | R/A | 93925-001 | 4 | 001H | 500H | 2.8 | NATURAL | | |
| 501 | 0 | SMT STAGGERED | NONE | | 001 | 501 | -- | NATURAL | | |
| 501H | 0 | SMT STAGGERED | 93925-001 | 4 | 001H | 501H | -- | NATURAL | | |
| 502 | 0 | SMT IN LINE | NONE | | 001 | 502 | -- | NATURAL | | |
| 502H | 0 | SMT IN LINE | 93925-001 | 4 | 001H | 502H | -- | NATURAL | | |
| 520 | 2 (NO LOCATOR) | R/A | NONE | | 021 | 540 | 2.5 | NATURAL | NO.5 | |
| 540 | 4 | R/A | NONE | | 041 | 510 | 2.8 | NATURAL | | |
| 550 | 5 | R/A | NONE | | 051 | 520 | 2.8 | NATURAL | | |
| 550H | 5 | R/A | 93925-004 | 4 | 051 | 520H | 2.8 | NATURAL | | |

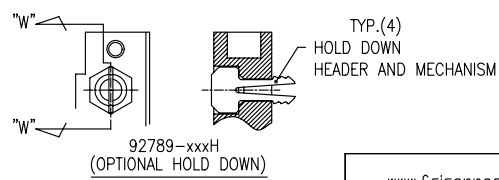
NOTE
 ① OPTIONAL HOLD DOWN (-XXH) CAN BE SELECTED FOR ONLY 0mm STAND OFF (-XXH) VARIATION.
 ② SMT STAGGERED & IN LINE (-XXIX & -XXIX) ARE ASSIGNED TO ONLY 0mm STAND OFF (-XXIX) VARIATION.
 3. ASSY PROCESS
 3.1 TO MOUNT PART ② ON PWB WITH SCREW (S1,S2) AND SOLDER.
 3.2 TO JOINT PART ② INTO PART ①, THEN FIX PART ② WITH 2 SCREWS (S3,S4).
 ③ MATERIAL
 4.1 PART ① (HEADER ASSY)
 HOUSING : LCP UL94V-0
 PIN : PHOSPHOR BRONZE
 HOLD DOWN : BRASS
 4.2 PART ② (GUIDE ASSY)
 GUIDE : POLYPHTHAMIDE UL94V-0
 PLATE : STAINLESS
 EMI CONTACT : PHOSPHOR BRONZE
 HOLD DOWN : BRASS
 ④ FINISH
 HDR PIN : *0.5µm MIN. Ni OVER ALL UNDER PLATING
 *0.1µm MIN. Au OVER 0.5µm MIN. Pd-Ni CONTACT AREA
 *2.5µm MIN. Sn-Pb SOLDER TAIL OR 2.5µm MIN. Sn (FOR -XXXXLF) SOLDER TAIL
 EMI CONTACT : PRE-PLATING
 *0.5µm MIN. Ni OVER ALL UNDER PLATING
 *0.5µm MIN. Au CONTACT AREA
 HOLD DOWN : 2.5µm MIN. Sn OVER ALL.
 6. DIM L

| | | |
|----------|---------|---------|
| 4.25±0.1 | 3.5±0.1 | 5.0±0.1 |
| OTHERS | 36.67 | 33.16 |

 7. GENERAL TOLERANCE : ±0.3
 8. SEE SHEET 1,2. REGARDING COMPONENTS.
 9. THIS PRODUCT MEETS EUROPEAN UNION DIRECTIVES AND OTHER COUNTRY REGULATIONS AS DESCRIBED IN GS-22-008.

* 92789-XXXX
 NOTE ① OPTIONAL LEAD FREE
 NOTE ② OPTIONAL HOLD DOWN
 NOTE ③ HDR SOLDER TAIL
 STAND OFF HEIGHT (DIM "M")
 MOUNT STYLE TO PCB

NONE : N □
 LF : YES
 NONE : N □
 H : YES/SEE FIGURE OF -XXXXH
 0 : R/A
 1 : SMT STAGGERED
 2 : SMT IN LINE
 0 : 0mm(NONE)
 2 : 2mm
 4 : 4mm
 5 : 5mm
 0 : TOP MOUNT
 5 : BOTTOM MOUNT



| rev | ecn no | dr | date |
|-----|----------|------|----------|
| J | 005-0215 | MH | 4/11/05 |
| K | 005-0128 | vB J | 05/19/05 |
| L | 007-0114 | CM | 05/14/07 |
| M | 009-0381 | SH | 11/30/09 |

| | | | | | |
|-------------------------|--|----------------|---|------------|--------|
| www.fciconnect.com | | surface | tolerance std | projection | MM |
| Dr: M.Hasegawa 4/11/05 | | ANGULAR | 0.X ± 0.3 | size | Scale |
| Eng: M.Hasegawa 4/11/05 | | LINEAR | 0.XX ± 0.15 | ECN | |
| Chr: M.Hasegawa 4/11/05 | | 0° ± 2° | 0.XXX ± 0.08 | Spec ref | |
| Appr: | | Product family | Header P/MCIA SANF | | |
| FCI | | title | 68P LONG HEADER TYPE I / II / III (WITH EMI CLIP) | part no | 92789 |
| | | catalog no | CUSTOMER DRAWING | sheet | 1 of 7 |

REV E - 200-00-00

| PRODUCT NO. 92789-XXXX | STAND OFF DIM "M"(mm) | HDR SOLDER TAIL | HOLD DOWN | | GUIDE ASSY 92791-XXXX | HDR ASSY 92140-XXXX | DIM "P" (mm) | HDR COLOR | SHEET NO. | MOUNT STYLE TO PCB |
|---------------------------|--------------------------|--------------------|-----------|------|--------------------------|------------------------|-----------------|--------------|--------------|--------------------|
| | | | | Q'TY | | | | | | |
| 000LF | 0 | R/A | NONE | | 001LF | 000 | 2.8 | BLACK | NO.2 | TOP MOUNT |
| 000HLF | 0 | R/A | YES | 4 | 001HLF | 000H | 2.8 | BLACK | | |
| 001 | 0 | SMT STAGGERED | NONE | | 001 | 001 | —#— | BLACK | | |
| 001H | 0 | SMT STAGGERED | YES | 4 | 001H | 001H | —#— | BLACK | | |
| 002 | 0 | SMT IN LINE | NONE | | 001 | 002 | —#— | BLACK | | |
| 002H | 0 | SMT IN LINE | YES | 4 | 001H | 002H | —#— | BLACK | | |
| 020LF | 2 (NO LOCATOR) | R/A | NONE | | 021LF | 040 | 2.5 | BLACK | NO.3 | BOTTOM MOUNT |
| 040LF | 4 | R/A | NONE | | 041LF | 010 | 2.8 | BLACK | | |
| 040HLF | 4 | R/A | YES | 4 | 041HLF | 010H | 2.8 | BLACK | | |
| 050LF | 5 | R/A | NONE | | 051LF | 020 | 2.8 | BLACK | | |
| 050HLF | 5 | R/A | YES | 4 | 051HLF | 020H | 2.8 | BLACK | | |
| 055LF | 5 | R/A | YES | 2 | 051MH | 021MLF | 2.8 | BLACK | | |
| 500LF | 0 | R/A | NONE | | 001LF | 500 | 2.8 | NATURAL | NO.4 | BOTTOM MOUNT |
| 500HLF | 0 | R/A | YES | 4 | 001HLF | 500H | 2.8 | NATURAL | | |
| 501 | 0 | SMT STAGGERED | NONE | | 001 | 501 | —#— | NATURAL | | |
| 501H | 0 | SMT STAGGERED | YES | 4 | 001H | 501H | —#— | NATURAL | | |
| 502 | 0 | SMT IN LINE | NONE | | 001 | 502 | —#— | NATURAL | | |
| 502H | 0 | SMT IN LINE | YES | 4 | 001H | 502H | —#— | NATURAL | | |
| 520LF | 2 (NO LOCATOR) | R/A | NONE | | 021LF | 540LF | 2.5 | NATURAL | NO.5 | |
| 540LF | 4 | R/A | NONE | | 041LF | 510LF | 2.8 | NATURAL | | |
| 550LF | 5 | R/A | NONE | | 051LF | 520LF | 2.8 | NATURAL | | |
| 550HLF | 5 | R/A | YES | 4 | 051LF | 520HLF | 2.8 | NATURAL | | |
| 540HLF | 4 | R/A | YES | 4 | 041HLF | 510HLF | 2.8 | NATURAL | | |

NOTE
 ① OPTIONAL HOLD DOWN (—XXXH) CAN BE SELECTED FOR ONLY 0mm STAND OFF (—XXH) VARIATION.
 ② SMT STAGGERED & IN LINE (—XX1X & —XX2X) ARE ASSIGNED TO ONLY 0mm STAND OFF (—XX) VARIATION.

3. ASSY PROCESS
 3.1 TO MOUNT PART ③ ON PWB WITH SCREW (S1,S2) AND SOLDER.
 3.2 TO JOINT PART ③ INTO PART ④, THEN FIX PART ④ WITH 2 SCREWS (S3,S4).

④ MATERIAL
 4.1 PART ③ (HEADER ASSY)
 HOUSING : LCP UL94V-0
 PIN : PHOSPHOR BRONZE
 HOLD DOWN : BRASS
 4.2 PART ④ (GUIDE ASSY)
 GUIDE : POLYPHTHARAMID UL94V-0
 PLATE : STAINLESS
 EMI CONTACT : PHOSPHOR BRONZE
 HOLD DOWN : BRASS

⑤ FINISH
 HDR PIN : *0.5µm MIN. Ni OVER ALL UNDER PLATING
 *0.1µm MIN. Au OVER 0.5µm MIN. Pd-Ni CONTACT AREA
 *2.5µm MIN. Sn-Pb SOLDER TAIL OR 2.5µm MIN. Sn (FOR —XXXXLF) SOLDER TAIL
 EMI CONTACT : PRE-PLATING
 *0.5µm MIN. Ni OVER ALL UNDER PLATING
 *0.5µm MIN. Au CONTACT AREA.
 HOLD DOWN : 2.5µm MIN. Sn OVER ALL.

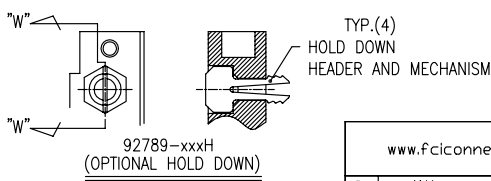
6. DIM'L"

| | | |
|----------|---------|------------------|
| 4.25±0.1 | 3.5±0.1 | 5.0±0.1 |
| OTHERS | 36.67 | 0.125 36.5125 |

7. GENERAL TOLERANCE : ±0.3
 8. SEE SHEET 1,2. REGARDING COMPONENTS.
 9. THIS PRODUCT MEETS EUROPEAN UNION DIRECTIVES AND OTHER COUNTRY REGULATIONS AS DESCRIBED IN GS-22-00B.

92789-XXXX
 NOTE ①
 OPTIONAL LEAD FREE
 LF : YES
 NOTE ②
 OPTIONAL HOLD DOWN
 NOTE ③
 HDR SOLDER TAIL
 STAND OFF HEIGHT (DIM "M")
 MOUNT STYLE TO PCB

NONE : N D
 LF : YES
 NONE : N D
 H : YES/SEE FIGURE OF —XXXH
 0 : R/A
 1 : SMT STAGGERED
 2 : SMT IN LINE
 0 : 0mm(NONE)
 2 : 2mm
 4 : 4mm
 5 : 5mm
 0 : TOP MOUNT
 5 : BOTTOM MOUNT



| rev | ecn no | dr | date |
|-----|----------|-------|----------|
| J | 005-0215 | MH | 4/11/05 |
| K | N05-0128 | v/b J | 05/19/05 |
| L | N07-0114 | CM | 05/14/07 |

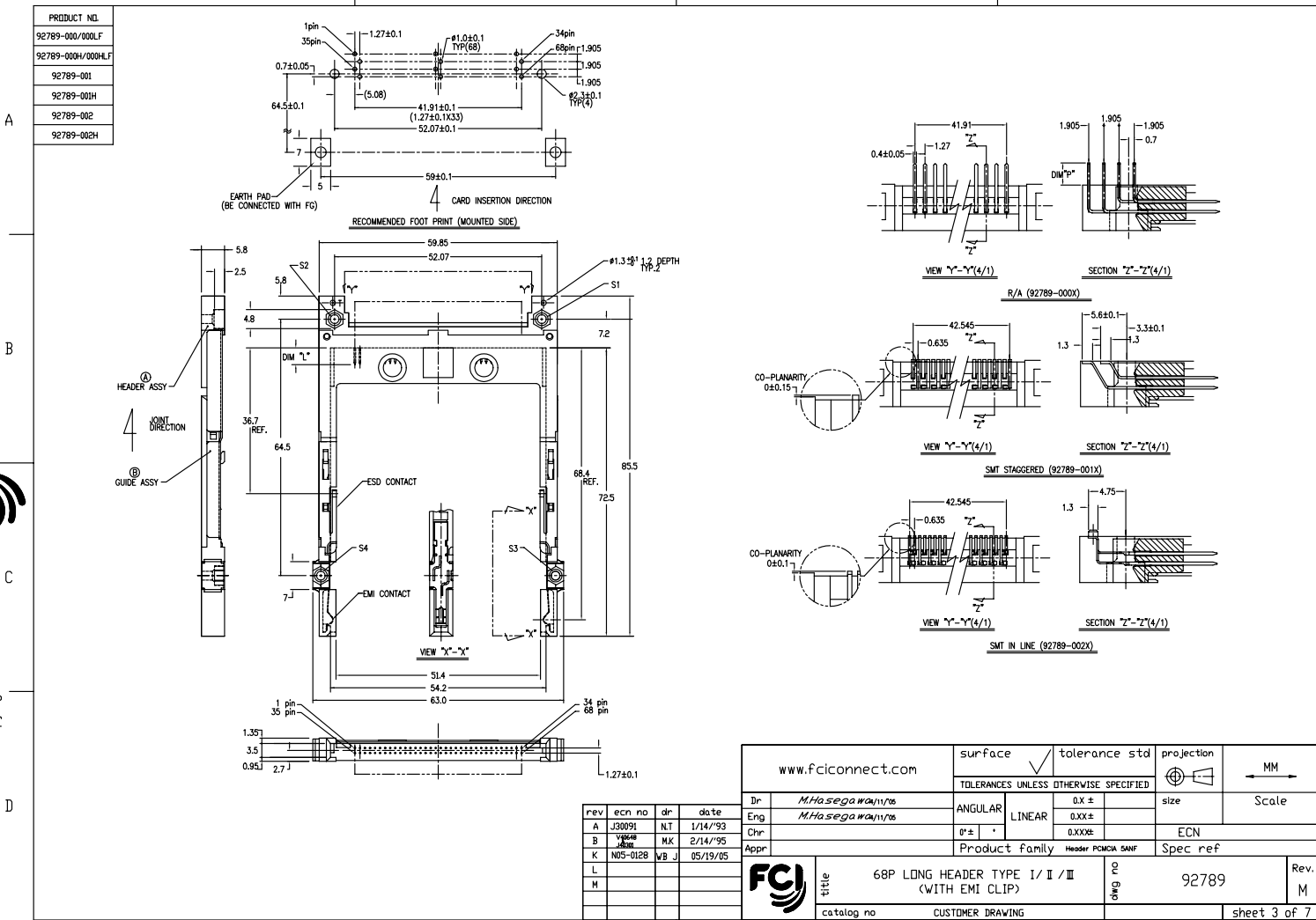
| | | | | | |
|---------------------|--|---|---------------|--------------------|--------|
| www.fciconnect.com | | surface | tolerance std | projection | MM |
| | | ANGULAR | LINEAR | size | Scale |
| Dir: M.Hasegawa/n/s | | TOLERANCES UNLESS OTHERWISE SPECIFIED | | ECN | |
| Eng: M.Hasegawa/n/s | | 0.X ± | 0.XXX ± | Spec ref | |
| Chr: | | 0° ± | 0.XXX ± | | |
| Appr: | | Product family | | Header PDMCIA SANF | |
| M | | title | | 92789 | Rev. M |
| | | 68P LONG HEADER TYPE I / II / III (WITH EMI CLIP) | | sheet 2 of 7 | |
| | | catalog no | | CUSTOMER DRAWING | |

3 PDM: Rev:M STATUS Released 4 Printed: Oct 12, 2010



Copyright FCI

1 2 3 4



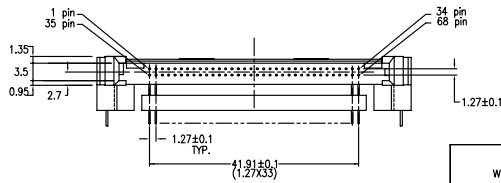
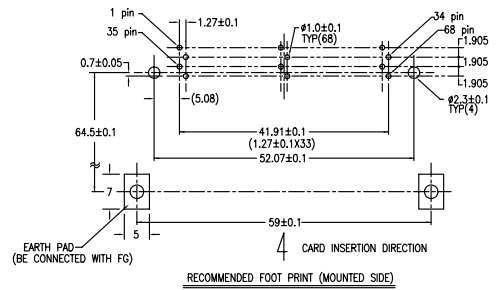
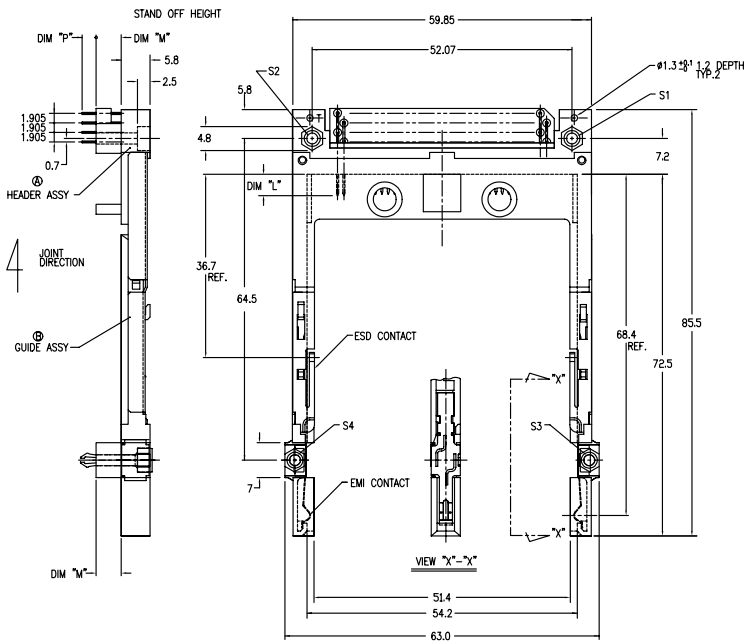
Copyright FCI.

| rev | ecn no | dr | date |
|-----|----------|------|----------|
| A | J30091 | NT | 1/14/93 |
| B | Y8648 | M.K | 2/14/95 |
| K | N05-0128 | VB J | 05/19/05 |
| L | | | |
| M | | | |

| | | | | | |
|--------------------|--|--|-------------------|--------------|--------|
| www.fciconnect.com | | surface | tolerance std | projection | MM |
| Dr M.Hasegawa/n/r | | TOLERANCES UNLESS OTHERWISE SPECIFIED | | size | Scale |
| Eng M.Hasegawa/n/r | | ANGULAR | 0.X ± | ECN | |
| Chr | | LINEAR | 0.XX ± | Spec ref | |
| Appr | | Product family | Header PCMCIA 5MM | | |
| FCI | | title 68P LONG HEADER TYPE I / I / III (WITH EMI CLIP) | | dwg no 92789 | Rev. M |
| catalog no | | CUSTOMER DRAWING | | sheet 3 of 7 | |

3 PDM: Rev:M STATUS Released 4 Printed: Oct 12, 2010

| |
|-------------------|
| PRODUCT NO. |
| 92789-020/020LF |
| 92789-040/040LF |
| 92789-040H/040HLF |
| 92789-050/050LF |
| 92789-050H/050HLF |



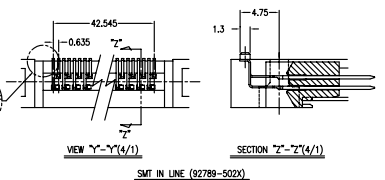
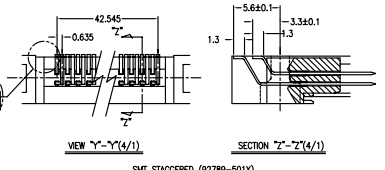
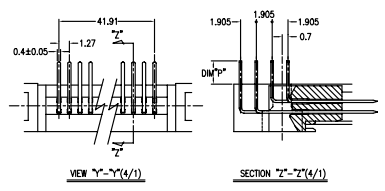
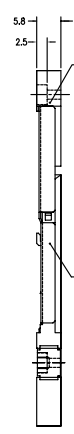
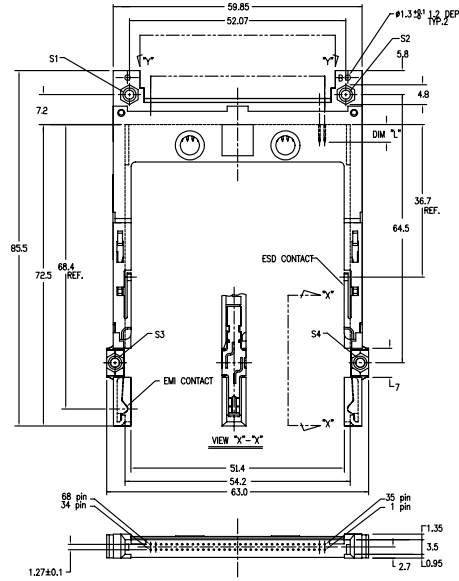
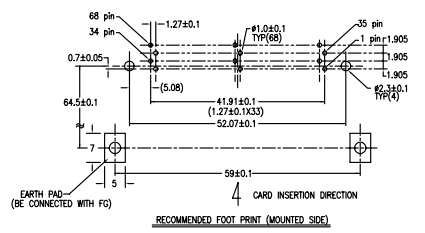
| rev | ecn no | dr | date |
|-----|----------|----|----------|
| D | V81446 | SK | 11/13/98 |
| E | J05-0198 | NH | 4/7/05 |
| K | N05-0128 | VB | 05/19/05 |
| L | | | |
| M | | | |

| | | | | | |
|---------------------------|--|---|---------------|----------------------------------|--------|
| www.fciconnect.com | | surface | tolerance std | projection | MM |
| Dr <i>M.Hasegawa/n/r</i> | | TOLERANCES UNLESS OTHERWISE SPECIFIED | | size | Scale |
| Eng <i>M.Hasegawa/n/r</i> | | ANGULAR | LINEAR | | |
| Chr | | Ø ± | * | Product family Header PCMDA SANF | |
| Appr | | Product family | | Spec ref | |
| FCJ | | 68P LONG HEADER TYPE I / II / III (WITH EMI CLIP) | | 92789 | Rev. M |
| catalog no | | CUSTOMER DRAWING | | sheet 4 of 7 | |

PDM: Rev:M STATUS Released 4 Printed: Oct 12, 2010

1 2 3 4

| | |
|-------------|-------------------|
| PRODUCT NO. | 92789-500/500LF |
| | 92789-500H/500HLF |
| | 92789-501 |
| | 92789-501H |
| | 92789-502 |
| | 92789-502H |



| | | | | | |
|--------------------|------------------|--|---------------|--------------------|----------|
| www.fciconnect.com | | surface | tolerance std | projection | MM |
| | | TOLERANCES UNLESS OTHERWISE SPECIFIED | | size | Scale |
| Dr | M.Hasegawa/n/y/s | ANGULAR | 0.X ± | | |
| Eng | M.Hasegawa/n/y/s | LINEAR | 0.XXX ± | | |
| Chr | | 0 ± | 0.XXX ± | | ECN |
| Appr | | Product family | | Header PCMCIA SANF | Spec ref |
| FCI | | 68P LONG HEADER TYPE I / II / III (WITH EMI CLIP) | | 92789 | Rev. M |
| catalog no | | CUSTOMER DRAWING | | sheet 5 of 7 | |

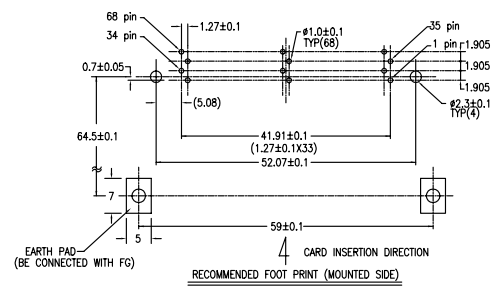
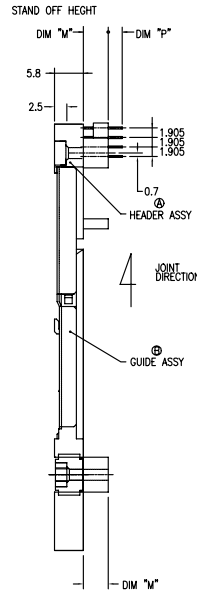
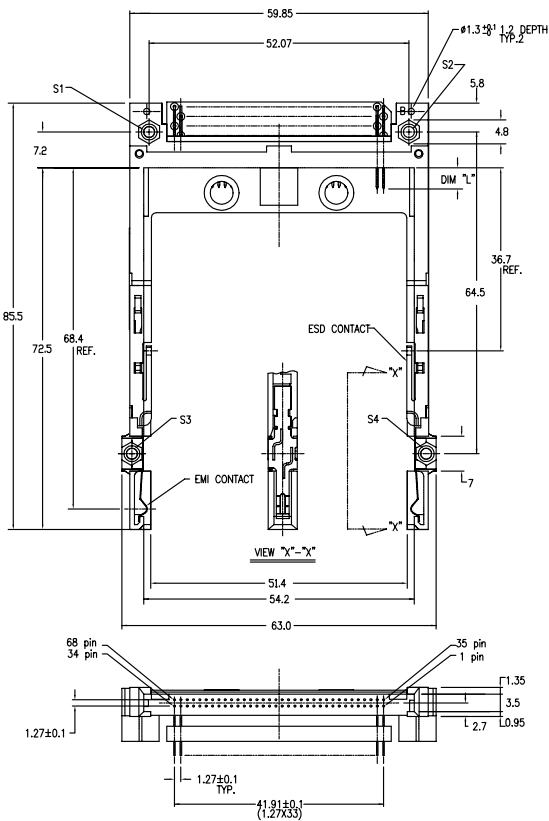
| rev | ecn no | dr | date |
|-----|----------|-------|----------|
| A | J30091 | N.T | 1/14/93 |
| B | J30110 | N.T | 4/6/93 |
| C | Y9949 | M.K | 2/14/95 |
| K | N05-0128 | W.B.J | 05/19/05 |
| L | | | |
| M | | | |

PDM: Rev:M STATUS Released 4 Printed: Oct 12, 2010



Copyright FCI.

| PRODUCT NO. | |
|------------------------|---|
| 92789-520/520LF | △ |
| 92789-540/540LF/540HLF | △ |
| 92789-550/550LF | △ |
| 92789-550H/550HLF | △ |



Copyright FCI.

| rev | ecn no | dr | date |
|-----|----------|------|----------|
| A | J3091 | NT | 1/14/93 |
| B | J3091 | MK | 2/14/95 |
| C | J03-0307 | MH | 7/16/93 |
| K | N05-0128 | VB J | 05/19/05 |
| L | N07-0114 | CM | 05/14/07 |
| M | | | |

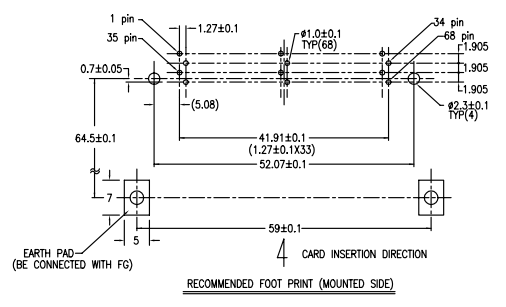
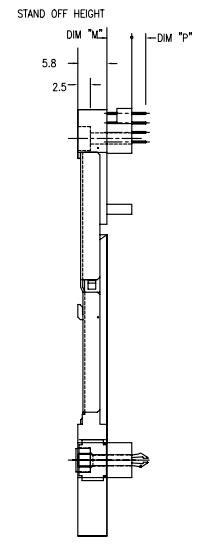
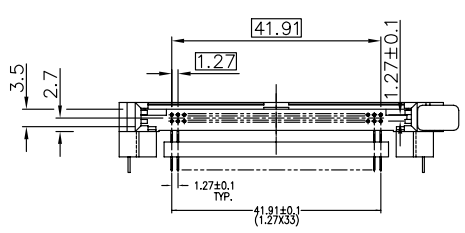
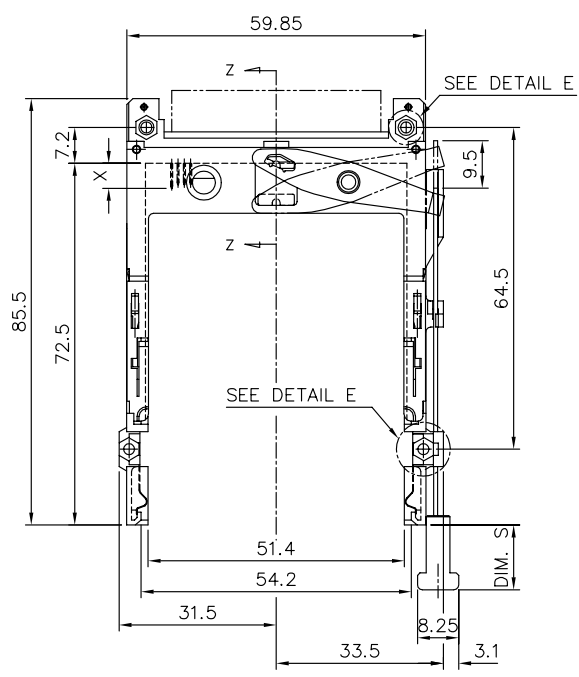
| | | | | | |
|---------------------|--|---|---------------|--------------|---------|
| www.fciconnect.com | | surface | tolerance std | projection | MM |
| Dr: M.Hasegawa/mrs | | TOLERANCES UNLESS OTHERWISE SPECIFIED | | size | Scale |
| Eng: M.Hasegawa/mrs | | ANGULAR | LINEAR | 0.X ± | 0.XXX ± |
| Chr: | | 0° ± | ° | 0.XXX ± | |
| Appr: | | Product family | | ECN | |
| | | Header: PCMCIA 5MM | | Spec ref | |
| FCI | | 68P LONG HEADER TYPE I / II / III (WITH EMI CLIP) | | 92789 | Rev. M |
| catalog no | | CUSTOMER DRAWING | | sheet 6 of 7 | |

PDM: Rev:M STATUS Released 4 Printed: Oct 12, 2010



Copyright FCI.

PRODUCT NO.
92789-05SCALF



| rev | ecn no | dr | date |
|-----|----------|----|----------|
| D | V81446 | SK | 11/13/98 |
| E | J05-0198 | NH | 4/7/05 |
| K | N05-0128 | VB | 05/19/05 |
| L | | | |
| M | | | |

| | | | | | |
|---------------------------|--|---|---------------|-------------------|----------|
| www.fciconnect.com | | surface | tolerance std | projection | MM |
| Dir <i>M.Hasegawa/nrs</i> | | TOLERANCES UNLESS OTHERWISE SPECIFIED | | | Scale |
| Eng <i>M.Hasegawa/nrs</i> | | ANGULAR | LINEAR | 0.X ± | size |
| Chr | | 0° ± | ° | 0.XXX ± | ECN |
| Appr | | Product family | | Header PCMDA SANF | Spec ref |
| | | title | | 92789 | Rev. M |
| | | 68P LONG HEADER TYPE I / II / III (WITH EMI CLIP) | | sheet 7 of 7 | |
| | | catalog no | | CUSTOMER DRAWING | |

PDM: Rev:M STATUS Released 4 Printed: Oct 12, 2010