

PRODUCT NO.
92790

REVISIONS				
REV	DESCRIPTION	ECN	BY	DATE
A	RELEASED	136018	NT	11/19/91
B	REVISED	150085	MX	11/14/95

PRODUCT NO.	STAND OFF DIM *M (mm)	LONG HDR (UPPER DECK)			LONG HDR (LOWER DECK)			HDR COLOR	SHEET NO.	MOUNTING STYLE TO PCB
		HDR+GUIDE 92794-XXX	GUIDE 92791-XXX	HDR 92140-XXX	HDR+GUIDE 92789-XXX	GUIDE 92791-XXX	HDR 92140-XXX			
000	0	000	001	005	000	001	000	BLACK	NO.2	
020	2	020	001	045	020	021	040	BLACK	NO.3	
500	0	500	001	505	500	001	500	NATURAL	NO.4	
520	2	520	001	545	520	021	540	NATURAL	NO.5	

92790-XXX
 — HDR SOLDER TAIL 0 : R/A
 — STAND OFF HEIGHT 0 : 0mm(NONE)
 (DIM *M) 2 : 2mm
 — MOUNT STYLE TO PCB 0 : TOP MOUNT
 5 : BOTTOM MOUNT

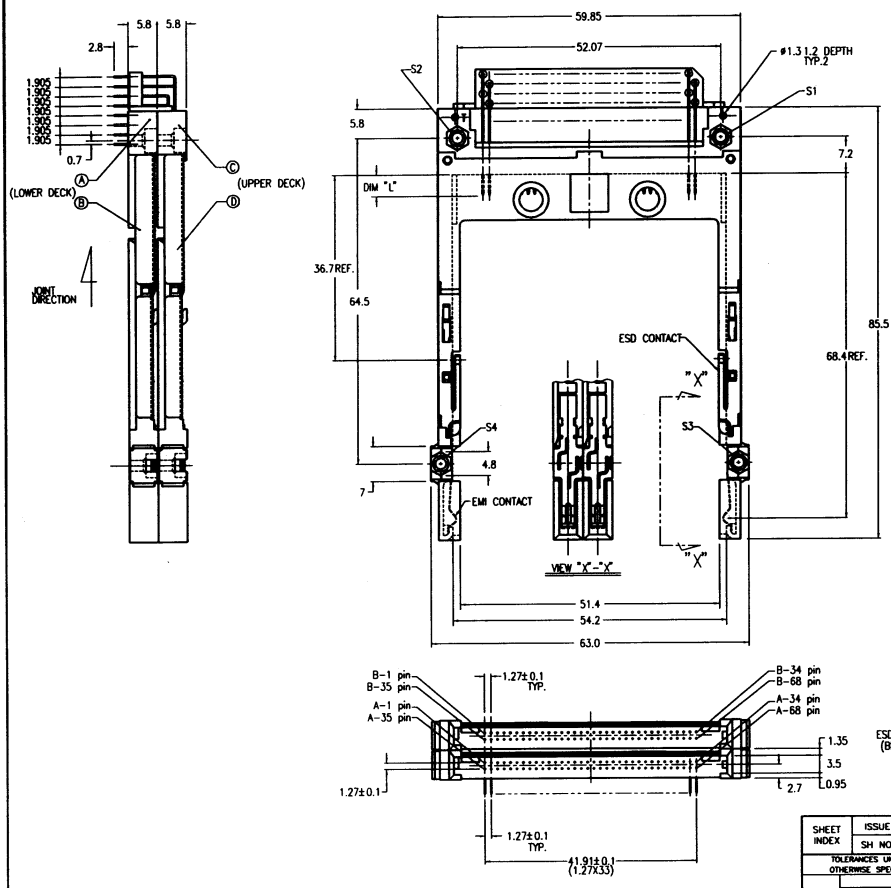
SHEET INDEX	ISSUE	B	B	B	B	B										
SH. NO.	1	2	3	4	5											
TOLERANCES UNLESS OTHERWISE SPECIFIED	MM			—			—			—			—			
LINEAR	—			—			—			—			—			
ANGLES	—			—			—			—			—			

DR	S. Parvada	DATE	4/17/95	CUSTOMER				
ENGR	M. Kojima	DATE	4/17/95	COPY				
CHK	C. Lopez	DATE	4/18/95	TITLE				
APPR	R. Lopez	DATE	4/18/95	BERG DOUBLE LONG HEADER FOR TYPE I / II / III (WITH EMI CLIP)				
				SCALE	SIZE	DWG. NO.	REV	SHEET
				—	C	92790	B	1 of 5



PRODUCT NO.
92790-000

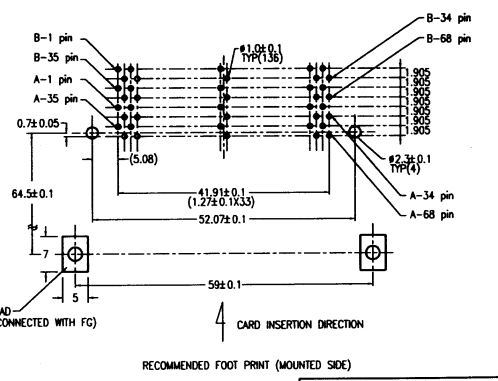
REVISIONS				
REV	DESCRIPTION	ECN	BY	DATE
A	RELEASED	130018	ML	7/29/93
B	REVISED	150085	MJK	07/98



NOTE

- ASSY PROCESS
 - TO MOUNT PART ①, ② ON PWB WITH SCREW (S1,S2) AND SOLDER.
 - TO JOINT PART ③, ④ INTO PART ①, ② THEN FIX PART ③, ④ WITH 2 SCREWS(S3,S4).
- MATERIAL
 - PART ①, ② (HEADER ASSY)
 - PLASTIC : HOUSING LCP UL94V-0 BLACK
 - LOCATOR G.F./S NYLON UL94V-0 BLACK
 - PIN : PHOSPHOR BRONZE
 - PART ③, ④ (GUIDE ASSY)
 - PLASTIC : GUIDE POLYPHTHARAMID UL94V-0 BLACK
 - PLATE : STAINLESS
 - EMI CONTACT : PHOSPHOR BRONZE
- FINISH(PIN)
 - UNDER PLATING : 0.5 μm MIN.Ni
 - CONTACT AREA : 0.1 μm MIN. Au OVER 0.5 m MIN. Pd-Ni
 - SOLDER TAIL : 2.5 μm MIN. Sn-Pb
- DIM "L"

4.25±0.1	3.5±0.1	5.0±0.1
OTHERS	36.67	37.25
		35.1m
- GENERAL TOLERANCE : ±0.3
- SEE SHEET 1 REGARDING COMPONENTS.



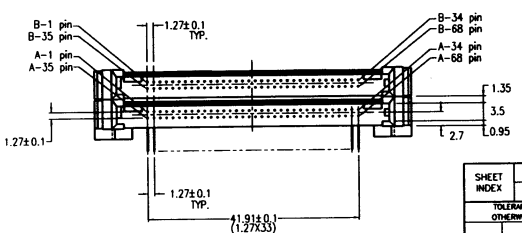
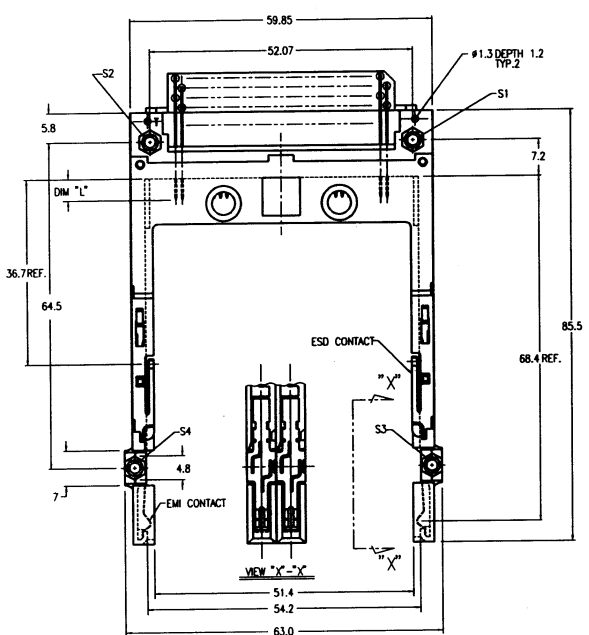
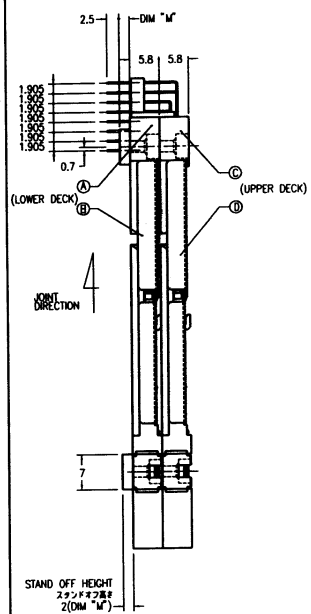
SHEET INDEX	ISSUE	SH. NO.	DATE	CUSTOMER COPY	TITLE
	ISSUE		4/17/95		6SP DOUBLE LONG HEADER FOR TYPE 1/ II / III (WITH EMI CLIP)
	REVISION		4/17/95		
	REVISION		5/17/97		

TOLERANCES UNLESS OTHERWISE SPECIFIED
 LINEAR
 ANGLES
 SCALE: SIZE 1/ II / III (WITH EMI CLIP)
 SHEET NO. 2/1 C. DWG. NO. 92790 REV. SHEET 8 2of

BERG
ELECTRONICS

REVISIONS				
REV	DESCRIPTION	ECN	BY	DATE
A	RELEASED	130018	N.I	11/19/93
B	REVISED	150085	M.K	11/17/93

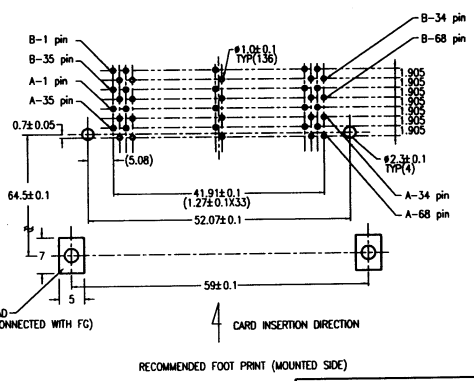
PRODUCT NO.
92790-020



NOTE

- ASSY PROCESS
 - TO MOUNT PART ④, ⑤, ⑥ ON PWB WITH SCREW (S1,S2) AND SOLDER.
 - TO JOINT PART ⑦, ⑧ INTO PART ④, ⑤ THEN FIX PART ④, ⑤ WITH 2 SCREWS(S3,S4).
- MATERIAL
 - PART ④, ⑤ (HEADER ASSY)
 PLASTIC : HOUSING LCP UL94V-0 BLACK
 LOCATOR : C1/S/B NYLON UL94V-0 BLACK
 PIN : PHOSPHOR BRONZE
 - PART ⑥, ⑦ (GUIDE ASSY)
 PLASTIC : GUIDE POLY(PTHT)ARIMID UL94V-0 BLACK
 PLATE : STAINLESS
 EMI CONTACT : PHOSPHOR BRONZE
- FINISH(PIN)
 UNDER PLATING : 0.5 μm MIN. Ni
 CONTACT AREA : 0.1 μm MIN. Au OVER 0.5 μm MIN. Pd-Ni
 SOLDER TAIL : 2.5 μm MIN. Sn-Pb
- DM "L"

4.25±0.1	3.5±0.1	5.0±0.1
OTHERS	36.67	33.5mm
- GENERAL TOLERANCE : ±0.3
- SEE SHEET 1 REGARDING COMPONENTS.



BY: 9234 REV. C
DO NOT SCALE PRINT THIS INFORMATION IS CONFIDENTIAL AND IS DISCLOSED TO YOU ON CONDITION THAT NO FURTHER DISCLOSURE IS MADE BY YOU TO OTHER THAN BERG PERSONNEL WITHOUT WRITTEN APPROVAL FROM BERG ELECTRONICS JAPAN K.K. ANGLES

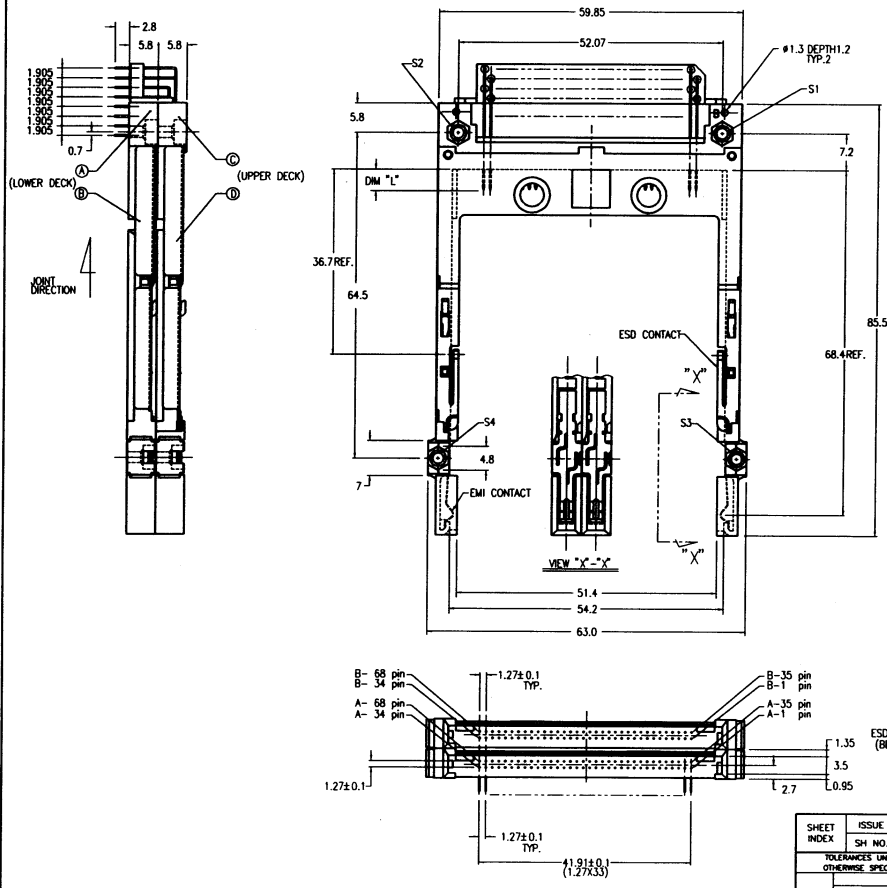
SHEET INDEX	ISSUE	SH. NO.	DATE	CUSTOMER COPY	SCALE	SIZE	DRWG. NO.	REV. SHEET
	SEE NOTE ①		4/17/93		2/1	C	92790	B 3of
	SEE NOTE ②		11/19/93					

BERG
ELECTRONICS

TITLE: 68P DOUBLE LONG HEADER FOR TYPE I / II / III (WITH EMI CLIP)

PRODUCT NO.
92790-500

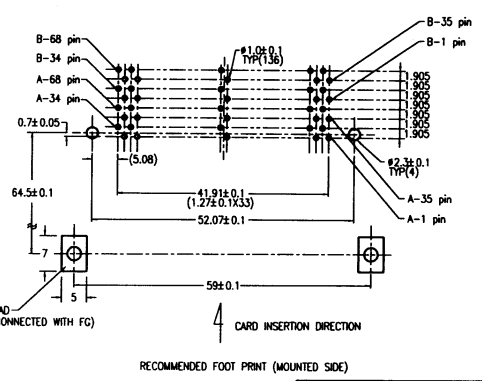
REVISIONS			
REV	DESCRIPTION	ECN	BY DATE
A	RELEASED		US0018/NT 1/19/79
B	REVISED		US0008/MLK 1/27/79



NOTE

- ASSY PROCESS
 - TO MOUNT PART ①, ② ON PWB WITH SCREW (S1,S2) AND SOLDER.
 - TO JOINT PART ③, ④ INTO PART ①, ② THEN FIX PART ⑤, ⑥ WITH 2 SCREWS(S3,S4).
- MATERIAL
 - PART ①, ② (HEADER ASSY)
 - PLASTIC : HOUSING LCP UL94V-0 NATURAL
 - LOCATOR : G.F.6/8 NYLON UL94V-0 BLACK
 - PIN : PHOSPHOR BRONZE
 - PART ③, ④ (GUIDE ASSY)
 - PLASTIC : GUIDE POLYPHTHARAMID UL94V-0 BLACK
 - PLATE : STAINLESS
 - EMI CONTACT : PHOSPHOR BRONZE
- FINISH(PIN)
 - UNDER PLATING : 0.5 μm MIN. Ni
 - CONTACT AREA : 0.1 μm MIN. Au OVER 0.5 μm MIN. Pd-Ni
 - SOLDER TAIL : 2.5 μm MIN. Sn-Pb
- DIM "L"

4.25 ± 0.1	3.5 ± 0.1	5.0 ± 0.1
OTHERS	36.67	33.5
- GENERAL TOLERANCE : ± 0.3
- SEE SHEET 1 REGARDING COMPONENTS.



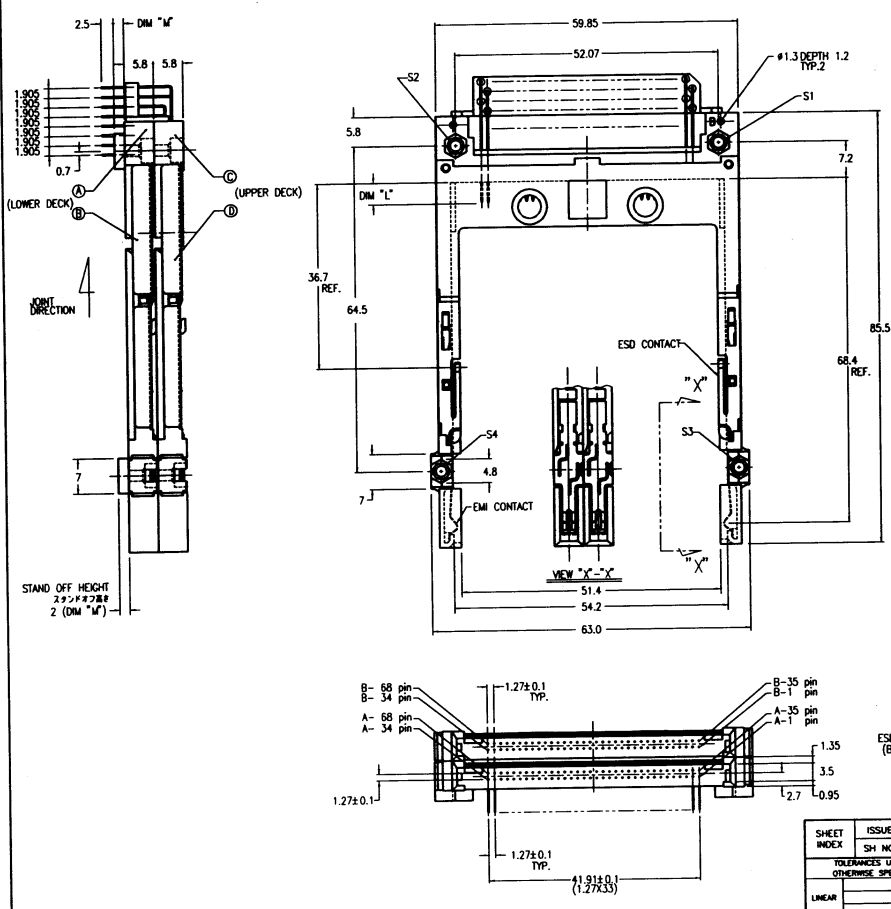
07-0034 REV. C
DO NOT SCALE PRINT THIS INFORMATION IS CONFIDENTIAL AND IS DISCLOSED TO YOU ON CONDITION THAT NO FURTHER DISCLOSURE IS MADE BY YOU TO OTHER THAN BERG PERSONNEL WITHOUT WRITTEN APPROVAL FROM BERG ELECTRONICS JAPAN CO.

SHEET INDEX	ISSUE	SH NO.	DATE	BY	CHKD	APPV	CUSTOMER COPY	TITLE
								68P DOUBLE LONG HEADER FOR TYPE I / II / III (WITH EMI CLIP)
								SCALE SIZE (DWG. NO.)
								2/1 C 92790 B 4 of

BERG ELECTRONICS

REVISIONS			
REV	DESCRIPTION	ECN	BY DATE
A	RELEASED	130018	N.T. 1/29/79
B	REVISED	150085M.K.	4/27/79

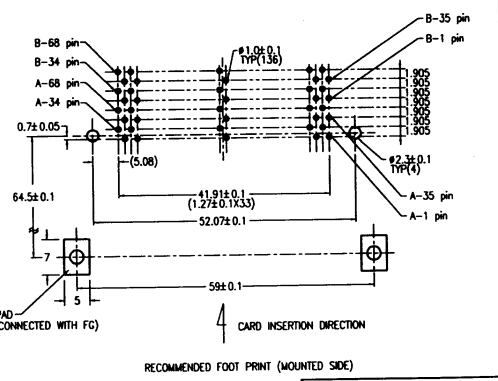
PRODUCT NO.
92790-520



NOTE

- ASSY PROCESS
 - TO MOUNT PART ②, ③ ON PWB WITH SCREW (S1,S2) AND SOLDER.
 - TO JOINT PART ②, ③ INTO PART ①, ④ THEN FIX PART ②, ③ WITH 2 SCREWS(S3,S4).
- MATERIAL
 - PART ①, ④ (HEADER ASSY)
 PLASTIC : HOUSING LCP UL94V-0 NATURAL
 LOCATOR : L.C.F. 6/8 NYLON UL94V-0 BLACK
 PIN : PHOSPHOR BRONZE
 - PART ②, ③ (GUIDE ASSY)
 PLASTIC : GUIDE POLYPHTHAMID UL94V-0 BLACK
 PLATE : STAINLESS
 EMI CONTACT : PHOSPHOR BRONZE
- FINISH(PIN)
 - UNDER PLATING : 0.5 μm MIN. Ni
 - CONTACT AREA : 0.1 μm MIN. Au OVER 0.5 μm MIN. Pd-Ni
 - SOLDER TAIL : 2.5 μm MIN. Sn-Pb
- DIM "L"

4.25±0.1	3.58±0.1	5.0±0.1
OTHERS	36.67	36.67
- GENERAL TOLERANCE : ±0.3
- SEE SHEET 1 REGARDING COMPONENTS.



SHEET INDEX	ISSUE	SH NO.	DATE	CUSTOMER COPY	SCALE	SIZE	UNIC. NO.	REV. SHEET
1	ISSUE	1	4/17/79	✓	1/8"	C	92790	B 5 of 5

BERG
ELECTRONICS

68P DOUBLE LONG HEADER
FOR TYPE I / II / III (WITH EMI CLIP)