

DRAWING No.: M502-6860942

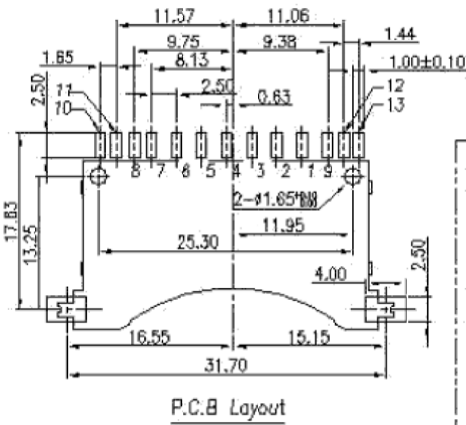
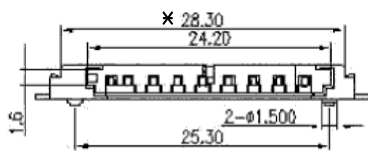
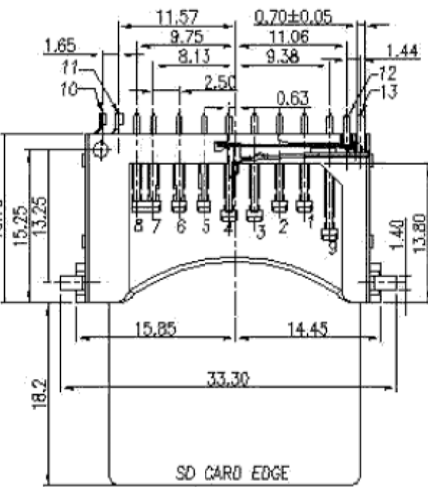
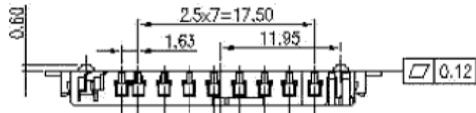
IF IN DOUBT - ASK

©

NOT TO SCALE

THIRD ANGLE PROJECTION

ALL DIMENSIONS IN mm

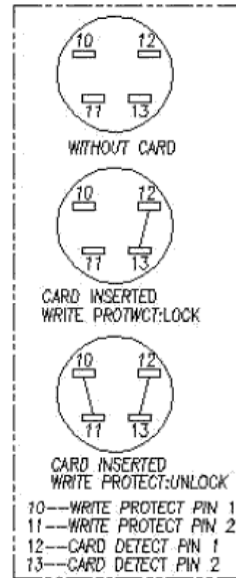


P.C.B Layout

NOTES: ALL DIMENSIONS AND NOTES MARKED * ARE CRITICAL AND MUST BE CHECKED IN ACCORDANCE WITH QUALITY DOC. QI-02A

SPECIFICATIONS:

- MATERIAL:-
- MOULDING: HIGH TEMP THERMO PLASTIC UL 94V-0
- CONTACT: COPPER ALLOY
- SHELL: COPPER ALLOY
- FINISH:-
- GOLD ON CONTACT, TIN ON SOLDER TAILS
- SHELL: GOLD PLATED
- ELECTRICAL:-
- CURRENT RATING: 0.5 AMP
- WORKING VOLTAGE: 250V AC
- DIELECTRIC WITHSTANDING VOLTAGE: 500V AC / MINUTE
- CONTACT RESISTANCE: 100 mΩ MAX.
- INSULATION RESISTANCE: 100 MΩ MIN.
- MECHANICAL:-
- INSERTION FORCE: 40N MAX.
- WITHDRAWAL FORCE: 2N MIN.



10--WRITE PROTECT PIN 1
11--WRITE PROTECT PIN 2
12--CARD DETECT PIN 1
13--CARD DETECT PIN 2

Allan	4	22.07.09	A222
Allan	3	15.07.09	A221
Allan	2	09.06.09	A209
Allan	1	01.08.06	-
NAME	ISS.	DATE	C/NOTE
APPROVED: <i>Ben</i>			
CHECKED:			
DRAWN: Allan			
CUSTOMER REF.:			
ASSEMBLY DRG:			

HARWIN

HARWIN USA
TEL: 603 893 5376
FAX: 603 893 5396
mis@harwin.com

HARWIN Europe (UK)
TEL: 023 9231 4545
FAX: 023 9231 4590
mis@harwin.co.uk

HARWIN Asia
TEL: +65 6 779 4909
FAX: +65 6 779 3868
mis@harwin.com.sg

THIS DRAWING AND ANY INFORMATION OR DESCRIPTIVE MATTER SET OUT HEREON ARE CONFIDENTIAL AND COPYRIGHT PROPERTY OF THE HARWIN GROUP AND MUST NOT BE DISCLOSED, LOANED, COPIED OR USED FOR MANUFACTURING, TENDERING OR FOR ANY OTHER PURPOSE WITHOUT THEIR WRITTEN PERMISSION.

TOLERANCES
X. = ±0.5mm
X.X = ±0.38mm
X.XX = ±0.25mm
X.XXX = ±0.10mm
ANGLES = ±5°
UNLESS STATED

MATERIAL: SEE NOTES
FINISH: SEE NOTES
S/AREA: mm²

TITLE: SD SOCKET SHORT TYPE

DRAWING NUMBER: M502-6860942

SHT 1 OF 1