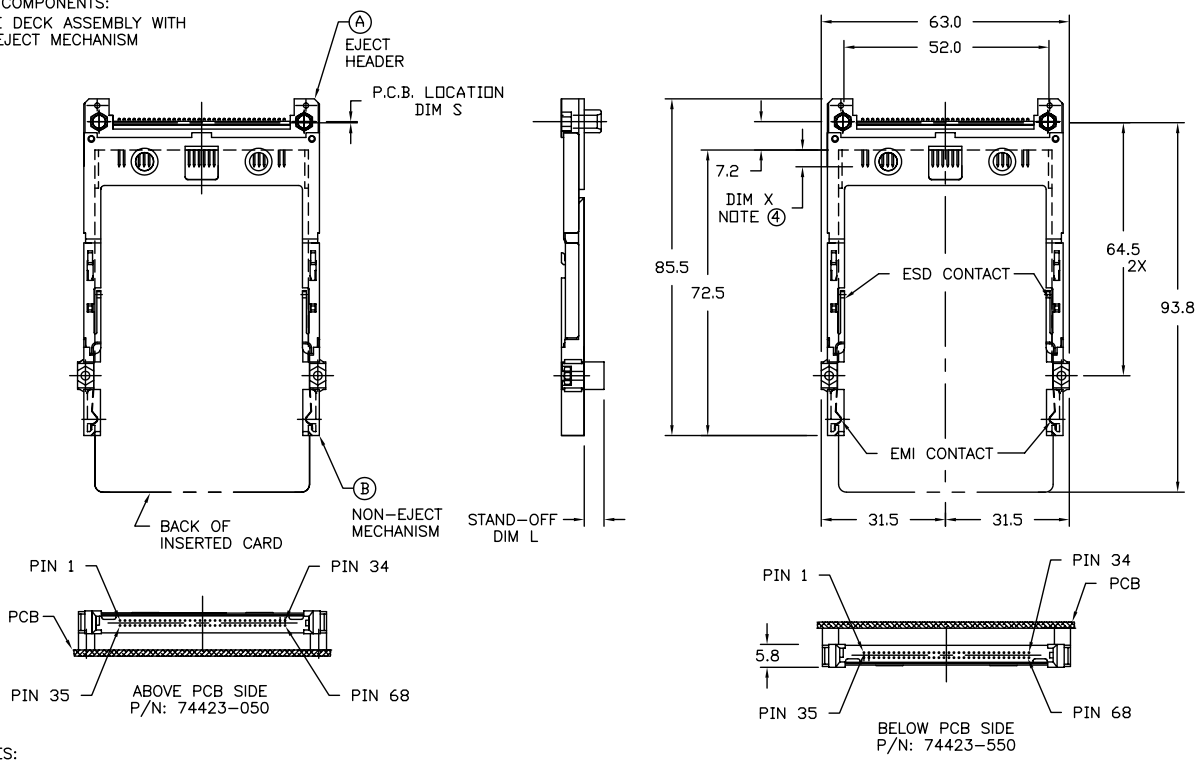


Tous droits strictement réservés. Reproduction ou communication à des tiers interdite sous quelque forme que ce soit sans autorisation écrite du propriétaire. Property of FCI. All rights reserved. FCI.

All rights strictly reserved. Reproduction or issue to third parties in any form whatsoever is not permitted without written authority from the proprietor. Property of FCI. Copyright FCI.

PCMCIA COMPONENTS:  
SINGLE DECK ASSEMBLY WITH  
NON-EJECT MECHANISM



- NOTES:
- REFER TO HEADER DRAWING 61127 AND NON-EJECT MECHANISM 92791 FOR ADDITIONAL DIMENSIONS, MATERIAL, AND PLATING INFORMATION.
  - REFER TO SHEETS 2 AND 3 FOR PCB LAYOUT.
  - RECOMMENDED SCREW TORQUE: 1.0 TO 1.5 MAX in-lbs. (1.2-1.7 cm-kgs).

④ DIM X

	4.25±0.1	3.5±0.1	5.0±0.1
OTHERS	36,67	1,17,34,35,51,68	

mat'l. code			tolerances unless otherwise specified			CUSTOMER COPY	 Electronics FCI <a href="http://www.fciconnect.com">www.fciconnect.com</a>			
ltr	ecn no	dr	date	linear	angles			projection	title	
A	V80087	RGD	2/21/98		$.XX \pm .3$		title 68 POS. EJECT HEADER ASSY.			
B	V90656	CGC	3/13/99		$.XXX \pm .051$					
C	V00647	RGD	3/28/00		$0' \pm 2'$		product family MCS			
D	V12164	TFG	8/17/01	dr	R.GRAPE 2/21/98			size	dwg no	
E	V03-0517	WL	05/29/03	enrg	D.BRANN 2/21/98	scale 1:1	A4 74423	code	-	
F	N04-0030	PH	07/21/04	chr	D.BRANN 2/21/98			sheet	1 of 4	
sheet index	revision sheet	F	E	E	F					
		1	2	3	4					

ACAD PDM: Rev:F cage code 22526 STATUS Released

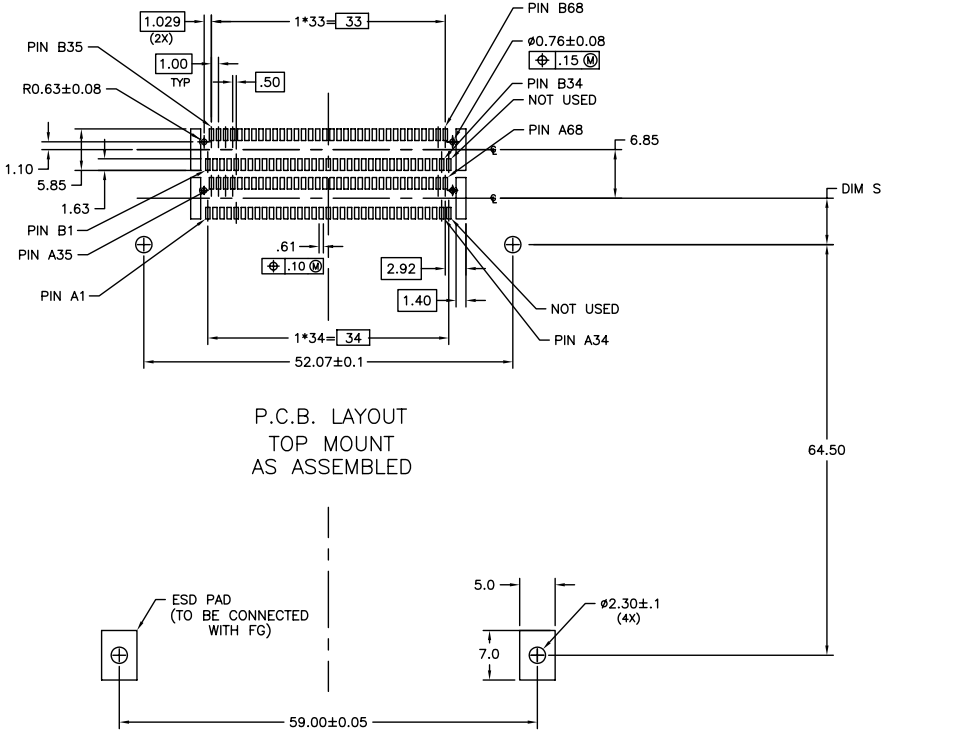
Oct 12, 2010

Tous droits strictement réservés. Reproduction ou communication à des tiers interdite sous quelque forme que ce soit sans autorisation écrite du propriétaire. Propriété de FCI. Droits de reproduction FCI.

All rights strictly reserved. Reproduction or issue to third parties in any form whatsoever is not permitted without written authority from the proprietor. Property of FCI. Copyright FCI.



1 | 2 | 3 | 4

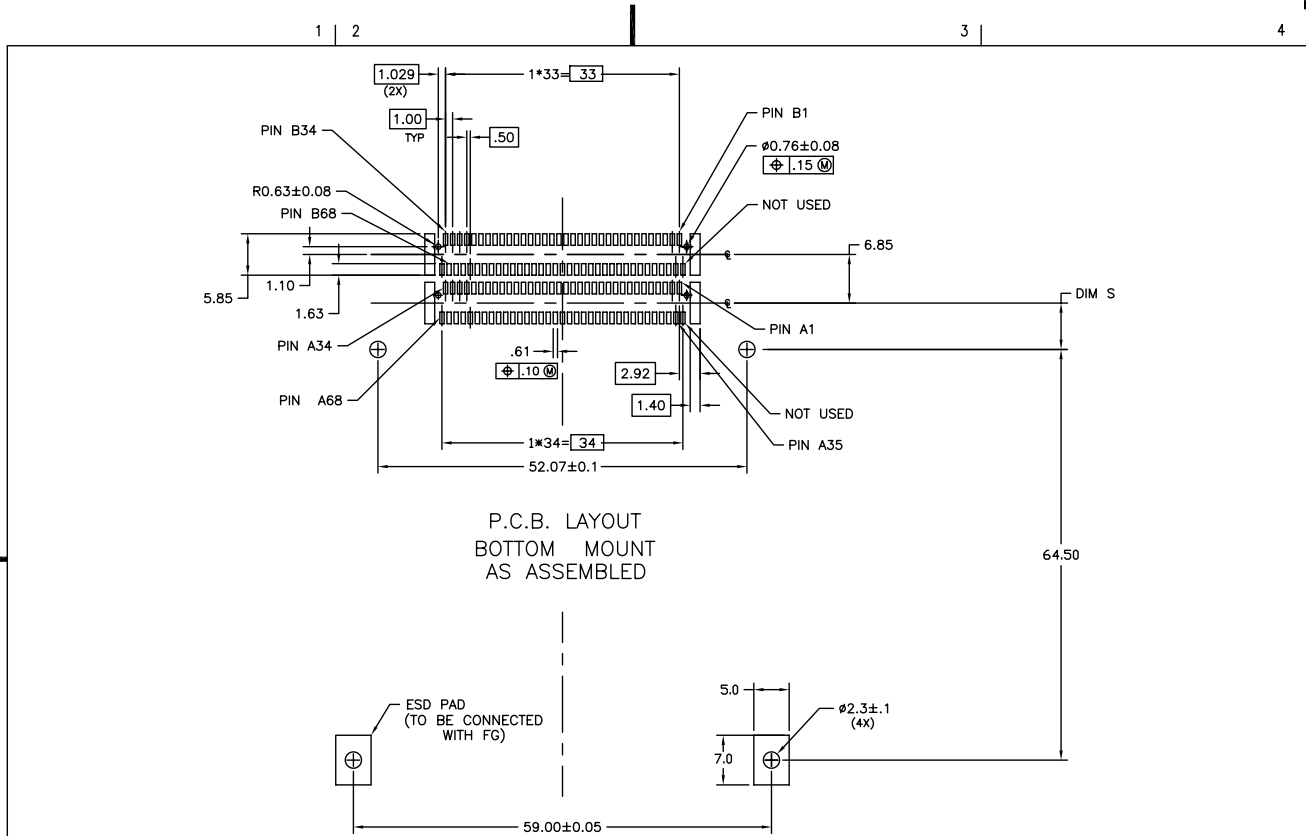


P.C.B. LAYOUT  
TOP MOUNT  
AS ASSEMBLED

mat'l. code				tolerances unless otherwise specified				CUSTOMER COPY		Electronics FCI <a href="http://www.fciconnect.com">www.fciconnect.com</a>	
ltr	ecn no	dr	date	linear	.X±.3	projection		title		product family	
E					.XX±.13			68 POS. EJECT HEADER ASSY.		MCS	
				angles	.XXX±.051			size		code	
				dr	0° ±2'	MM		A4		74423	
				engr		scale		1:1		sheet	
				chr	R.GRAPE 2/21/98					2 of	
				appd	D.BRANN 2/21/98					cage code	
sheet index	revision sheet									22526	
										STATUS Released	

Tous droits strictement réservés. Reproduction ou communication à des tiers interdite sous quelque forme que ce soit sans autorisation écrite du propriétaire. Property of FCI. All rights reserved. FCI.

All rights strictly reserved. Reproduction or issue to third parties in any form whatsoever is not permitted without written authority from the proprietor. Property of FCI. Copyright FCI.



P.C.B. LAYOUT  
BOTTOM MOUNT  
AS ASSEMBLED

mat'l. code				tolerances unless otherwise specified				CUSTOMER COPY		Electronics FCI <a href="http://www.fciconnect.com">www.fciconnect.com</a>	
ltr	ecn no	dr	date	linear	.X±.3		projection		title		
E					.XX±.13				68 POS. EJECT HEADER ASSY.		
				angles	.XXX±.051				product family MCS		
				dr	R.GRAPE	2/21/98	MM		size dwg no		
				engr	D.BRANN	2/21/98	1:1		A4 74423		
				chr	D.BRANN	2/21/98			code -		
				appd	D.BRANN	2/21/98			sheet 3 of		
sheet index	revision sheet							cage code 22526			

ACAD

PDM: Rev:F

STATUS Released

Printed Oct 12, 2010

Tous droits strictement réservés. Reproduction ou communication à des tiers interdite sous quelque forme que ce soit sans autorisation écrite du propriétaire. Property of FCI. All rights reserved. FCI.

All rights strictly reserved. Reproduction or issue to third parties in any form whatsoever is not permitted without written authority from the proprietor. Property of FCI. Copyright FCI.

1 | 2

3

4

DESCRIPTION: ABOVE AND BELOW P.C.B., DECK IS AS VIEWED BY USER.

PRODUCT NO. 74423-XXX	STAND-OFF HEIGHT DIM L	P.C.B. LOCATION DIM S	(A) HEADER ASSY 61127-XXXX	(B) MECHANISM ASSY 92791-XXX	MOUNTING STYLE TO PCB
020	2.2	-0.3	0022	-022	
040	4.3	-0.3	0043	-043	
050	5.0	-0.3	0050	-051	
020LF	2.2	-0.3	0022LF	-022	
040LF	4.3	-0.3	0043LF	-043	
050LF	5.0	-0.3	0050LF	-051	
005	0.0	10.0	0500	-001	
025	0.0	6.55	0522	-001	
045	0.0	6.55	0543	-001	
055	0.0	6.55	0550	-001	
005LF	0.0	10.0	0500LF	-001	
025LF	0.0	6.55	0522LF	-001	
045LF	0.0	6.55	0543LF	-001	
055LF	0.0	6.55	0550LF	-001	
520	2.2	-0.3	5022	-022	
540	4.3	-0.3	5043	-043	
550	5.0	-0.3	5050	-051	
520LF	2.2	-0.3	5022LF	-022	
540LF	4.3	-0.3	5043LF	-043	
550LF	5.0	-0.3	5050LF	-051	
505	0.0	10.0	5500	-001	
525	0.0	6.55	5522	-001	
545	0.0	6.55	5543	-001	
555	0.0	6.55	5550	-001	
505LF	0.0	10.0	5500LF	-001	
525LF	0.0	6.55	5522LF	-001	
545LF	0.0	6.55	5543LF	-001	
555LF	0.0	6.55	5550LF	-001	

mat'l. code				tolerances unless otherwise specified				CUSTOMER COPY		Electronics FCI www.fciconnect.com	
ltr	ecr	no	dr	date	linear	.XX±.13 .XXX±.051 0° ±2'		projection	title		
F					angles				68 POSITION EJECT HEADER ASSEMBLY		
					dr	R.GRAPE	2/21/98	MM	product family	MCS	code
					enrg	D.BRANN	2/21/98	1:1	size	dwg no	sheet
					chr	D.BRANN	2/21/98		A4	74423	4 of
					appd	D.BRANN	2/21/98				
sheet index	revision sheet								cage code	22526	

1 | 2

3

4

ACAD

PDM: Rev:F

STATUS Released

Printed: Oct 12, 2010