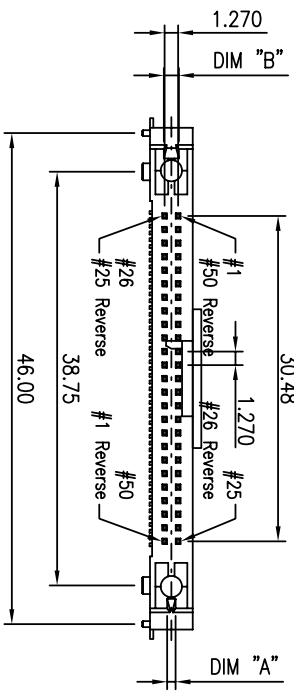
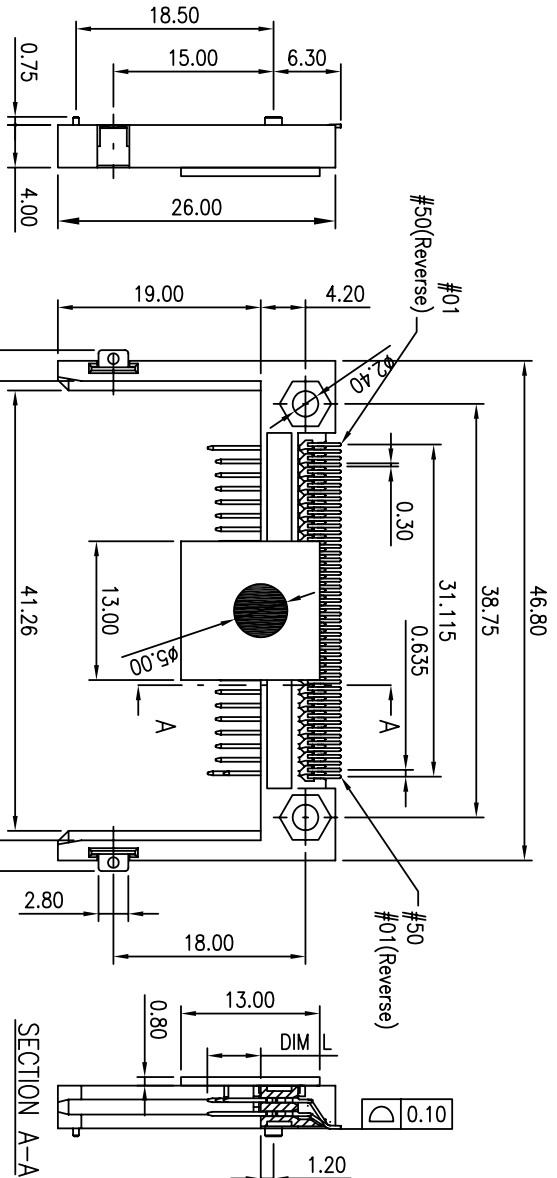


PROD NO
SEE NOTE



PIN TYPE	DIM (L1,L2,L3)	PIN NO.
POWER	L3 = 5.00mm	1, 13, 38, 50
GENERAL	L2 = 4.25mm	ALL OTHER PINS
DETECT	L1 = 3.50mm	25, 26

PART NUMBER	DIMENSION A	DIMENSION B
10030920-X050 NORMAL TYPE	0.80	1.40
10030920-X150 REVERSE TYPE	1.40	0.80

mod'l. code	tolerances unless otherwise specified		CUSTOMER COPY		title	
itr	ecn no	dr	date	linear	product family	CF
A T03-0176	J.C	8/6/03		.XX ±.25	CF	CF HEADER SLIM TYPE
B T04-0387	A.C.	10/07/04		.XXX ±.10	product size	A4
C T05-0055	A.C.	4/11/05	angles	0° ±.2°	product family	CF
D T05-0230	A.C.	10/14/05	dr	JASMINE CHANG	product size	A4
			engr	JASON HSU	product size	A4
			chr	JASON HSU	product size	A4
			oppl	STERLING LIN	product size	A4
sheet	revision	D	D		product size	A4
index	sheet	1	2		product size	A4

ACAD

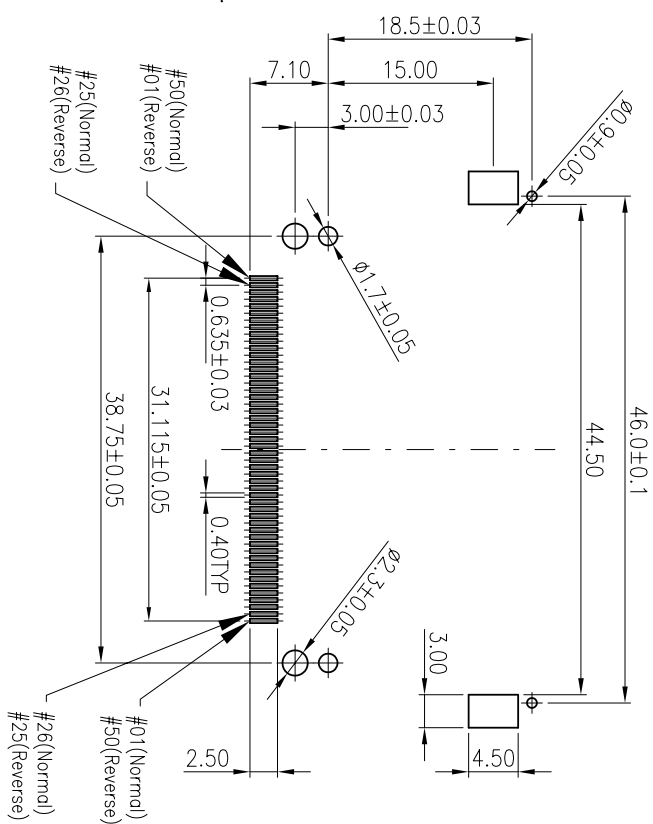
cage code
22526



NOTES:

1. Materials:
Housing: High Temperature Thermoplastic, UL94V-0.
Contact: Copper Alloy.
Solderable Holddown: Copper Alloy.
2. Specification:
Product Spec: GS-12-240.
Packaging Spec: GS-14-933.
3. Tin/Lead Plating Spec:
Contact: Under Plated 50u" Min. Nickel All Over, 100u" Min. Tin/Lead in Solder Tail Area, Selective Gold Plating in Contact Area.
Solderable Holddown: Under Plated 50u" Min. Nickel, Plated 100u" Min. Tin/Lead All Over.
4. Lead-Free Plating Spec:
Contact: Under Plated 50u" Min. Nickel All Over, 100u" Min. Pure Matte Tin in Solder Tail Area, Selective Gold Plating in Contact Area.
Solderable Holddown: Under Plated 50u" Min. Nickel, Plated 100u" Min. Pure Matte Tin All Over.
5. The Housing Will Withstand Exposure to 260°C Peak Temperature For 10 Seconds In A Convection, IR Or Vaper Phase Reflow Oven.
6. This Product (10030920-XXXXXLF) Meets the European Union Directive as Described in GS-22-008.
7. Part Number Description:
P/N: **10030920-XX50XLF**

LEAD-FREE PLATING OPTION:
BLANK: TIN/LEAD PLATING SPEC(SEE NOTE3).
LF: LEAD-FREE PLATING SPEC(SEE NOTE4).
P: WITH PICK-UP CAP.
PIN COUNT.
KEY TYPE:
0: NORMAL TYPE
1: REVERSE TYPE
GOLD PLATING:
A: GOLD FLASH
D: 15u" GOLD PLATE
E: 30u" GOLD PLATE



GENERAL TOLERANCE ±0.05
RECOMMENDED P.C.B LAYOUT

mod'l. code		tolerances unless otherwise specified		CUSTOMER COPY		title	
ltr	ecn no	dr	date	linear	projection	product family	CF HEADER SLIM TYPE
D				.XX ±.25	MM	CF	
				.XXX ±.10		size dwg no	10030920
				° ±.2°		code	2 of 2
				dr JASMINE CHANGI 8/6/03*		sheet	
				engr JASON HSU 8/6/03*		2 of 2	
				chr JASON HSU 8/6/03*			
				opnd STERLING LIN 8/6/03*			
sheet	revision						
index	sheet						

ACAD

cage code
22526