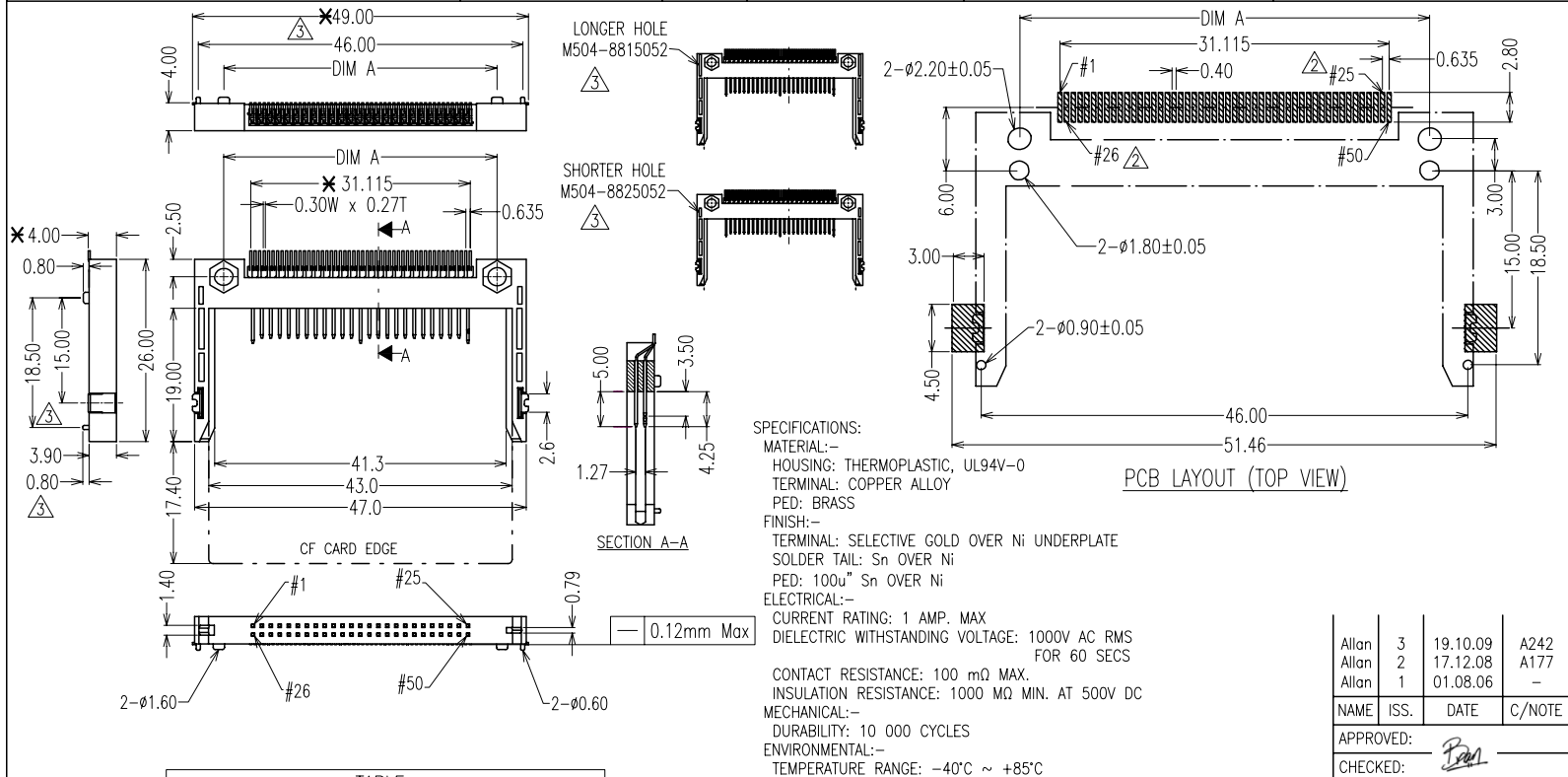


DRAWING No.: M504-88 X 5042 IF IN DOUBT - ASK © NOT TO SCALE THIRD ANGLE PROJECTION ALL DIMENSIONS IN mm



SPECIFICATIONS:
 MATERIAL:-
 HOUSING: THERMOPLASTIC, UL94V-0
 TERMINAL: COPPER ALLOY
 PED: BRASS
 FINISH:-
 TERMINAL: SELECTIVE GOLD OVER Ni UNDERPLATE
 SOLDER TAIL: Sn OVER Ni
 PED: 100u" Sn OVER Ni
 ELECTRICAL:-
 CURRENT RATING: 1 AMP. MAX
 DIELECTRIC WITHSTANDING VOLTAGE: 1000V AC RMS FOR 60 SECS
 CONTACT RESISTANCE: 100 mΩ MAX.
 INSULATION RESISTANCE: 1000 MΩ MIN. AT 500V DC
 MECHANICAL:-
 DURABILITY: 10 000 CYCLES
 ENVIRONMENTAL:-
 TEMPERATURE RANGE: -40°C ~ +85°C

NOTES: ALL DIMENSIONS AND NOTES MARKED * ARE CRITICAL AND MUST BE CHECKED IN ACCORDANCE WITH QUALITY DOC. Q1-02A

TABLE		
Pin Type	interface dim	Pin No.
Detect	3.5 mm (0.138 in)	25, 26
General	4.25 mm (0.167 in)	The Others
Power	5.0 mm (0.197 in)	01, 13, 38, 50

TOLERANCES	
X.X	±0.30mm
X.XX	±0.20mm
X.XXX	±0.10mm

ORDER CODE
M504-88 X 5042
 1: DIM A=38.74mm
 2: DIM A=40.16mm

Allan	3	19.10.09	A242
Allan	2	17.12.08	A177
Allan	1	01.08.06	-
NAME	ISS.	DATE	C/NOTE
APPROVED: <i>[Signature]</i>			
CHECKED: <i>[Signature]</i>			
DRAWN: Allan		ORDER CODE	
CUSTOMER REF.:		M504-88 X 5042	
ASSEMBLY DRG:		1: DIM A=38.74mm 2: DIM A=40.16mm	

HARWIN

HARWIN USA TEL: 603 893 5376 FAX: 603 893 5396 mis@harwin.com	HARWIN Europe (UK) TEL: 023 9231 4545 FAX: 023 9231 4590 mis@harwin.co.uk	HARWIN Asia TEL: +65 6 779 4909 FAX: +65 6 779 3868 mis@harwin.com.sg
--	--	--

THIS DRAWING AND ANY INFORMATION OR DESCRIPTIVE MATTER SET OUT HEREON ARE CONFIDENTIAL AND COPYRIGHT PROPERTY OF THE HARWIN GROUP AND MUST NOT BE DISCLOSED, LOANED, COPIED OR USED FOR MANUFACTURING, TENDERING OR FOR ANY OTHER PURPOSE WITHOUT THEIR WRITTEN PERMISSION.

TOLERANCES
X. = ±1mm
X.X = ±0.25mm
X.XX = ±0.10mm
X.XXX = ±0.01mm
ANGLES = ±5°
UNLESS STATED

MATERIAL:	SEE NOTES
FINISH:	SEE NOTES
S/AREA:	mm ²

TITLE:	CF CARD CONNECTOR, 1.27mm PITCH PCB SURFACE MOUNT, 50P, SLIM NORMAL TYPE
DRAWING NUMBER:	M504-88 X 5042
SHT	1
OF	1