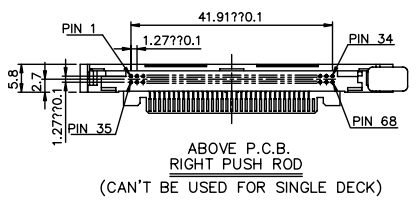
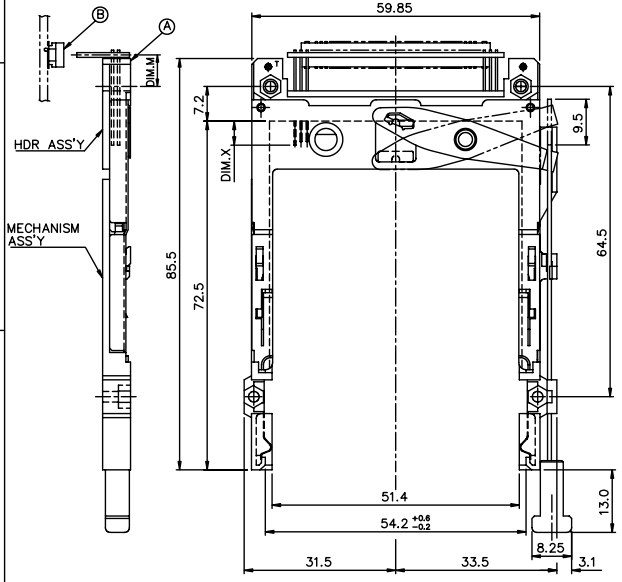


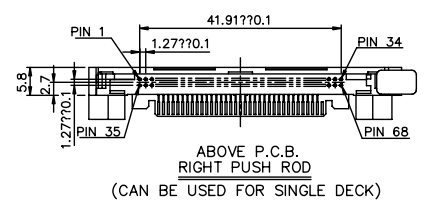
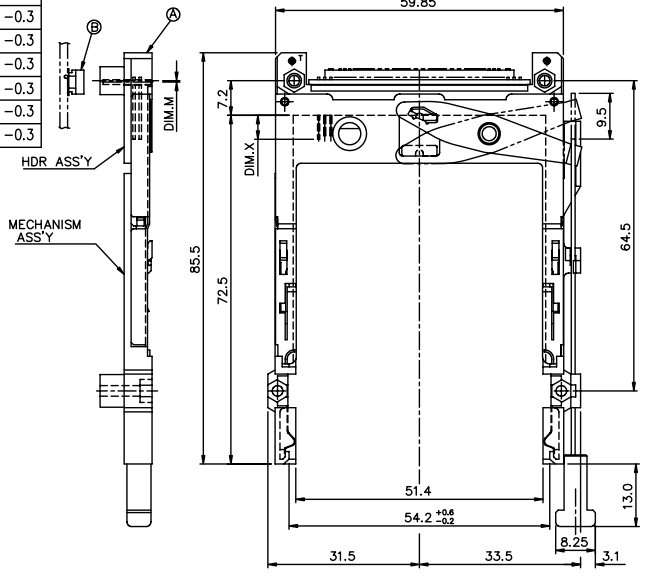
Tous droits strictement réservés. Reproduction ou communication à des tiers sans autorisation écrite du propriétaire. FCI ELECTRONICS INC. Droits de reproduction BERG ELECTRONICS bv

All rights strictly reserved. Reproduction or issue to third parties in any form without written authority from the proprietor. FCI ELECTRONICS INC. Copyright BERG ELECTRONICS bv

PRODUCT NO.	DIM.M
61125-005CA/005CALF	10.0
61125-025CA/025CALF	6.55
61125-045CA/045CALF	6.55
61125-055CA/055CALF	6.55
61125-025CAC/025CACLF	6.55
61125-045CAC/045CACLF	6.55
61125-055CAC/055CACLF	6.55



PRODUCT NO.	DIM.M
61125-020CA/020CALF	-0.3
61125-220CA/220CALF	2.15
61125-040CA/040CALF	-0.3
61125-050CA/050CALF	-0.3
61125-050CAN/050CANLF	-0.3
61125-020CAC/020CACLF	-0.3
61125-040CAC/040CACLF	-0.3
61125-050CAC/050CACLF	-0.3



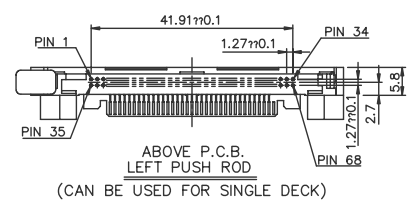
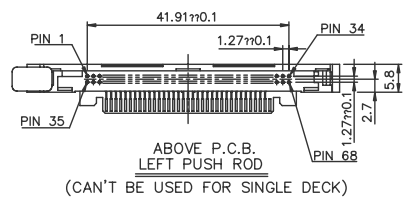
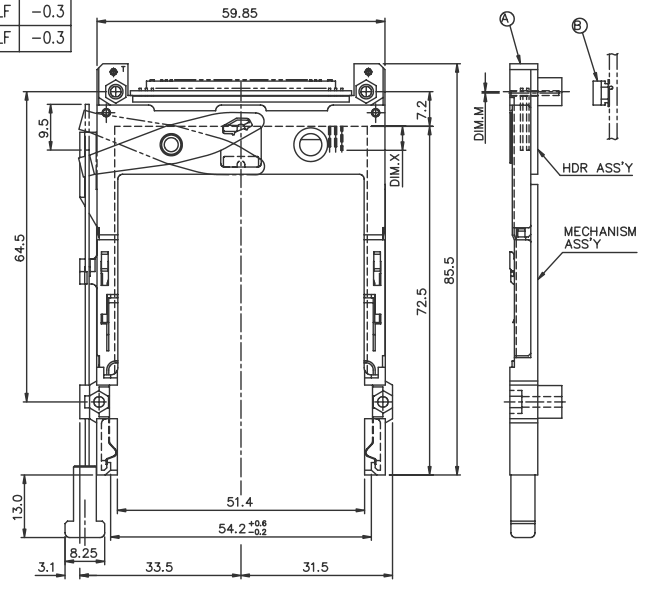
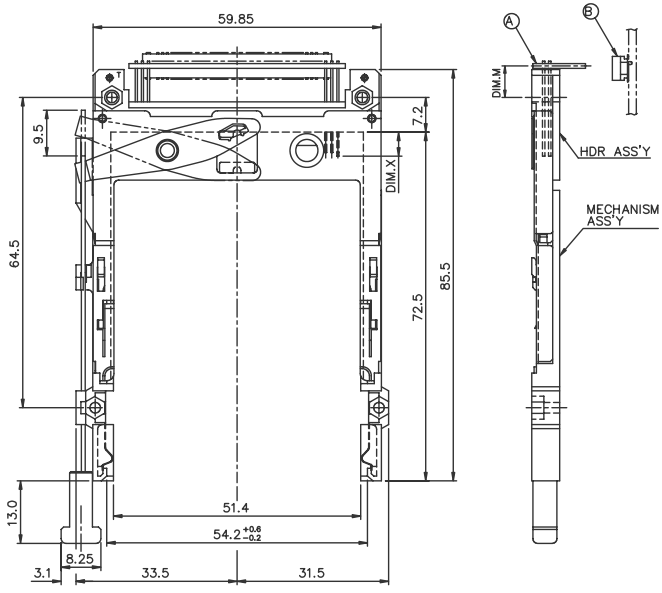
mat'l code		tolerance unless otherwise specified		CUSTOMER COPY		FCI		www.fciconnect.com	
rev.	ecm no.	dr	date	linear	±0.30	projection	title	EJECTOR HEADER ASS'Y	
J	N05-0063	w	03/04/95				3.3V, SMT TYPE 1/2/3	product family PCMCIA	
K	N05-0140	w	05/31/95					code	
D	T10132	w	05/11/91	angles	± 2°			size	dwg no.
E	T10162	w	06/14/91	dr	WENDY CHEN	07/11/95	unit	61125	sheet
F	T20036	w	01/30/92	engr	JOSEPH HSIA	07/11/95	mm/inch		1 of 6
G	T20234	w	07/25/92	chr	JOSEPH HSIA	07/11/95	scale		
H	T03-0216	w	06/09/93	appd	JENN TSAO	07/11/95	1:2:1		
sheet	revision	K	J	J	J	K	J		
index	sheet	1	2	3	4	5	6		

Tous droits strictement réservés. Reproduction ou communication à des tiers sans autorisation écrite du propriétaire.
 All rights strictly reserved. Reproduction or issue to third parties in any form without written authority from the proprietor.
 Copyright BERG ELECTRONICS S.A.
 Droits de reproduction BERG ELECTRONICS S.A.

All rights strictly reserved. Reproduction or issue to third parties in any form without written authority from the proprietor.
 Copyright BERG ELECTRONICS S.A.

PRODUCT NO.	DIM.M
61125-105CA/105CALF	10.0
61125-125CA/125CALF	6.55
61125-145CA/145CALF	6.55
61125-155CA/155CALF	6.55

PRODUCT NO.	DIM.M
61125-120CA/120CALF	-0.3
61125-140CA/140CALF	-0.3
61125-150CA/150CALF	-0.3



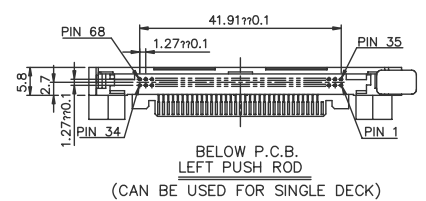
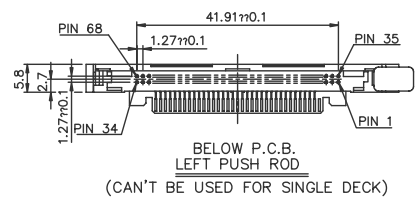
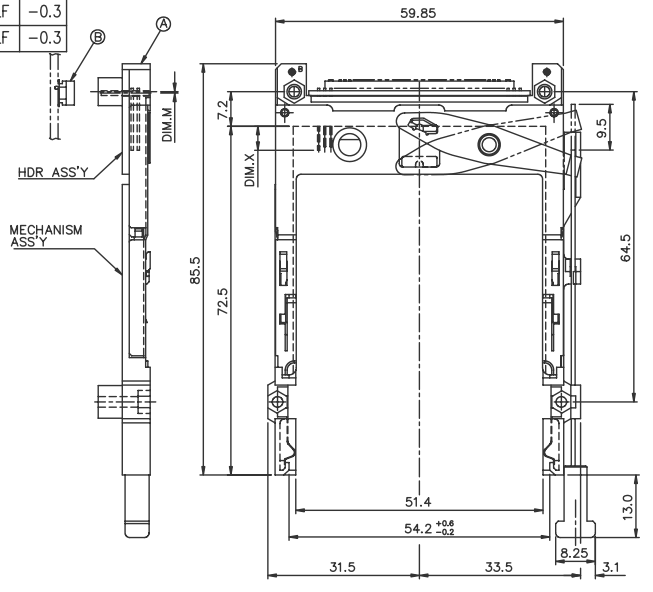
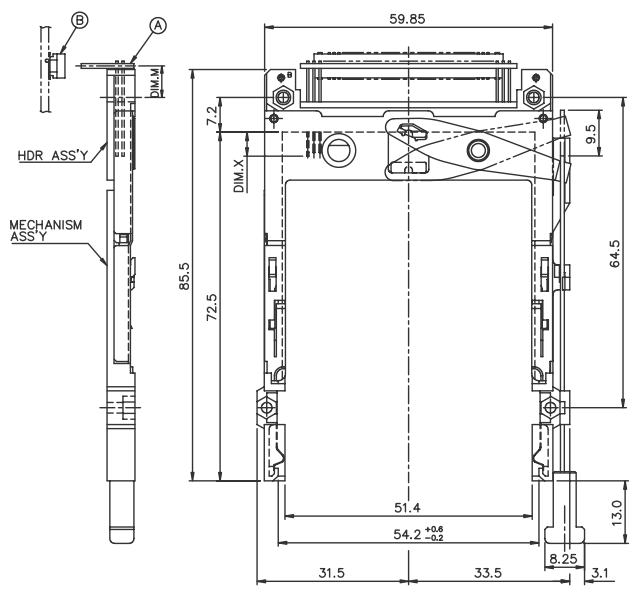
mat'l code	tolerance unless otherwise specified	CUSTOMER COPY	 www.fciconnect.com
rev. J	linear ±0.30	projection	
ecn no.	angles ± 2°	unit	title
dr	enr JOSEPH HSIA 07/11/95	mm/inch	EJECTOR HEADER ASS'Y
chr	chr JOSEPH HSIA 07/11/95	scale	3.3V, SMT TYPE 1/2/3
appd	appd JENN TSAO 07/11/95	1:2:1	product family
sheet index	revision sheet	A3	product family
			dwg no.
			61125
			code
			sheet
			2 of

Tous droits strictement réservés. Reproduction ou communication à des tiers sans autorisation écrite du propriétaire. FCI ELECTRONICS INC. Droits de reproduction BERG ELECTRONICS bv

All rights strictly reserved. Reproduction or issue to third parties in any form without written authority from the proprietor. FCI ELECTRONICS INC. Copyright BERG ELECTRONICS bv

PRODUCT NO.	DIM.M
61125-605CA/650CALF	10.0
61125-625CA/625CALF	6.55
61125-645CA/645CALF	6.55
61125-655CA/655CALF	6.55

PRODUCT NO.	DIM.M
61125-620CA/620CALF	-0.3
61125-640CA/640CALF	-0.3
61125-650CA/650CALF	-0.3



mat'l code				tolerance unless otherwise specified		CUSTOMER COPY		 www.fciconnect.com		
rev.	ecn	no.	dr	date	linear	±0.30	projection	title		
J					angles	± 2°		EJECTOR HEADER ASS'Y		
					dr	WENDY CHEN 07/11/95	unit	3.3V, SMT TYPE 1/2/3		
					engr	JOSEPH HSIA 07/11/95	mm/inch	product family	FWGA	
					chr	JOSEPH HSIA 07/11/95	size	dwg no.	code	
					appd	JENN TSAO 07/11/95	scale	A3	61125	
sheet	revision									sheet
index	sheet									3 of

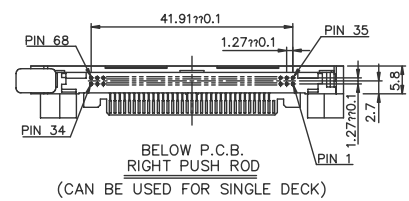
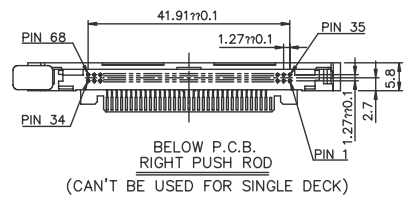
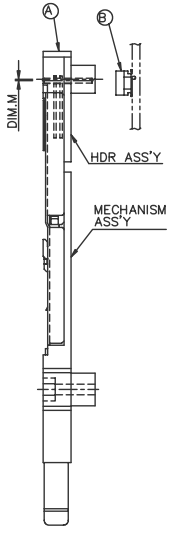
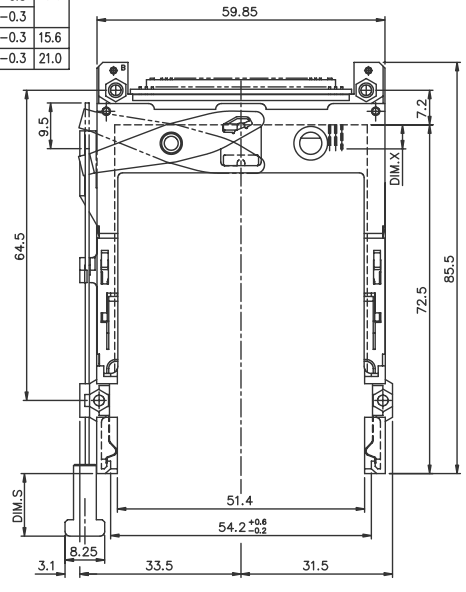
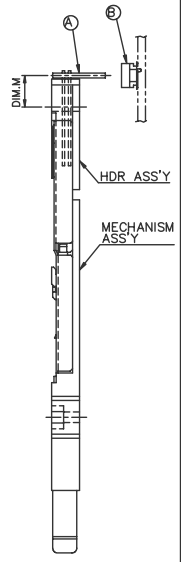
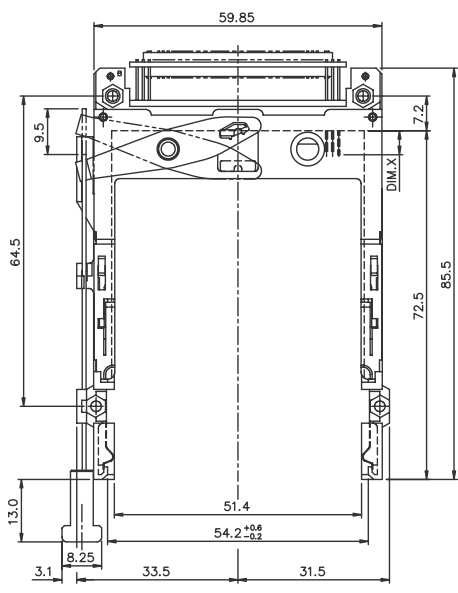
PDM: Rev:K STATUS: Released Printed: Oct 12, 2010

Tous droits strictement réservés. Reproduction ou communication à des tiers int.
 without written authority from the proprietor.
 FCI ELECTRONICS
 Droits de reproduction BERG ELECTRONICS by

All rights strictly reserved. Reproduction or issue to third parties in any form
 without written authority from the proprietor.
 FCI ELECTRONICS
 Copyright BERG ELECTRONICS by

PRODUCT NO.	DIM.M
61125-505CA/505CALF	10.0
61125-525CA/525CALF	6.55
61125-545CA/545CALF	6.55
61125-555CA/555CALF	6.55

PRODUCT NO.	DIM.M	DIM.S
61125-520CA/520CALF	-0.3	
61125-540CA/540CALF	-0.3	13.0
61125-550CA/550CALF	-0.3	
61125-520DA/520DALF	-0.3	15.6
61125-520FA/520FALF	-0.3	21.0



mat'l code	tolerance unless otherwise specified	CUSTOMER COPY	 www.fciconnect.com
rev. J	linear ±0.30	projection	
ecn no.	angles ± 2°	title	EJECTOR HEADER ASS'Y
dr WENDY CHEN 07/11/95	unit	product family	PCMCA
engr JOSEPH HSIA 07/11/95	mm/inch	size	dwg no. 61125
chr JOSEPH HSIA 07/11/95	scale	A3	code
appd JENN TSAO 07/11/95	1:2:1		sheet 4 of
sheet index	revision sheet		

PDM: Rev:K STATUS Released Printed: Oct 12, 2010

Tous droits strictement réservés. Reproduction ou communication a des tiers int. sans autorisation écrite du propriétaire. FCI ELECTRONICS. Droits de reproduction BERG ELECTRONICS by

All rights strictly reserved. Reproduction or issue to third parties in any form without the prior written authority from the proprietor. FCI ELECTRONICS. Copyright BERG ELECTRONICS by

DESCRIPTION : ABOVE PCB, DECK AND PUSH ROD LOCATION ARE AS VIEW BY USER.

- NOTES:
1. 8mm MIN. CARD EJECT.
 2. EJECT TRAVEL: 9.5mm
 3. PUSH ROD LOCATION AND P.C.B. SIDE ARE AS APPEARS INSTALLED.
 4. MATERIAL
 - 4.1 HEADER ASS'Y:
PLASTIC : HOUSING ...LCP UL94V-0 BLACK
PIN : PHOSPHOR BRONZE
PCB : FR4
 - 4.2 EJECT MECHANISM ASS'Y:
PLASTIC : GUIDE: POLYPHTHARAMID UL94V-0 BLACK
: BUTTON: POLYPHTHARAMID UL94V-0 BLACK
PLATE AND PUSH ROD : STAINLESS
EMI CONTACT: PHOSPHOR BRONZE
 5. FINISH (PIN)
UNDER PLATING : 0.5µm MIN. Ni
CONTACT AREA : 0.1µm MIN. GOLD OVER
0.5µm MIN. Pd-Ni
SOLDER TAIL (FOR TIN LEAD OPTION) : 2.5µm MIN. Sn-Pb
SOLDER TAIL (FOR LEAD FREE OPTION) : 2.5µm MIN. PURE TIN
 6. DIM "X"

4.25±0.1	3.5±0.1	5.0±0.1
OTHERS	36,67	1,17,34,35,51,68

7. FOR P/N: 61125-050CAN AND 61125-050CANLF:
 - a. TIGHTENING TORQUE OF SCREW: 1.5 ~ 2.0 Kgf-cm
 - b. LUBRICANT SHOULD BE SPREAD TO MATING AREA OF PINS.
8. IF LEAD FREE P.N. THE HOUSING WILL WITHSTAND EXPOSURE TO 260°C PEAK TEMPERATURE FOR 10 SECONDS IN A WAVE SOLDER APPLICATION WITH A 1.00MM MINIMUM THICK CIRCUIT BOARD.
9. IF LEAD FREE P.N. THE PRODUCT MEETS EUROPEAN UNION DIRECTIVES AND OTHER COUNTRY REGULATIONS AS DISCRIBED IN GS-22-008
10. LEAD FREE P/N PACKAGING MEETS GS-14-920 SPECIFICATION
11. PART NUMBER 61125-****CAC, -****CACLF IS FOR CISCO

ORDERING INFORMATION			
NAME	PART NO.	PART NO.	Q'TY
(A) EJECT HEADER ASS'Y	61125-****	61125-****L	1
(B) MATING RECEPTACLE	91931-31169	91931-31169LF	1

LOWER DECK						
(A) PRODUCT NO.	STAND-OFF HIGH DIM. L	PUSH ROD LOCATION	P.C.B. SIDE	P.C.B LAYOUT RECOMMENDED P/N: TA-1056	(B) MATING RECEPTACLE	MOUNT STYLE TO PCB AND PUSH ROD SIDE
61125-020CA/020CALF	2.2	RIGHT	ABOVE	SEE DRAWING P/N: TA-1056	↑ RECEPTACLE PART NUMBER: 91931-31169 91931-31169LF ↓	
61125-220CA/220CALF	2.2	RIGHT	ABOVE	SEE PAGE 6		
61125-040CA/040CALF	4.3	RIGHT	ABOVE	SEE DRAWING P/N: TA-1056		
61125-050CA/050CALF	5.0					
61125-050CAN/050CANLF	5.0					
61125-020CAC/020CACLF	2.2					
61125-040CAC/040CACLF	4.3	LEFT	ABOVE	SEE DRAWING P/N: TA-1056		
61125-050CAC/050CACLF	5.0					
61125-120CA/120CALF	2.2					
61125-140CA/140CALF	4.3					
61125-150CA/150CALF	5.0	RIGHT	BELOW	SEE DRAWING P/N: TA-1056		
61125-520CA/520CALF	2.2					
61125-520FA/520FALF	2.2					
61125-520DA/520DALF	2.2					
61125-540CA/540CALF	4.3	LEFT	BELOW	SEE DRAWING P/N: TA-1056		
61125-550CA/550CALF	5.0					
61125-620CA/620CALF	2.2					
61125-640CA/640CALF	4.3					
61125-650CA/650CALF	5.0					

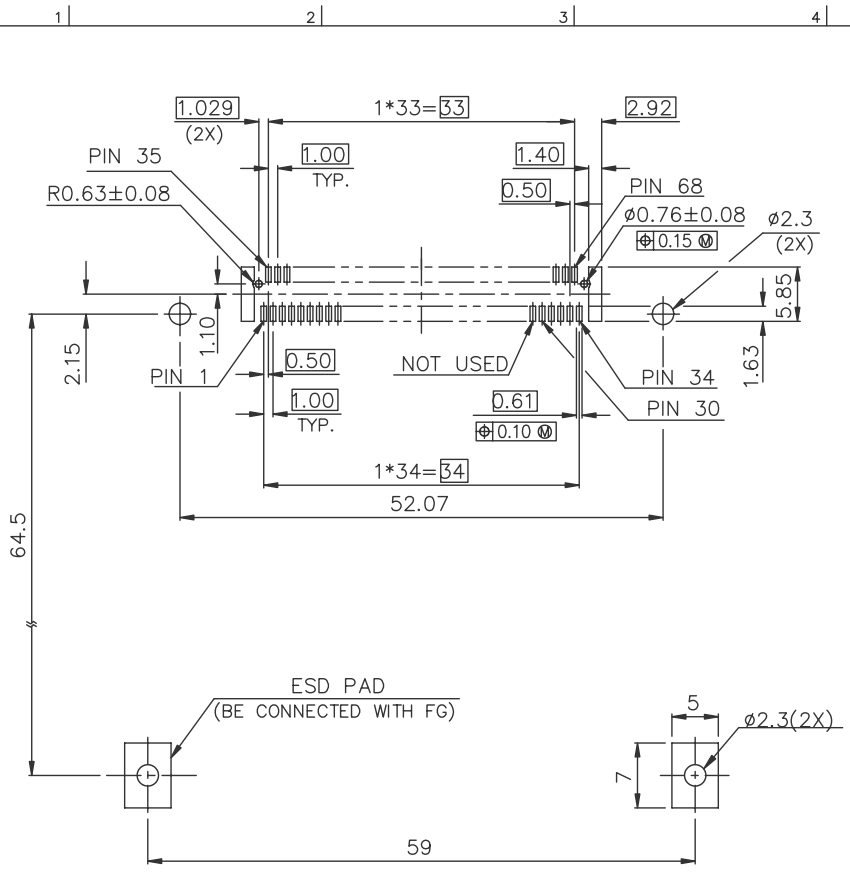
UPPER DECK					
(A) PRODUCT NO.	JOINT WITH LOWER DECK STAND-OFF HIGH(DIM. L)	PUSH ROD LOCATION	P.C.B. SIDE	(B) MATING RECEPTACLE	MOUNT STYLE TO PCB AND PUSH ROD SIDE
61125-005CA/005CALF	0.0	RIGHT	ABOVE	↑ RECEPTACLE PART NUMBER: 91931-31169 91931-31169LF ↓	
61125-025CA/025CALF	2.2				
61125-045CA/045CALF	4.3				
61125-055CA/055CALF	5.0				
61125-025CAC/025CACLF	2.2	LEFT	ABOVE		
61125-045CAC/045CACLF	4.3				
61125-055CAC/055CACLF	5.0				
61125-105CA/105CALF	0.0				
61125-125CA/125CALF	2.2	RIGHT	BELOW		
61125-145CA/145CALF	4.3				
61125-155CA/155CALF	5.0				
61125-505CA/505CALF	0.0				
61125-525CA/525CALF	2.2	LEFT	BELOW		
61125-545CA/545CALF	4.3				
61125-555CA/555CALF	5.0				
61125-605CA/605CALF	0.0				
61125-625CA/625CALF	2.2				
61125-645CA/645CALF	4.3				
61125-655CA/655CALF	5.0				

- NOTES:
1. IT CAN'T BE USED FOR SINGLE DECK.
 2. IT MUST BE ASSEMBLED BY USER FOR DOUBLE DECK APPLICATION.(PLEASE REFER TO P/N 61124)

mat'l code	tolerance unless otherwise specified	CUSTOMER COPY		www.fciconnect.com	
rev. K	linear	projection		title EJECTOR HEADER ASS'Y 3.3V, SMT TYPE 1/2/3	
ecn no.	angles	unit	product family	PCMCIA	code
no.	dr WENDY CHEN 07/11/95	mm/inch	size	dwg no.	sheet
date	engr JOSEPH HSIA 07/11/95	scale	A3	61125	5 of
	chr JOSEPH HSIA 07/11/95	1:2:1			
	appd JENN TSAO 07/11/95				
sheet index	revision sheet				

Tous droits strictement réservés. Reproduction ou communication a des tiers int
 prohibited by FCI ELECTRONICS.
 Droits de reproduction BERG ELECTRONICS by

All rights strictly reserved. Reproduction or issue to third parties in any for
 answer is not permitted without written authority from the proprietor.
 Copyright BERG ELECTRONICS by



BOARD VIEW FROM CONNECTOR MOUNTED SIDE
 TOP OF BOARD IN APPLICATION
 FOR 61125-220CA/220CALF ONLY

mat'l code				tolerance unless otherwise specified		CUSTOMER COPY		FCI		www.fciconnect.com	
rev.	ecn no.	dr	date	linear	±0.1	projection	title				
J				angles			P.C.B LAYOUT				
				dr	WENDY CHEN 01/30/02	unit	product family	PCMCIA	code		
				engr	MINERVA WANG 01/30/02	mm/inch	size	dwg no.			
				chr	MINERVA WANG 01/30/02	scale	A3	61125	sheet 6 of		
				appd	JENN TSAO 01/30/02						
sheet	revision										
index	sheet										