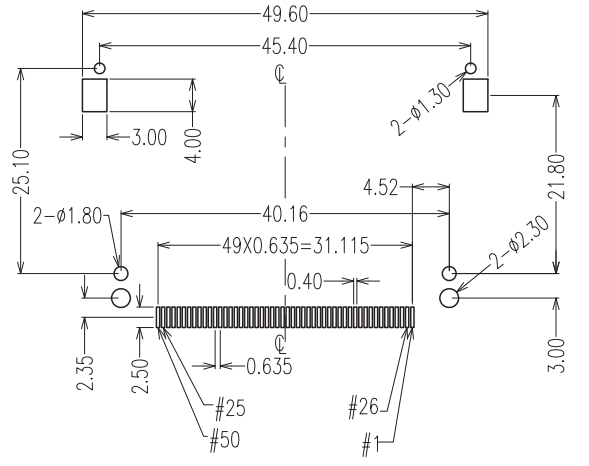
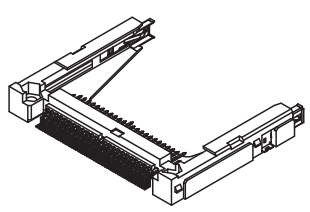
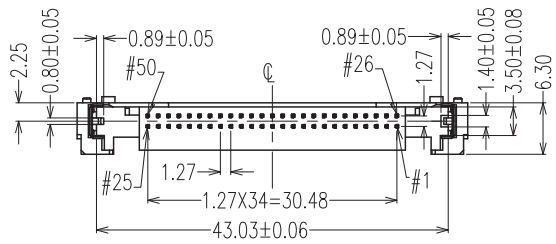
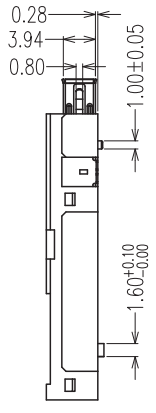
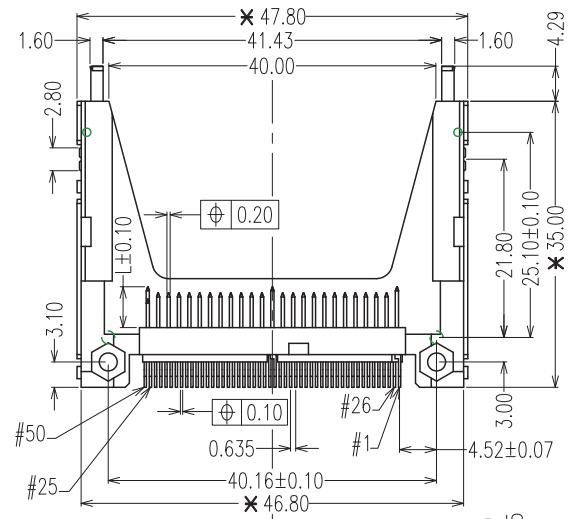


DRAWING No.: M504-7875042	IF IN DOUBT - ASK	(C)	NOT TO SCALE	THIRD ANGLE PROJECTION	ALL DIMENSIONS IN mm
---------------------------	-------------------	-----	--------------	------------------------	----------------------



RECOMMENDED PCB LAYOUT
TOLERANCE: ±0.05



SPECIFICATIONS:
 MATERIAL:-
 INSULATOR: GLASS REINFORCED LCP, UL94V-0
 CONTACT: BRASS
 MOUNTING EAR: BRASS
 FINISH:-
 CONTACT AREA: 15u" GOLD
 SOLDER TAIL AREA: 100u"~200U" Tin

NAME	ISS.	DATE	C/NOTE
Allan	3	02.11.10	A332
Allan	2	28.02.08	A113
Allan	1	01.08.06	-
APPROVED: <i>Ben</i>			
CHECKED:			
DRAWN: Allan			
CUSTOMER REF.:			
ASSEMBLY DRG:			

TOLERANCES
 X. = ±0.50mm
 X.X = ±0.30mm
 X.XX = ±0.20mm



NOTES: ALL DIMENSIONS AND NOTES
 MARKED * ARE CRITICAL AND
 MUST BE CHECKED IN ACCORDANCE
 WITH QUALITY DOC. QI-02A

			THIS DRAWING AND ANY INFORMATION OR DESCRIPTIVE MATTER SET OUT HEREON ARE CONFIDENTIAL AND COPYRIGHT PROPERTY OF THE HARWIN GROUP AND MUST NOT BE DISCLOSED, LOANED, COPIED OR USED FOR MANUFACTURING, TENDERING OR FOR ANY OTHER PURPOSE WITHOUT THEIR WRITTEN PERMISSION.	TOLERANCES X. = ±1mm X.X = ±0.25mm X.XX = ±0.10mm X.XXX = ±0.01mm ANGLES = ±5° UNLESS STATED	MATERIAL: SEE NOTES FINISH: SEE NOTES S/AREA: mm ²	TITLE: CFA TYPE 2 (W/GROUNDING EXT.) STANDARD TYPE DRAWING NUMBER: M504-7875042	SHT 1 OF 1
HARWIN USA TEL: 603 893 5376 FAX: 603 893 5396 mis@harwin.com	HARWIN Europe (UK) TEL: 023 9231 4545 FAX: 023 9231 4590 mis@harwin.co.uk	HARWIN Asia TEL: +65 6 779 4909 FAX: +65 6 779 3868 mis@harwin.com.sg					