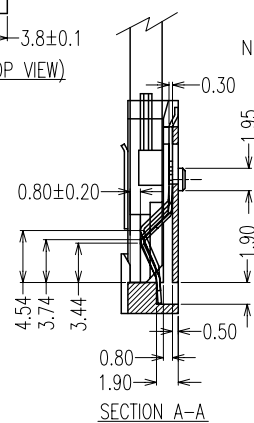
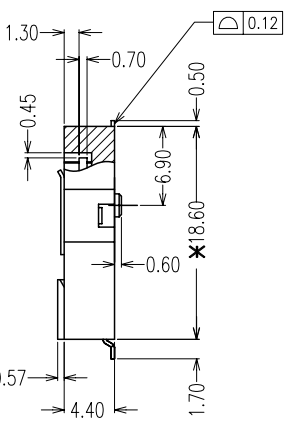
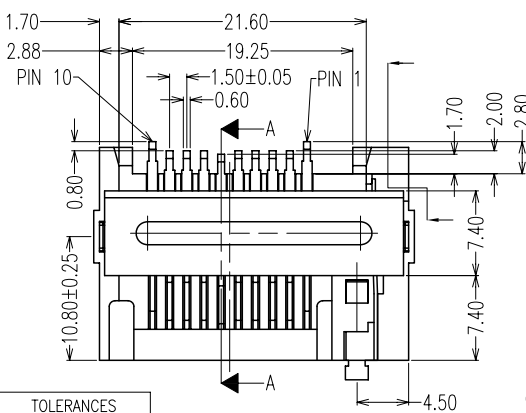


SPECIFICATIONS:
MATERIAL:-
 INSULATOR: LCP, UL94V-0
 CONTACT: PHOSPHOR BRONZE
FINISH:-
 CONTACT: GOLD OVER NICKEL UNDERPLATE
 SOLDER TAIL: TIN OVER NICKEL UNDERPLATE
ELECTRICAL:-
 CURRENT RATING: 1 AMP MAX.
 CONTACT RESISTANCE: 100 mΩ MAX.
 INSULATION RESISTANCE: 1000 MΩ MIN.
MECHANICAL:-
 DURABILITY: 5000 CYCLES MIN.
ENVIRONMENTAL:-
 TEMPERATURE RANGE: -40°C TO + 85°C

NOTES: ALL DIMENSIONS AND NOTES MARKED * ARE CRITICAL AND MUST BE CHECKED IN ACCORDANCE WITH QUALITY DOC. Q1-02A



TOLERANCES
 X. = ±0.5mm
 X.X = ±0.30mm
 X.XX = ±0.20mm

| | | | |
|-----------------------|------|----------|--------|
| Allan | 1 | 01.08.06 | - |
| NAME | ISS. | DATE | C/NOTE |
| APPROVED: <i>Paul</i> | | | |
| CHECKED: <i>Paul</i> | | | |
| DRAWN: Allan | | | |
| CUSTOMER REF.: | | | |
| ASSEMBLY DRG: | | | |

HARWIN

| | | |
|--|--|--|
| HARWIN USA TEL: 603 893 5376 FAX: 603 893 5396 mis@harwin.com | HARWIN Europe (UK) TEL: 023 9231 4545 FAX: 023 9231 4590 mis@harwin.co.uk | HARWIN Asia TEL: +65 6 779 4909 FAX: +65 6 779 3868 mis@harwin.com.sg |
|--|--|--|

THIS DRAWING AND ANY INFORMATION OR DESCRIPTIVE MATTER SET OUT HEREON ARE CONFIDENTIAL AND COPYRIGHT PROPERTY OF THE HARWIN GROUP AND MUST NOT BE DISCLOSED, LOANED, COPIED OR USED FOR MANUFACTURING, TENDERING OR FOR ANY OTHER PURPOSE WITHOUT THEIR WRITTEN PERMISSION.

TOLERANCES
 X. = ±1mm
 X.X = ±0.25mm
 X.XX = ±0.10mm
 X.XXX = ±0.01mm
 ANGLES = ±5°
 UNLESS STATED

MATERIAL: SEE NOTES
FINISH: SEE NOTES
S/AREA: mm²

TITLE: MEMORY STICK SOCKET STANDARD
DRAWING NUMBER: M506-5582042
 SHT 1 OF 1