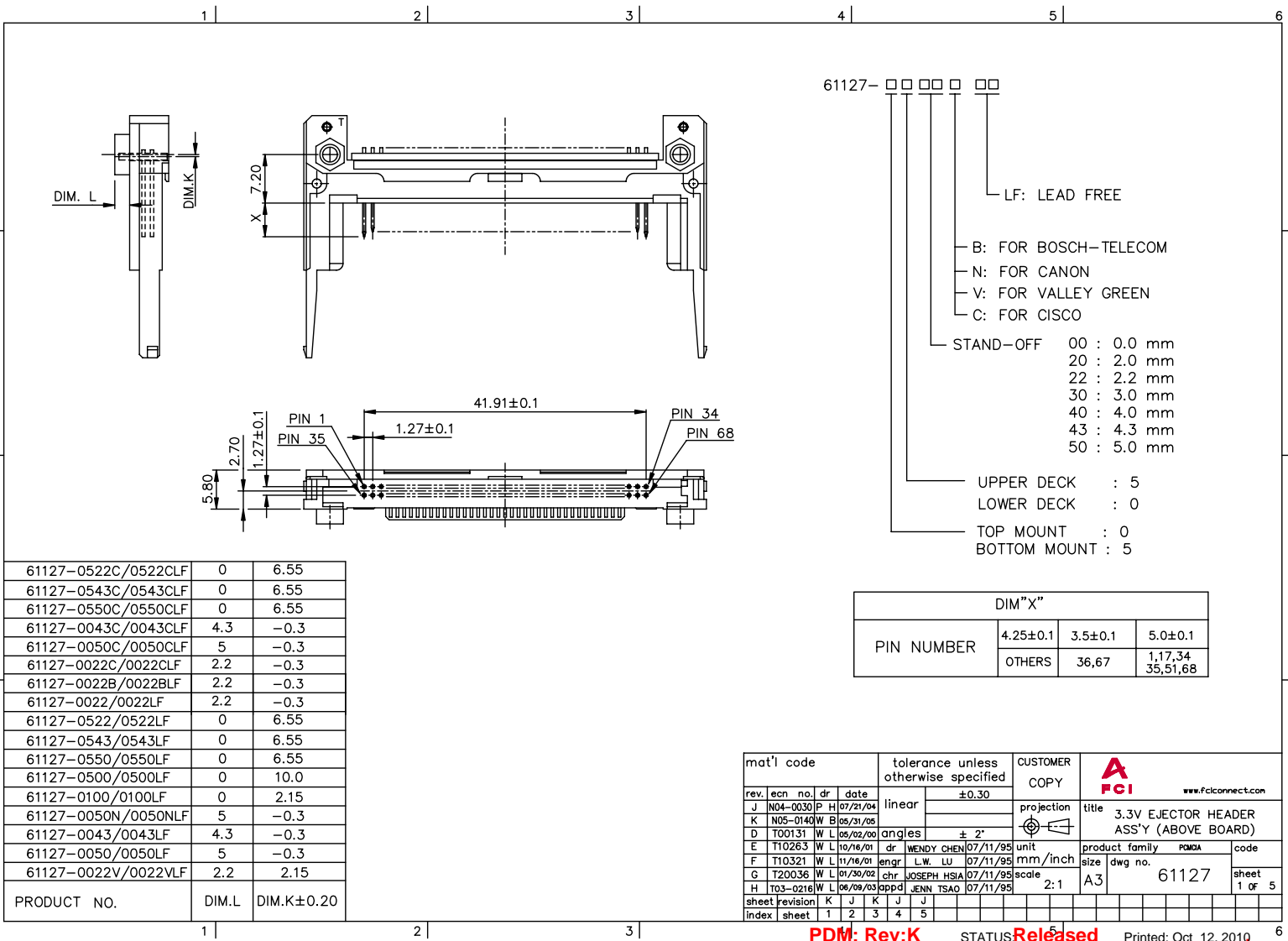


Tous droits strictement réservés. Reproduction ou communication o des tiers int...
 propriété de BERG ELECTRONICS. Toute réimpression sans autorisation écrite du propriétaire.
 Droits de reproduction BERG ELECTRONICS by

All rights strictly reserved. Reproduction or issue to third parties in any for...
 as is permitted without written authority from the proprietor.
 Copyright BERG ELECTRONICS by



| | | |
|---------------------|-------|------------|
| 61127-0522C/0522CLF | 0 | 6.55 |
| 61127-0543C/0543CLF | 0 | 6.55 |
| 61127-0550C/0550CLF | 0 | 6.55 |
| 61127-0043C/0043CLF | 4.3 | -0.3 |
| 61127-0050C/0050CLF | 5 | -0.3 |
| 61127-0022C/0022CLF | 2.2 | -0.3 |
| 61127-0022B/0022BLF | 2.2 | -0.3 |
| 61127-0022/0022LF | 2.2 | -0.3 |
| 61127-0522/0522LF | 0 | 6.55 |
| 61127-0543/0543LF | 0 | 6.55 |
| 61127-0550/0550LF | 0 | 6.55 |
| 61127-0500/0500LF | 0 | 10.0 |
| 61127-0100/0100LF | 0 | 2.15 |
| 61127-0050N/0050NLF | 5 | -0.3 |
| 61127-0043/0043LF | 4.3 | -0.3 |
| 61127-0050/0050LF | 5 | -0.3 |
| 61127-0022V/0022VLF | 2.2 | 2.15 |
| PRODUCT NO. | DIM.L | DIM.K±0.20 |

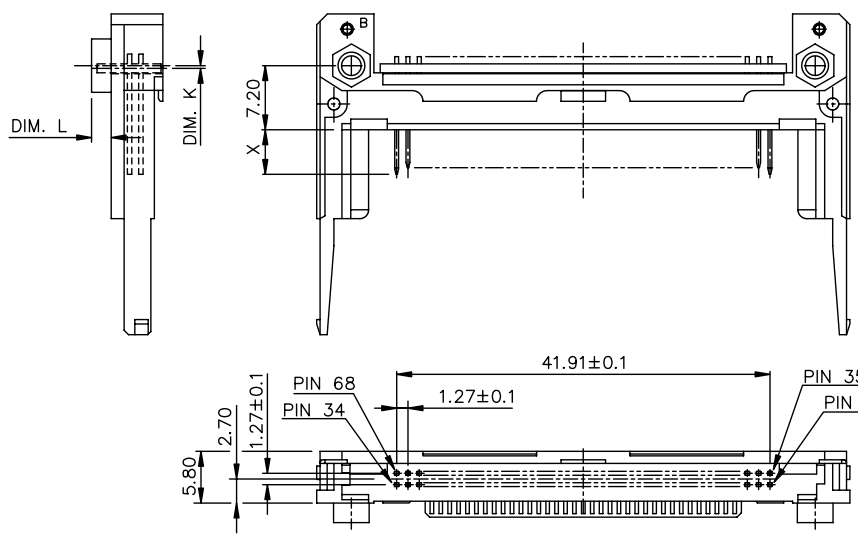
| DIM"x" | | | |
|------------|----------|---------|----------|
| PIN NUMBER | 4.25±0.1 | 3.5±0.1 | 5.0±0.1 |
| OTHERS | 36,67 | 1,17,34 | 35,51,68 |

| | | | | | |
|------------|----------|--------------------------------------|---------------|-----------------|---|
| mat'l code | | tolerance unless otherwise specified | CUSTOMER COPY | | www.fciconnect.com |
| rev. | ecn no. | dr date | linear ±0.30 | | |
| J | N04-0030 | P H | 07/21/04 | | 3.3V EJECTOR HEADER ASS'Y (ABOVE BOARD) |
| K | N05-0140 | W B | 05/31/05 | | |
| D | T00131 | W L | 05/02/00 | angles ± 2° | |
| E | T10263 | W L | 10/16/01 | dr WENDY CHEN | 07/11/95 |
| F | T10321 | W L | 11/16/01 | enrg L.W. LU | 07/11/95 |
| G | T20036 | W L | 01/30/02 | chr JOSEPH HSIA | 07/11/95 |
| H | T03-0216 | W L | 06/09/03 | appd JENN TSAO | 07/11/95 |
| sheet | revision | K J K J | J J | unit | product family |
| index | sheet | 1 2 3 4 5 | | mm/inch | PWGMA |
| | | | | size | code |
| | | | | scale 2:1 | 61127 |
| | | | | A3 | 1 of 5 |

PDM: Rev:K STATUS: Released Printed: Oct 12, 2010

Tous droits strictement réservés. Reproduction ou communication, o des tiers int
 proceur de BERG ELECTRONICS.
 Droits de reproduction BERG ELECTRONICS by

All rights strictly reserved. Reproduction or issue to third parties in any for
 measure is not permitted without written authority from the proprietor.
 Copyright BERG ELECTRONICS by



| DIM"X" | | | |
|------------|----------|---------|----------|
| PIN NUMBER | 4.25±0.1 | 3.5±0.1 | 5.0±0.1 |
| OTHERS | 36,67 | 1,17,34 | 35,51,68 |

| | | |
|-------------------|-------|------------|
| 61127-5022/5022LF | 2.2 | -0.3 |
| 61127-5522/5522LF | 0 | 6.55 |
| 61127-5543/5543LF | 0 | 6.55 |
| 61127-5550/5550LF | 0 | 6.55 |
| 61127-5500/5500LF | 0 | 10.0 |
| 61127-5043/5043LF | 4.3 | -0.3 |
| 61127-5050/5050LF | 5 | -0.3 |
| PRODUCT NO. | DIM.L | DIM.K±0.20 |

| | | | | |
|----------------------------|--------------------------------------|---------------|--|--------------------|
| mat'l code | tolerance unless otherwise specified | CUSTOMER COPY | | www.fciconnect.com |
| rev. J | linear ±0.30 | projection | title 68PDS. EJECTOR HEADER HEADER ASS'Y | |
| | angles ± 2° | | product family | code |
| dr WENDY CHEN 10/16/01 | unit mm/inch | size A3 | dwg no. 61127 | sheet 2 of |
| enrg MINERVA WANG 10/16/01 | scale 2:1 | | | |
| chr MINERVA WANG 10/16/01 | | | | |
| appd JENN TSAO 10/16/01 | | | | |
| sheet index | revision sheet | | | |

PDM: Rev:K STATUS Released Printed: Oct 12, 2010

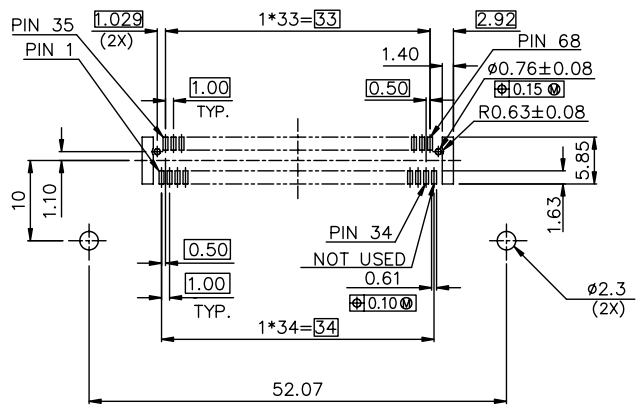
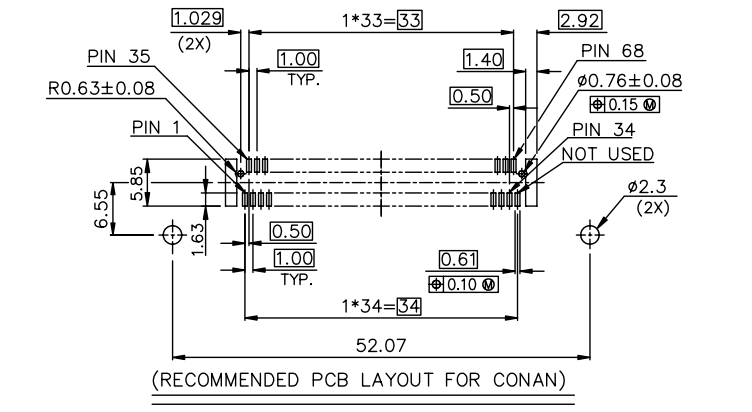
Tous droits strictement réservés. Reproduction ou communication, o des tiers int
 procédé de BERG ELECTRONICS sans autorisation écrite du propriétaire.
 Droits de reproduction BERG ELECTRONICS by

All rights strictly reserved. Reproduction or issue to third parties in any for
 procedure without written authority from the proprietor.
 Copyright BERG ELECTRONICS by

FOR P/N: 61127-0522/0543/0550/0522LF/0543LF/0550LF

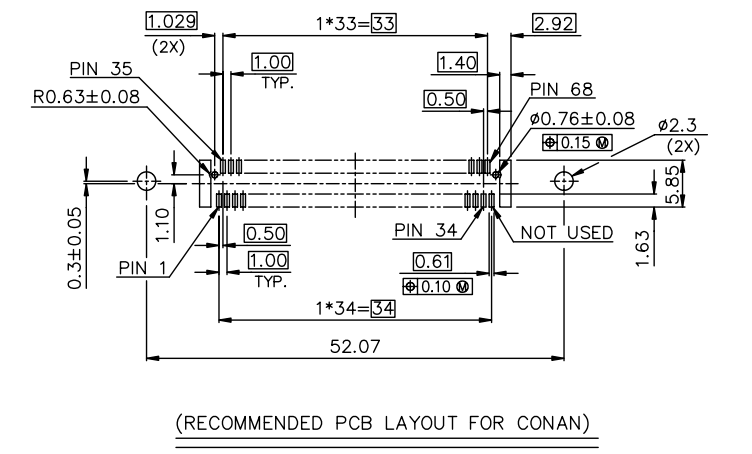
FOR P/N: 61127-0500/0500LF

FOR P/N: 61127-0522C/0543C/0550C/0522CLF/0543CLF/0550CLF



FOR P/N: 61127-0022/0043/0050/0022B/0050N/0022C/0043C/0050C

FOR P/N: 61127-0022LF/0043LF/0050LF/0022BLF/0050NLF/0022CLF/0043C/0050CLF



(RECOMMENDED PCB LAYOUT FOR CONAN)

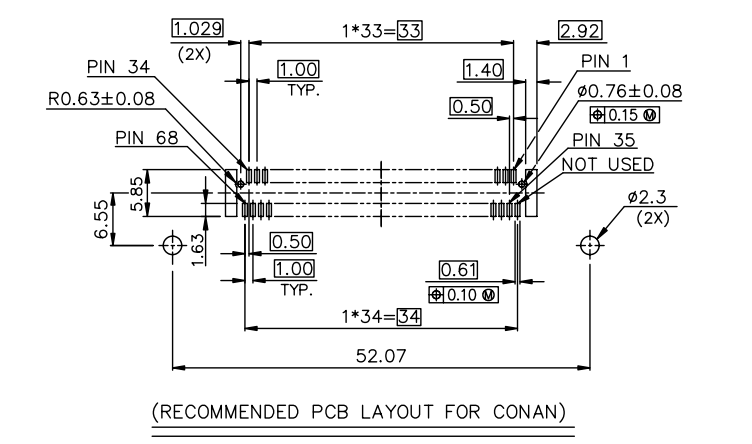
| | | | | | | | |
|-------------|----------------|--------------------------------------|------|---------------|----------------------|------------------------|--|
| mat'l code | | tolerance unless otherwise specified | | CUSTOMER COPY | | www.fciconnect.com | |
| rev. K | ecn no. | dr | date | linear | ±0.10 | projection | title 68POS. EJECTOR HEADER HEADER ASS'Y |
| | | | | angles | ± 2° | | product family FWGA code |
| | | | | dr | WENDY CHEN 05/02/00 | unit | size |
| | | | | enrg | JOSEPH HSIA 05/02/00 | mm/inch | dwg no. |
| | | | | chr | JOSEPH HSIA 05/02/00 | scale | 61127 |
| | | | | appd | JOSEPH HSIA 05/02/00 | 2:1 | sheet 3 of |
| sheet index | revision sheet | | | | | | |

Tous droits strictement réservés. Reproduction ou communication, o des tiers int
 proceur de BERG ELECTRONICS. sans autorisation écrite du propriétaire.
 Droits de reproduction BERG ELECTRONICS by

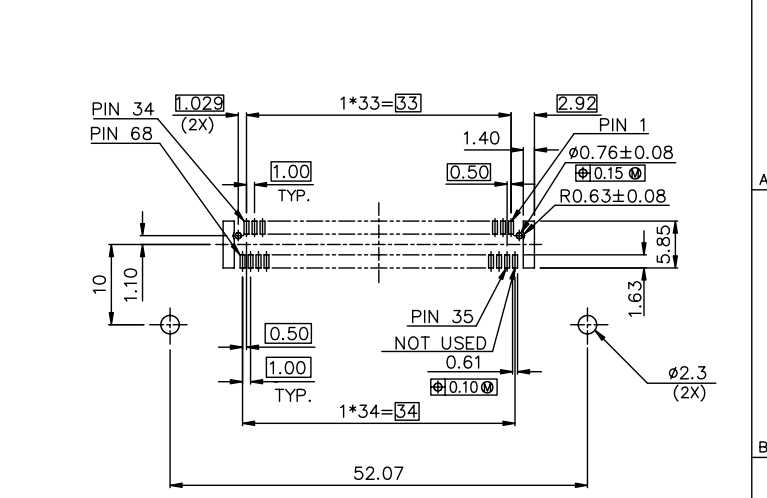
All rights strictly reserved. Reproduction or issue to third parties in any for
 answer is not permitted without written authority from the proprietor.
 Copyright BERG ELECTRONICS by

FOR P/N: 61127-5522/5543/5550/5522LF/5543LF/5550LF

FOR P/N: 61127-5500/5500LF

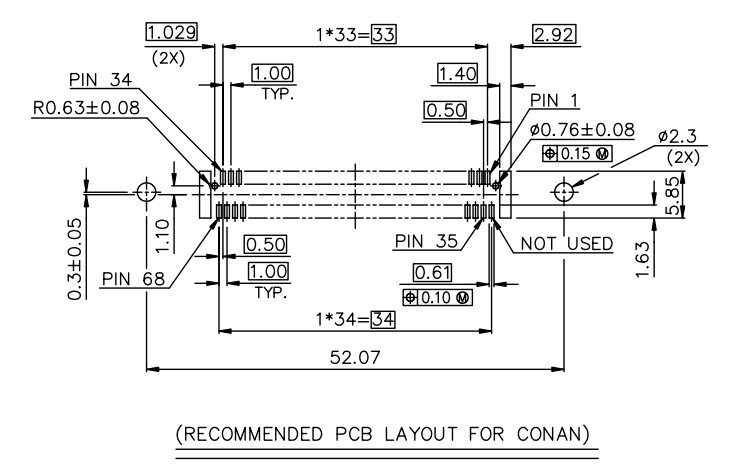


(RECOMMENDED PCB LAYOUT FOR CONAN)



(RECOMMENDED PCB LAYOUT FOR CONAN)

FOR P/N: 61127-5022/5043/5050/5022LF/5043LF/5050LF

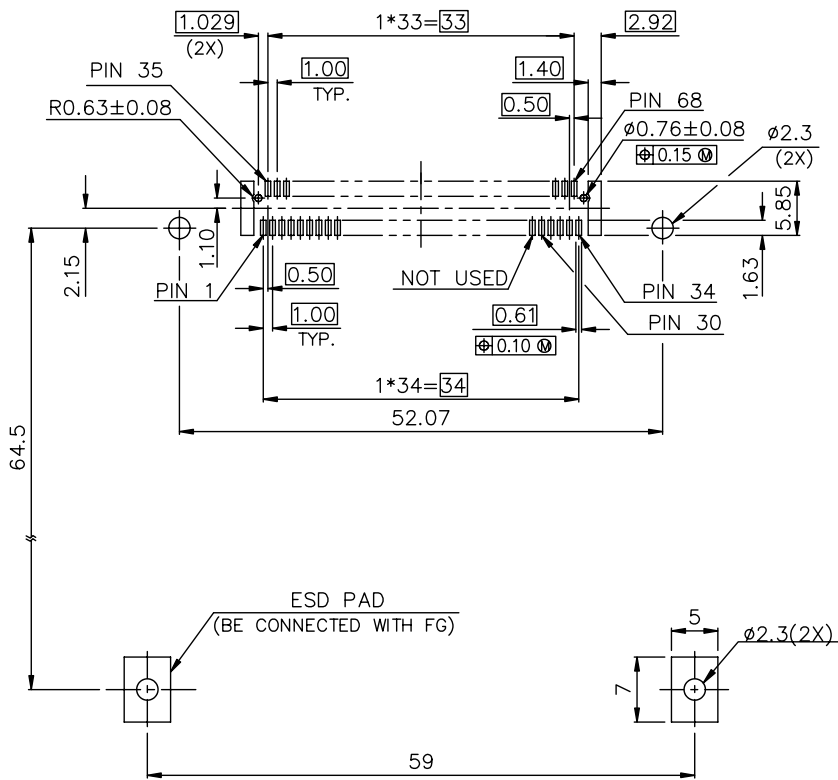


(RECOMMENDED PCB LAYOUT FOR CONAN)

| | | | | | | | | | |
|-------------|----------------|--------------------------------------|------|---------------|----------------------|------------|--|--------------------|------------|
| mat'l code | | tolerance unless otherwise specified | | CUSTOMER COPY | | FCI | | www.fciconnect.com | |
| rev. | ecn no. | dr | date | linear | ±0.10 | projection | title 68POS. EJECTOR HEADER HEADER ASS'Y | | |
| J | | | | angles | ± 2° | | product family PWSGA code | | |
| | | | | dr | WENDY CHEN/05/02/00 | unit | size | | dwg no. |
| | | | | enrg | JOSEPH HSIA/05/02/00 | mm/inch | A3 | | 61127 |
| | | | | chr | JOSEPH HSIA/05/02/00 | scale | 2:1 | | sheet 4 of |
| | | | | appd | JOSEPH HSIA/05/02/00 | | | | |
| sheet index | revision sheet | | | | | | | | |

PDM: Rev:K STATUS Released Printed: Oct 12, 2010

FOR P/N: 61127-0022V/0022VLF



PDM: Rev:K STATUS: Released Printed: Oct 12, 2010

All rights strictly reserved. Reproduction or issue to third parties in any form or by any means, without written authority from the proprietor. Copyright © BERG ELECTRONICS S.p.A.