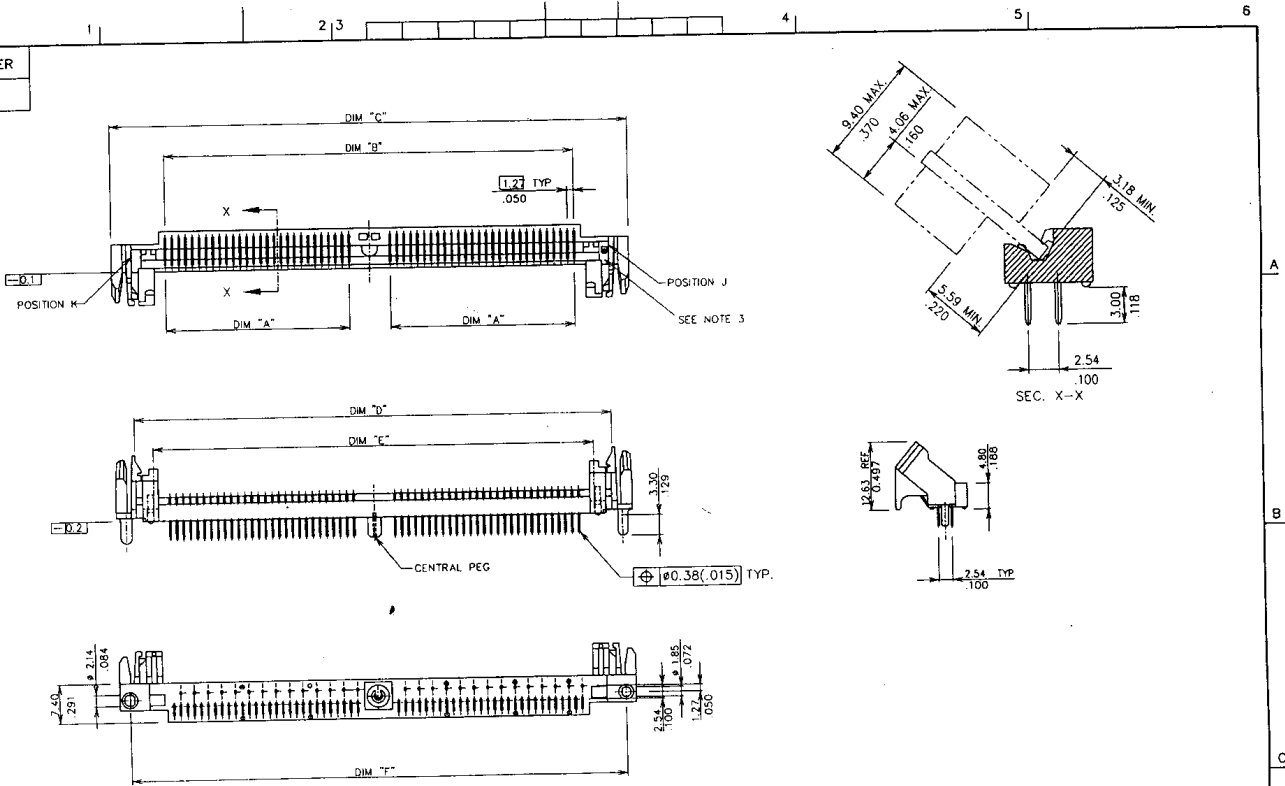


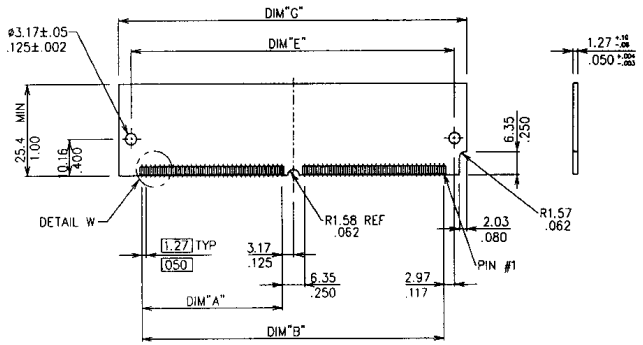
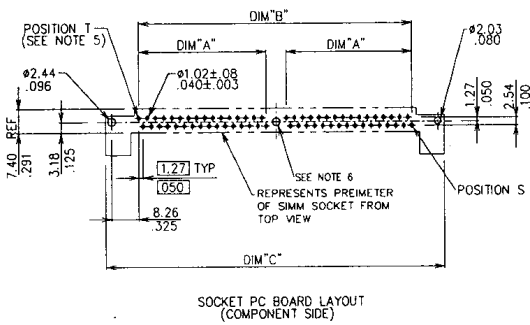
PRODUCT NUMBER
94109



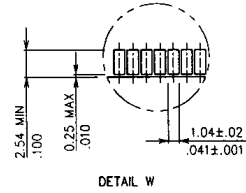
mol'l. code		tolerances unless otherwise specified		CUSTOMER COPY		BERG ELECTRONICS	
itr	ec'n no	dr	date	linear	projection	title	
A	T40217	R J	08/30/94	.00±.12/.000±.005		SIMM SOCKET 40" 1-ROW .050" P/L	
B	T50001	R J	01/23/95	.000± / .0000±	MM/INCH	product family	code
				angles ± 0.5°	scale	size	dwg no
				dr H C CHANG 09/25/93		A3	94109
				enr WAYNE YU 09/25/93			sheet 1 of 3
				chr WAYNE YU 09/25/93			
				pppd D K WANG 09/25/93			
sheet	revision	B	B				
index	sheet	1	2	3			

PDM: Rev:B STATUS:Released Printed: Oct 16, 2003

PRODUCT NUMBER
94109



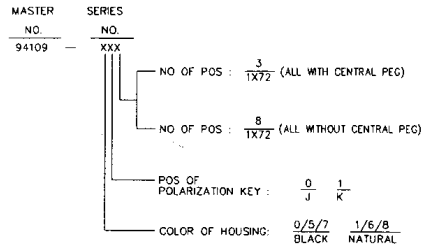
- NOTE:
- 1.MATERIAL
HOUSING: LIQUID CRYSTAL POLYMER GLASS FILLED UL94V-0 RATED, COLOR BLACK OR NATURAL
TERMINAL : PHOSPHOR BRONZE.
 - 2.PLATING
CONTACT: 30 μ -in(0.76 μ m) MIN. GOLD.
SOLDERTAIL: 100 μ -in(2.54 μ m) MIN.TIN/LEAD
UNDERPLATE: 50 μ -in(1.27 μ m) MIN.NICKEL OVERALL.
 - 3.BERG LOGO TO BE APPROXIMATELY LOCATED AS SHOWN ON PRINT.
 - 4.IF P/N 94109-X0X ARE USED, POSITION S SHOULD BE CONNECTED TO PIN #1 OF SIP MODULE BOARD.
 - 5.IF P/N 94109-X1X ARE USED, POSITION T SHOULD BE CONNECTED TO PIN #1 OF SIP MODULE BOARD.
 6. PRODUCT P/N/L DIA OF CENTRAL HOLE MARK
94109-OXX/1XX 2.44 \pm 0.02mm U
94109-SXX/6XX 2.49 \pm 0.02mm C
94109-7XX/8XX 2.54 \pm 0.02mm A
(EXCLUDE THOSE OF P/N'S WITHOUT CENTRAL PEG.)



part code		tolerances unless otherwise specified		CUSTOMER COPY		BERG ELECTRONICS	
ltr	ecr no	dr	date	linear	projection	title	
B				.02±.002	⊕	SIMM SOCKET 40' 1-ROW	
				.00±.12/.000±		.050" P/L	
				angles	MM/INCH	product family	
				dr H C CHANG 09/25/93	scale	size	
				enr WAYNE YU 09/25/93	A3	94109	
				chr WAYNE YU 09/25/93		sheet	
				pppd D K WANG 09/25/93		2 of 3	
sheet index	revision	sheet					

PDM: Rev:B STATUS:Released Printed: Oct 16, 2003

PRODUCT NUMBER
94109



PRODUCT PART NO	HOUSING COLOR	POS OF POL'N KEY	NO OF POS	A	B	C	D	E	F	G
94109-003/008/503/508/703/708	BLACK	J	1X72	44.45	95.25	115.58	108.33	101.19	111.77	107.95
-013/018/513/518/713/718		K								
94109-103/108/603/608/803/808	NATURAL	J								
-113/118/613/618/813/818		K								

mat'l. code		tolerances unless otherwise specified		CUSTOMER COPY		BERG ELECTRONICS	
lfr	ecn no	dr	date	linear	$\frac{.02}{.0002} / \frac{.0003}{.0002}$	projection	title
B				angles	$\frac{.0002}{.0002} / \frac{.0002}{.0002}$		SIMM SOCKET 40' 1-ROW .050" P/L
				dr	H. C. CHANG 09/25/93	MM/INCH	product family
				engr	WAYNE YU 09/25/93	scale	size
				chr	WAYNE YU 09/25/93	A3	dwg no
				pppd	D. K. WANG 09/25/93		94109
sheet	revision						code
index	sheet						sheet
							3 of 3

PDM: Rev:B STATUS:Released Printed: Oct 16, 2003

All dimensions are in millimeters unless otherwise specified.
 All tolerances are in millimeters unless otherwise specified.
 All angles are in degrees unless otherwise specified.
 All hole diameters are in millimeters unless otherwise specified.
 All hole locations are in millimeters unless otherwise specified.
 All hole diameters are in millimeters unless otherwise specified.
 All hole locations are in millimeters unless otherwise specified.

BERG ELECTRONICS

All dimensions are in millimeters unless otherwise specified.
 All tolerances are in millimeters unless otherwise specified.
 All angles are in degrees unless otherwise specified.
 All hole diameters are in millimeters unless otherwise specified.
 All hole locations are in millimeters unless otherwise specified.
 All hole diameters are in millimeters unless otherwise specified.
 All hole locations are in millimeters unless otherwise specified.