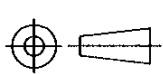
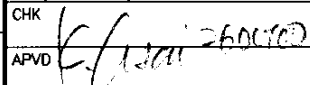
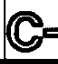


LOC	DIST	REVISIONS 変更					
J	—	P	LTR	DESCRIPTION	DATE	DWN	APVD
		0		Released(FJ00-1640-00)	16OCT00	(S.M)	pa

SEE 2-1437528-6

THIS DRAWING IS UNPUBLISHED.
 RELEASED FOR PUBLICATION
 ALL RIGHTS RESERVED.
 BY TYCO ELECTRONICS CORPORATION.
 © COPYRIGHT

DIMENSIONS: MM TOLERANCES UNLESS OTHERWISE SPECIFIED: 0 PLC ± - 1 PLC ± - 2 PLC ± - 3 PLC ± - 4 PLC ± - ANGLES ± - 	DWN (S.MAKI)	16OCT00	MATERIAL	—	FINISH	—
	CHK					
	APVD	AMP Tyco Electronics AMP K.K. Kawasaki, Japan				
	PRODUCT SPEC	NAME PLCC ソケット ASS'Y(44,52,68,84極) PLCC SOCKET ASS'Y(44,52,68,84POS.)				
APPLICATION SPEC	SIZE	CAGE CODE	DRAWING NO	RESTRICTED TO		
WEIGHT	A4	00779	 3-1437528-4	—		
CUSTOMER DRAWING			SCALE	SHEET	1 OF 1	REV 0