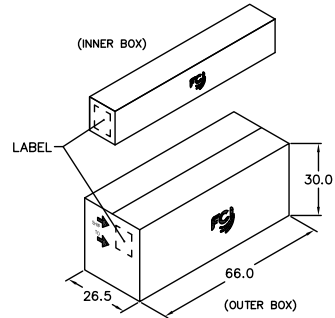




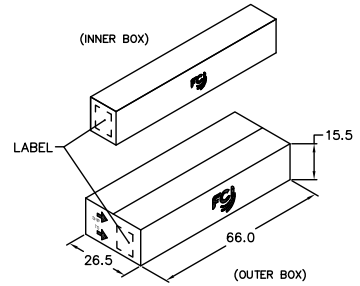
Copyright FCI

< PACKING FOR 44P >



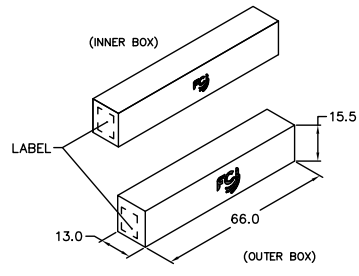
UNIT: CM

< PACKING FOR 28P,32P & 52P >



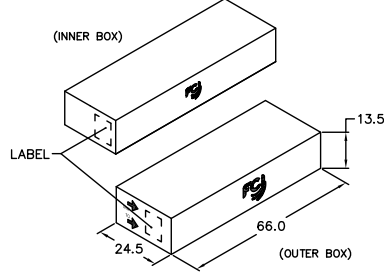
UNIT: CM

< PACKING FOR 20P >



UNIT: CM

< PACKING FOR 68P & 84P >



UNIT: CM

DIP PLCC PACKING LIST FOR TUBE=612mm								
CONTACTS	PCS/TUBE	TUBE/INNER BOX	PCS/INNER BOX	INNER BOX / OUTER BOX	PCS/ OUTER BOX	N.W.(KGS)	G.W.(KGS)	
20P	37	49	1813	1	1813	3.6	5.1	
28P	32	42	1344	2	2688	7.0	10.5	
32P	28	42	1176	2	2352	6.5	9.9	
44P	25	35	875	4	3500	13.4	20.9	
52P	21	32	672	2	1344	6.8	10.8	
68P	18	42	756	1	756	4.4	7.8	
84P	16	39	624	1	624	4.6	8.0	

REV F - 886-01-07

www.fciconnect.com			surface	tolerance std	projection	MM
			TOLERANCES UNLESS OTHERWISE SPECIFIED			
Dr	Jason Hsu	1/11/11	ANGULAR	0.X ± 0.25	size A4	Scale N/A
Eng	Jason Hsu	1/11/11	LINEAR	0.XX ± 0.15		
Chr	Gary Hsieh	1/11/11	0° ± 5°	0.XXX ± 0.10	ECN	T11-0018
Appr	Joseph Hsia	1/11/11	Product family		Spec ref	
FCI title PLCC DIP Socket			54020		Rev. J	
catalog no			CUSTOMER		sheet 2 of 2	