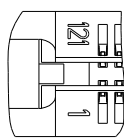
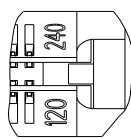


Tolerances unless otherwise specified		
linear	.X	±0.38
	.XX	±0.25
	.XXX	±0.13
angles	X°	±2°



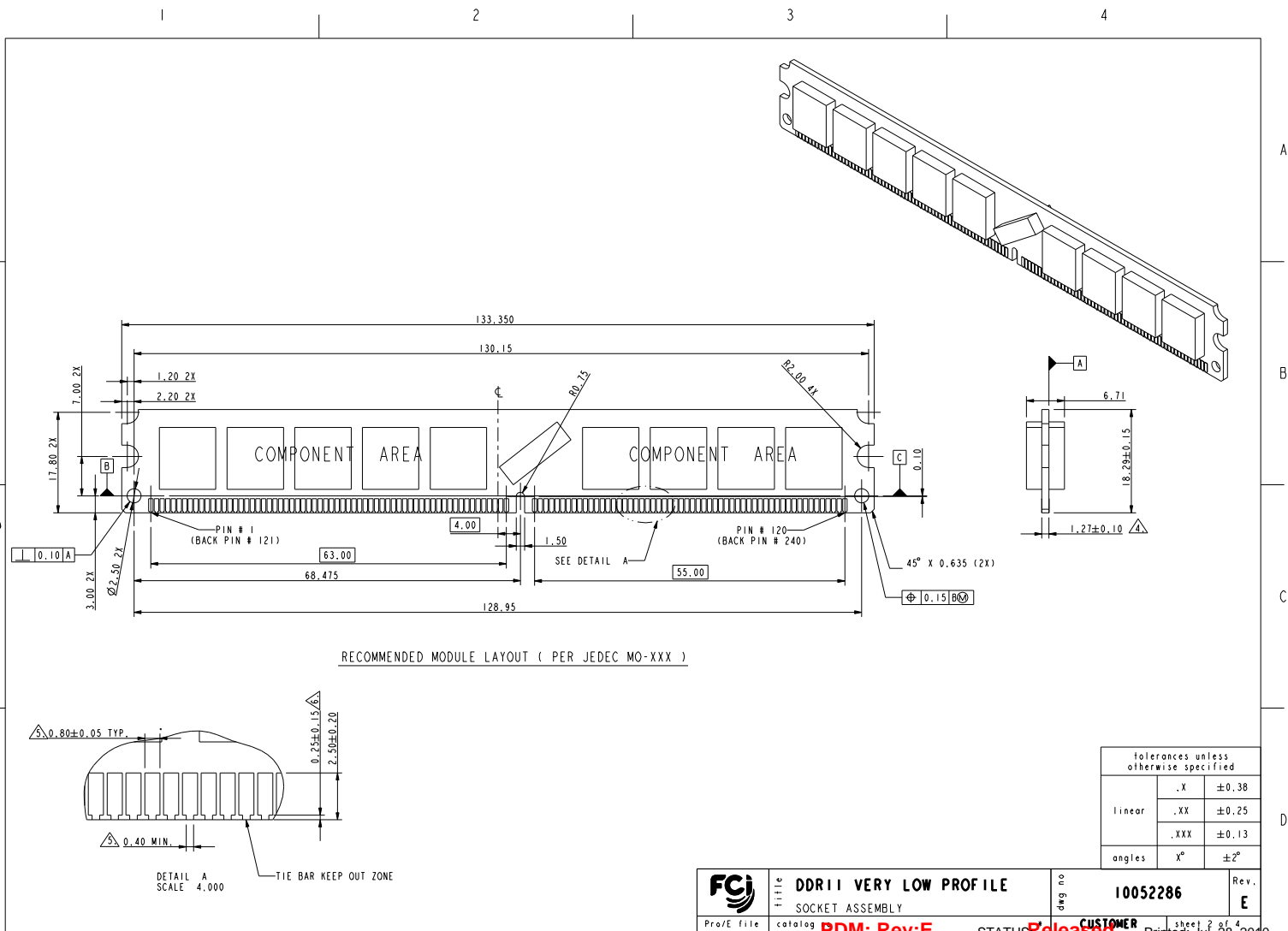
DETAIL A  
SCALE 3.000



DETAIL B  
SCALE 3.000

Mark with WITH_OPEN_LATCH REV. E in area indicated by X.....		Material * Mat code Heat treat Plating/Finish	Spec ref * Tolerance ✓ projection	size A4 Scale 1.000	Rev. E
Dr RICHARD CHIU 01/11/05 Eng RICHARD CHIU 01/11/05 Chr PAUL WANG 01/11/05 Appr JOSEPH HSIA 01/11/05	Product family Model Name WITH_OPEN_LATCH Model Revision 1	REL Level RELEASED	dwg no 10052286	CUSTOMER	sheet 1 of 4
FCI Title DDR1 VERY LOW PROFILE SOCKET ASSEMBLY Prof/E title catalog		PDM: Rev:E	STATUS Released	Printed: Jul 28, 2010	

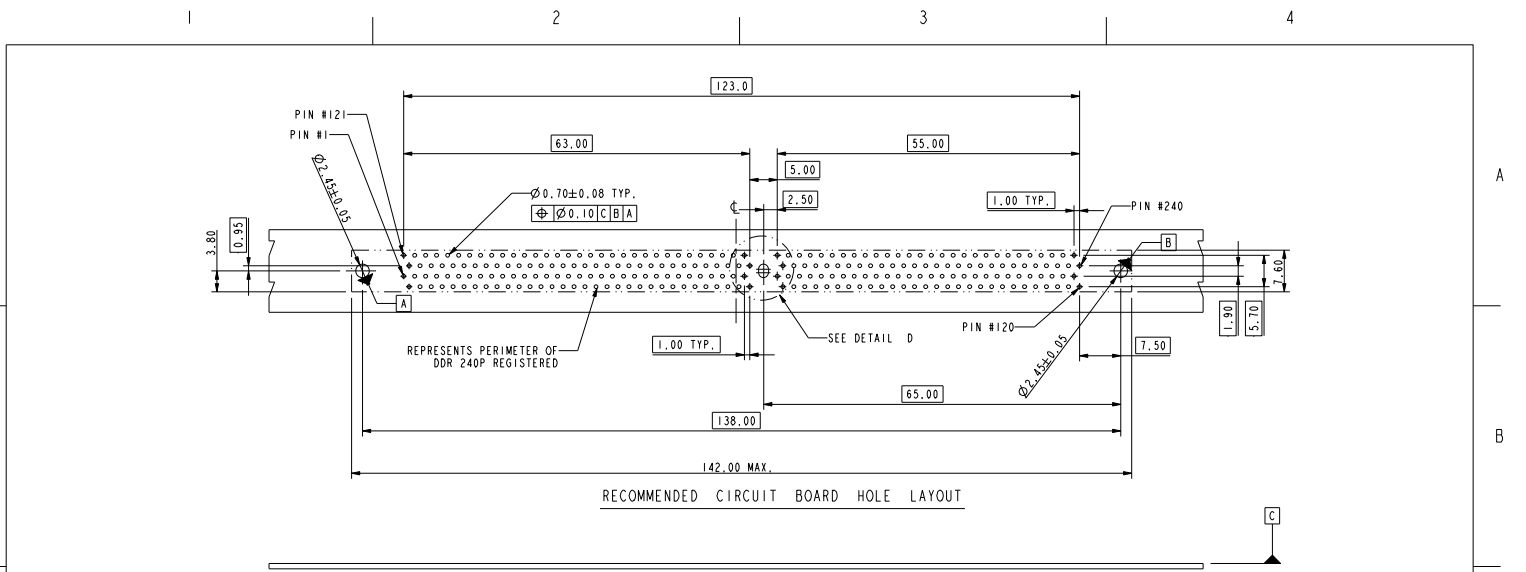
REV F 2006-04-11



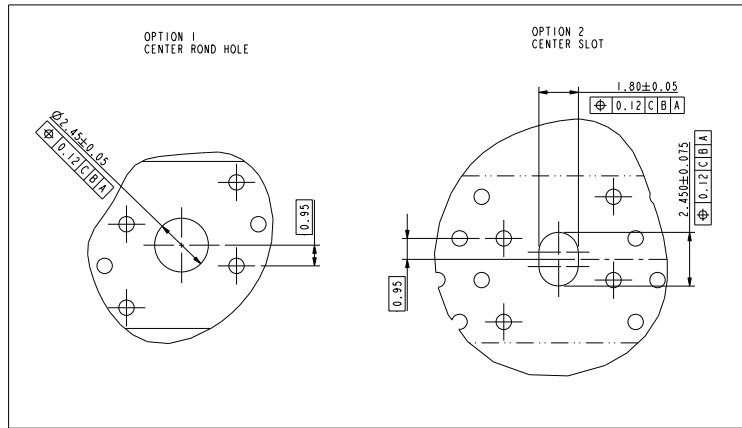
	title	DDR1 VERY LOW PROFILE	dwg no <b>10052286</b>	Rev. <b>E</b>
	Pro/E file catalog	SOCKET ASSEMBLY <b>PDM: Rev:E</b>		
			CUSTOMER	sheet 2 of 4

REV C 2006-04-11

Printed: Jul 28, 2010



DETAIL D  
SCALE 4.000



Tolerances unless otherwise specified		
linear	.X	±0.38
	.XX	±0.25
	.XXX	±0.13
angles	X°	±2°

	<b>Title</b> DDR11 VERY LOW PROFILE SOCKET ASSEMBLY	<b>dwg no</b> 10052286	<b>Rev.</b> E
	<b>Proj/E title</b> catalog	<b>PDM: Rev:E</b>	<b>STATUS</b> Released

CUSTOMER sheet 3 of 4  
Printed: Jul 28, 2010



10052286 - □ □ □ □ □

STYLE : MECHANICAL KEYING

- 1 : 1,8 VOLT. W/TYPE "C"
- 2 : 2,5 VOLT. W/TYPE "L"
- 3 : X.X VOLT. W/TYPE "R"

METAL CLIP

- 1 : WITH METAL CLIP + DIM."D"=3.05
- 2 : WITH METAL CLIP + DIM."D"=3.56
- 3 : WITH METAL CLIP + DIM."D"=3.43

TAIL LENGTH

CODE	DIM. "B"	PCB THICKNESS
0	2.54	1.47 mm (0.058")
1	2.67	1.60 mm (0.063")
2	3.18	2.36 mm (0.093")
3	4.00	3.18 mm (0.125")

PLATING

CODE	CONTACT	SOLDERTAIL	UNDERPLATE
2	15 u" (0.38um) MIN. GOLD	100u" (2.54um) MIN. TIN/LEAD	50u" (1.27um) MIN. NICKEL OVERALL
3	30u" (0.76um) MIN. GOLD		
4	3u" (0.076um) MIN. GOLD		
7LF	15u" (0.38um) MIN. GOLD	100u" (2.54um) MIN. 100% TIN	50u" (1.27um) MIN. NICKEL OVERALL
8LF	30u" (0.76um) MIN. GOLD		
9LF	3u" (0.076um) MIN. GOLD		

COLOR OF HOUSING AND EJECTOR

- 0 : BLACK HOUSING + IVORY EJECTOR
- 1 : BLUE HOUSING + IVORY EJECTOR
- 2 : BLACK HOUSING + BLACK EJECTOR

NOTES:

1. MATERIAL:  
HOUSING: HIGH PERFORMANCE RESINS, GLASS FILLED UL94V-0 RATED.  
EJECTOR: HIGH PERFORMANCE RESINS, GLASS FILLED UL94V-0 RATED.  
TERMINAL: PHOSPHOR BRONZE.  
METAL CLIP: COPPER ALLOY.
2. FCI LOGO TO BE APPROXIMATELY LOCATED AS SHOWN ON PRINT.
3. PRODUCT SPECIFICATION: GS-12-352.
- ⚠️ CARD THICKNESS APPLIES ACROSS TABS AND INCLUDES PLATING AND/OR METALIZATION.
- ⚠️ LEADING EDGE OF CONTACT PADS SPECIFIED BY THE KEEP OUT ZONE SHALL BE FREE OF BURRS AND EXTERNAL TIE BARS. FOR OPTIMUM PERFORMANCE, THE TIE BAR IS TO BE ON AN INTERNAL LAYER SO THAT THE REMNANT CANNOT CAUSE CONTACT DAMAGE.
6. THIS PRODUCT MEETS EUROPEAN UNION DIRECTIVES AND OTHER COUNTRY REGULATIONS AS DESCRIBED IN GS-22-008.
7. THE HOUSING WILL WITH STAND EXPOSURE TO 260°C PEAK TEMPERATURE FOR 10 SECONDS IN A WAVE SOLDER APPLICATION.
8. DATE CODE:XXXXXX\* MEANS MONTH/DAY/YEAR.  
"\*" MEANS PRODUCTION LINE CODE.

	<b>Title</b> DDRII VERY LOW PROFILE SOCKET ASSEMBLY		<b>Orig. no.</b> 10052286	<b>Rev.</b> E
	<b>Prod/E file</b>	<b>catalog</b> PDM: Rev:E	<b>STATUS</b> Released	<b>CUSTOMER</b>

REV 12-2006-04-11

sheet 4 of 4 Printed: Jul 28, 2010