



Series SP200 & SJ200 0.040 [1.02] Shorting Plugs and Jacks

FEATURES

- These Shorting Plugs and Jacks are used in conjunction with Aries DIP Strips, available separately, for your programming needs. Consult [Data Sheet 16007](#) and [Data Sheet 16008](#) for details.
- Convenient handle for insertion and withdrawal.

SHORTING JACK (SJ200) SPECIFICATIONS

- BODY MATERIAL: Black UL 94V-0 Glass-filled 4/6 Nylon
- PIN BODY: Brass 360 1/2-hard per UNS C36000 ASTM-B16-00
- PIN BODY PLATING:
 - SJ200: 200 μ [5.08 μ m] min. Sn per ASTM B545 Type 1 over 100 μ [2.54 μ m] min. Ni per SAE-AMS-QQ-N-290
 - SJ200-TL: 200 μ [5.08 μ m] min. 93/7 Sn/Pb per ASTM B545 over 100 μ [2.54 μ m] min. Ni per SAE-AMS-QQ-N-290
- 4-FINGER COLLET CONTACT: Be-Cu per UNS C17200 ASTM-B194-01
- CONTACT PLATING: 30 μ [0.76 μ m] min. Au per MIL-G-45204 over 50 μ [1.27 μ m] min. Ni per SAE-AMS-QQ-N-290
- CONTACT CURRENT RATING: 8 amps
- OPERATING TEMPERATURE: -67°F to 221°F [-55° to 105°C]
- INSERTION FORCE: 240 grams/pin
- WITHDRAWAL FORCE: 130 grams/pin
- NORMAL FORCE: 210 grams/pin, based on a 0.040 [1.02] dia. test lead
- ACCEPTS LEADS: 0.032-0.047 [0.81-1.19] in dia., 0.130-0.180 [3.30- 4.56] long

SHORTING PLUG (SP200) SPECIFICATIONS

- BODY MATERIAL: Black UL 94V-0 Glass-filled 4/6 Nylon
- PIN: Brass 260 1/4- or 1/2-hard
- PIN PLATING: 10 μ [0.25 μ m] Au per MIL-G-45204 over 50 μ [1.27 μ m] Ni per SAE-AMS-QQ-N-290
- CONTACT CURRENT RATING: 5 amps
- OPERATING TEMPERATURE: -67°F to 221°F [-55° to 105°C]



CUSTOMIZATION: In addition to the standard products shown on this page, Aries specializes in custom design and production. Special materials, platings, sizes, and configurations can be furnished, depending on the quantity. **NOTE:** Aries reserves the right to change product general specifications without notice.

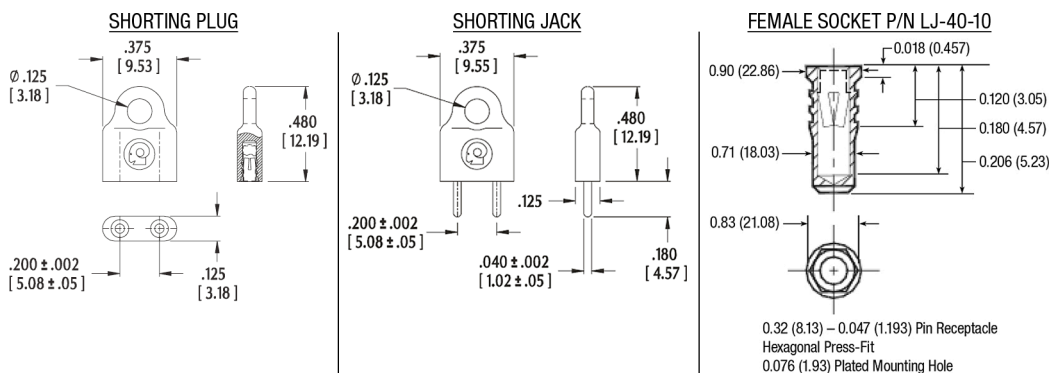
ORDERING INFORMATION

Specify P/N JS200 or P/N SJ200-TL when ordering JACKS, which are used with Aries MALE DIP STRIPS, Series M40, see [DATA SHEET 16007](#) for details.

Specify P/N JP200 when ordering PLUGS, which are used with Aries FEMALE DIP STRIPS, Series F40, see [DATA SHEET 16008](#) for details.

ALL DIMENSIONS IN INCHES [MILLIMETERS]

ALL TOLERANCES ± 0.005 [± 0.13] UNLESS OTHERWISE SPECIFIED



Bristol, PA 19007-6810 USA
 TEL (215) 781-9956 • FAX (215) 781-9845
WWW.ARIESELEC.COM • INFO@ARIESELEC.COM



PRINTOUTS OF THIS DOCUMENT MAY BE OUT OF DATE AND SHOULD BE CONSIDERED UNCONTROLLED

16009
 1 of 1
 Rev. AA