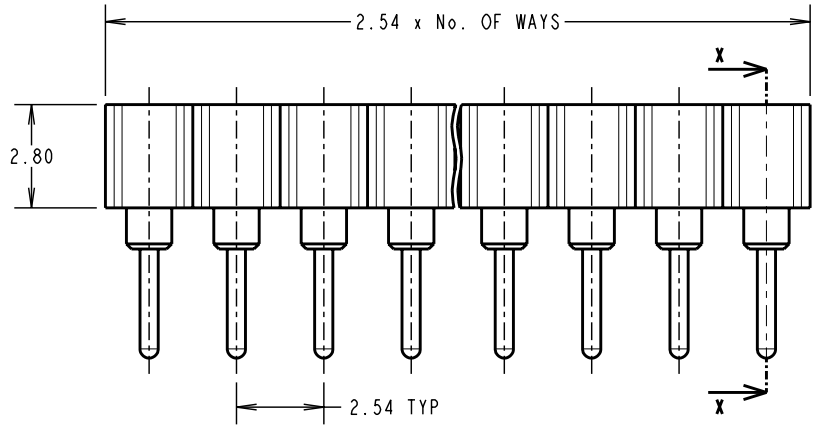
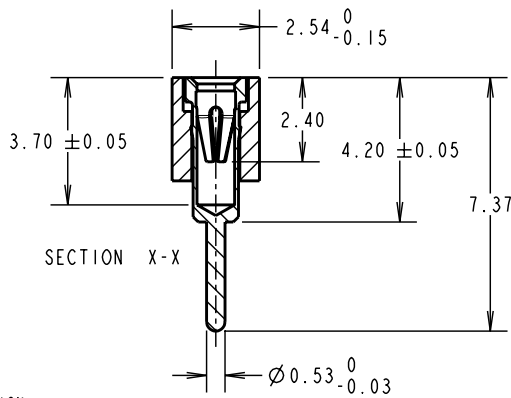


Customer Information Sheet

DRAWING No.: D01-997XX42 SHEET 2 OF 2 IF IN DOUBT - ASK © NOT TO SCALE THIRD ANGLE PROJECTION ALL DIMENSIONS IN mm



SPECIFICATION:

MATERIAL:
 CARRIER = GLASS FILLED PCT, BLACK, UL94V-0
 SHELL = BRASS
 CONTACT = BERYLLIUM COPPER

FINISH:
 SHELL = 5µ 100% TIN OVER NICKEL
 CLIP = GOLD FLASH OVER NICKEL

ELECTRICAL:
 CURRENT RATING = 1A
 VOLTAGE RATING = 100V AC, 150V DC
 CONTACT RESISTANCE = 10 MILLIOHMS MAX
 INSULATION RESISTANCE = 10000 MEGOHMS MIN
 DIELECTRIC WITHSTANDING = 100V AC MIN.

MECHANICAL:
 INSERTION FORCE (Ø0.46mm GAUGE) = 5N MAX
 WITHDRAWAL FORCE (Ø0.46mm GAUGE) = 0.5N MIN
 DURABILITY = 500 CYCLES MIN.
ENVIRONMENTAL:
 TEMPERATURE RANGE = -55°C TO +125°C

NOTES:

1. RECOMMENDED PCB SIZE = 1.4-2.0mm
2. RECOMMENDED PIN SIZE = Ø0.40-0.56mm
3. RECOMMENDED PCB HOLE SIZE = Ø0.8mm

ORDER CODE:
D01-997XX42

No. OF WAYS _____
 01-32, 48, 64
 FINISH _____
 GOLD CLIP, 100% TIN SHELL

SM	10	04.05.10	10777
NAME	ISS.	DATE	C/NOTE
APPROVED: S. MCCULLAGH			
CHECKED: R. ADDE			
DRAWN: D. BECK			
CUSTOMER REF.:			
ASSEMBLY DRG:			



HARWIN USA TEL: 603 893 5376 FAX: 603 893 5396 mis@harwin.com	HARWIN Europe (UK) TEL: 023 9231 4545 FAX: 023 9231 4590 mis@harwin.co.uk	HARWIN Asia TEL: +65 6 779 4909 FAX: +65 6 779 3868 mis@harwin.com.sg
--	--	--

THIS DRAWING AND ANY INFORMATION OR DESCRIPTIVE MATTER SET OUT HEREON ARE CONFIDENTIAL AND COPYRIGHT PROPERTY OF THE HARWIN GROUP AND MUST NOT BE DISCLOSED, LOANED, COPIED OR USED FOR MANUFACTURING, TENDERING OR FOR ANY OTHER PURPOSE WITHOUT THEIR WRITTEN PERMISSION.

TOLERANCES
 X. = ±1mm
 X.X = ±0.25mm
 X.XX = ±0.10mm
 X.XXX = ±0.01mm
ANGLES = ±5°
 UNLESS STATED

MATERIAL:
 SEE ABOVE
FINISH: SEE ABOVE
S/AREA: mm²

TITLE:
 SIL THROUGH SOCKET CONNECTOR

DRAWING NUMBER:
D01-997XX42

SHT
 2 OF 2