

# .100" (2.54 mm) DIP Sockets

ZIP DIP



- For DIPs with .100" (2.54 mm) lead spacing
- Pin counts for 14-64 leads
- Lever actuated zero insertion force mechanism
- Socket easily disassembles for repairability
- Socket contact point of .110" (2.79 mm) below top surface of socket

Date Issued: July 11, 2001

TS-0365-14  
Sheet 1 of 3

12

---

## Physical

### Insulation

Material: Glass Filled Polysulfone

Flammability: UL 94V-0

Color: Green

**Marking:** 3M Logo & Part Number Identifier

### Contact

Material: Beryllium Copper

Plating: 30  $\mu$ " (0.76  $\mu$ m) Gold over 50  $\mu$ " (1.3  $\mu$ m) Nickel

---

## Electrical

**Current Rating:** 1 Amp

**Insulation Resistance:**  $> 1 \times 10^9 \Omega$  at 500 Vdc

**Withstanding Voltage:** 1000 Vrms at Sea Level

---

## Environmental

**Operating Temperature Rating:** - 55 C to +150 C

---

## Mechanical

When used as a test socket at room temperature 24 C the socket will last **20,000 actuations**.

---

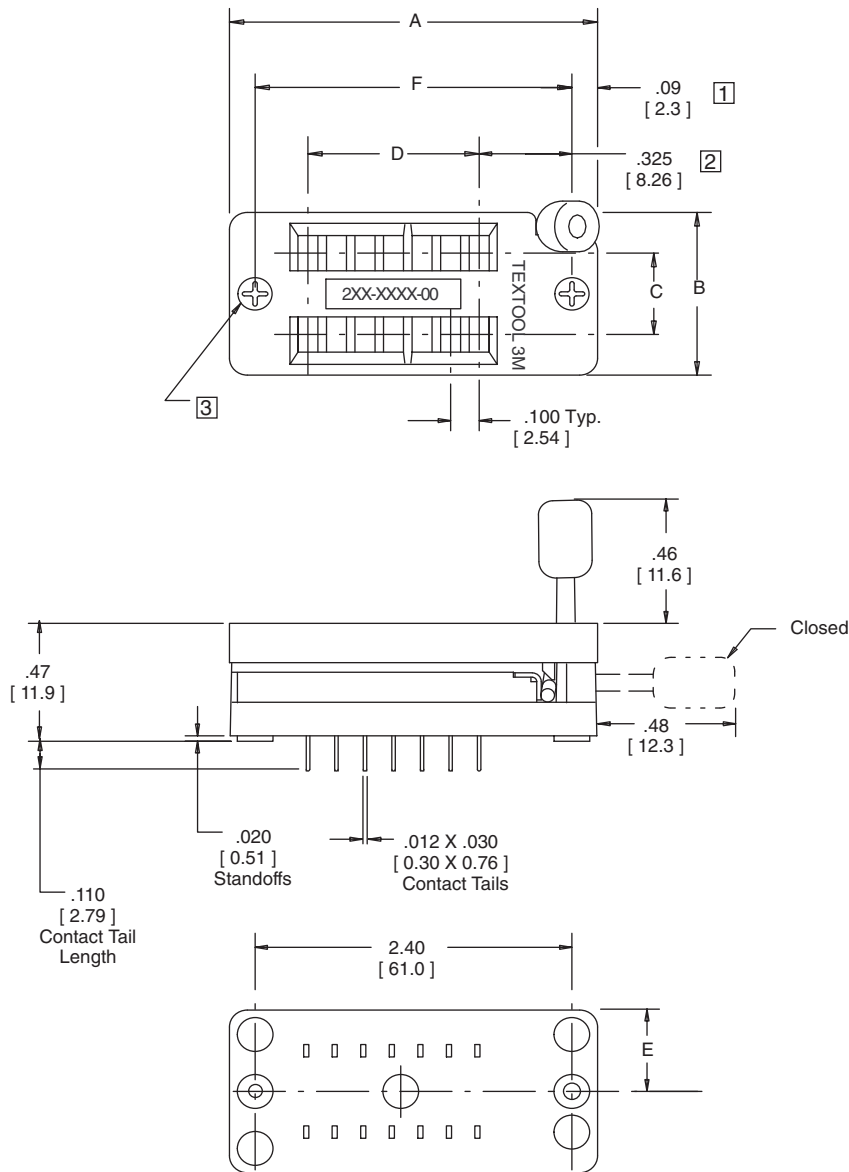
### 3M Electronic Handling and Protection Division

6801 River Place Blvd.  
Austin, TX 78726-9000

For technical, sales or ordering information call **800-328-0411**  
or visit our website: <http://www.3M.com/ehpd>

# .100" (2.54 mm) DIP Sockets

ZIP DIP



**Notes:**

- 1 This dimension is .105 [ 2.67 ] for the 48 and 64 lead sockets.
- 2 This dimension is .40 [ 10.2 ] for the 48 and 64 lead sockets.
- 3 224-1275-00-0602J, 228-1277-00-0602J, 232-1285-00-0602J, 240-1280-00-0602J, 242-1281-00-0602J, and 248-1182-00-0602J have thru holes and no screws.

	Tolerance $\frac{\text{inch}}{\text{mm}}$	
Dimension	$\frac{.00}{(.0)}$	$\frac{.000}{(.00)}$
Tolerance	$\pm \frac{.010}{(\pm .25)}$	$\pm \frac{.005}{(\pm .13)}$

## Ordering Information

See tables on the next page.

TS-0365-14  
Sheet 2 of 3

### 3M Electronic Handling and Protection Division

6801 River Place Blvd.  
Austin, TX 78726-9000

For technical, sales or ordering information call **800-328-0411**  
or visit our website: <http://www.3M.com/ehpd>


# .100" (2.54 mm) DIP Sockets

ZIP DIP

Contact Quantity	Device Row Spacing Accepted	Dim A	Dim B	Dim C	Dim D	Dim E	Dim F
14	.17 - .43 [ 4.3 ] - [ 10.9 ]	1.30 [ 33.0 ]	.60 [ 15.2 ]	.300 [ 7.62 ]	.60 [ 15.2 ]	.30 [ 7.6 ]	1.11 [ 28.2 ]
16	.17 - .43 [ 4.3 ] - [ 10.9 ]	1.39 [ 35.3 ]					1.21 [ 30.7 ]
18	.17 - .43 [ 4.3 ] - [ 10.9 ]	1.49 [ 37.8 ]					1.31 [ 33.3 ]
20	.17 - .43 [ 4.3 ] - [ 10.9 ]	1.59 [ 40.4 ]					1.41 [ 35.8 ]
22	.27 - .53 [ 6.9 ] - [ 13.5 ]	1.69 [ 42.9 ]	.70 [ 17.8 ]	.400 [ 10.16 ]	1.00 [ 25.4 ]	.35 [ 8.9 ]	1.51 [ 38.4 ]
24	.47 - .73 [ 11.9 ] - [ 18.5 ]	1.78 [ 45.3 ]	.90 [ 22.9 ]	.600 [ 15.25 ]	1.10 [ 27.9 ]	.45 [ 11.4 ]	1.61 [ 40.9 ]
	.17 - .43 [ 4.3 ] - [ 10.9 ]	1.79 [ 45.5 ]	.60 [ 15.2 ]	.300 [ 7.62 ]		.30 [ 7.6 ]	
28	.47 - .73 [ 11.9 ] - [ 18.5 ]	1.98 [ 50.4 ]	.90 [ 22.9 ]	.600 [ 15.25 ]	1.30 [ 33.0 ]	.45 [ 11.4 ]	1.81 [ 46.0 ]
	.27 - .53 [ 6.9 ] - [ 13.5 ]	1.99 [ 50.5 ]	.70 [ 17.8 ]	.400 [ 10.16 ]		.35 [ 8.9 ]	1.83 [ 46.0 ]
32	.47 - .73 [ 11.9 ] - [ 18.5 ]	2.19 [ 55.5 ]	.90 [ 22.9 ]	.600 [ 15.25 ]	1.50 [ 38.1 ]	.45 [ 11.4 ]	2.01 [ 51.1 ]
40	.47 - .73 [ 11.9 ] - [ 18.5 ]	2.58 [ 65.6 ]					2.41 [ 61.2 ]
		.87 - 1.13 [ 22.1 ] - [ 28.7 ]	2.58 [ 65.5 ]	1.30 [ 33.0 ]	1.000 [ 25.40 ]	1.90 [ 48.3 ]	.65 [ 16.5 ]
42	.47 - .73 [ 11.9 ] - [ 18.5 ]	2.68 [ 68.2 ]	.90 [ 22.9 ]	.600 [ 15.25 ]	2.0 [ 50.8 ]	.45 [ 11.4 ]	2.51 [ 63.8 ]
48	.47 - .73 [ 11.9 ] - [ 18.5 ]	2.98 [ 75.8 ]					2.30 [ 58.4 ]
64	.77 - 1.03 [ 19.8 ] - [ 26.2 ]	3.95 [ 100.3 ]	1.30 [ 33.0 ]	.900 [ 22.86 ]	3.10 [ 78.7 ]	65 [ 16.5 ]	3.73 [ 94.7 ]

## Ordering Information

Socket Part Number	Contact Quantity	Distance Between Rows	Mating Receptacle Part Number
214-3339-00-0602J	14	.300 [ 7.62 ]	214-3339-XX-0602J
216-3340-00-0602J	16		216-3340-XX-0602J
218-3341-00-0602J	18		218-3341-XX-0602J
220-3342-00-0602J	20		220-3342-XX-0602J
222-3343-00-0602J	22	.400 [ 10.16 ]	222-3334-XX-0602J
224-1275-00-0602J	24	.600 [ 15.24 ]	*224-1275-XX-0602J
224-5248-00-0602J		.300 [ 7.62 ]	224-5248-XX-0602J
228-1277-00-0602J	28	.600 [ 15.24 ]	*228-1277-XX-0602J
228-4817-00-0602J		.400 [ 10.16 ]	228-4817-XX-0602J
232-1285-00-0602J	32	.600 [ 15.24 ]	*232-1285-XX-0602J
240-1280-00-0602J	40		240-1280-XX-0602J
240-3639-00-0602J			1.00 [ 25.4 ]
242-1281-00-0602J	42	.600 [ 15.24 ]	*242-1281-XX-0602J
248-1282-00-0602J	48		*248-1282-XX-0602J
264-4493-00-0602J	64	.900 [ 22.86 ]	264-4493-XX-0602J

Contact Tail Length:   
 XX = 09 Solder Tail .13 [ 3.3 ] w/ flanges  
 = 19 Wire Wrap Tail .62 [ 15.8 ] w/ flanges  
 = 29 Solder Tail .13 [ 3.3 ] w/out flanges  
 = 39 Wire Wrap Tail .62 [ 15.8 ] w/out flanges TS-0365-14

\*Only these P/N's available with -09, -19, -29, and -39 receptacle options.  
 All others only available with -09, and -19 options.

Sheet 3 of 3

## 3M Electronic Handling and Protection Division

6801 River Place Blvd.  
 Austin, TX 78726-9000

For technical, sales or ordering information call **800-328-0411**  
 or visit our website: <http://www.3M.com/ehpd>