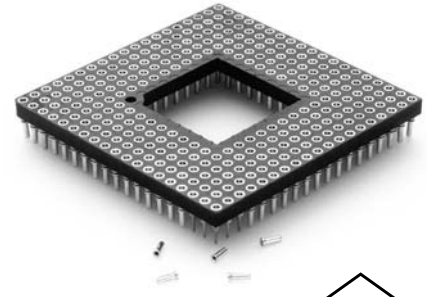
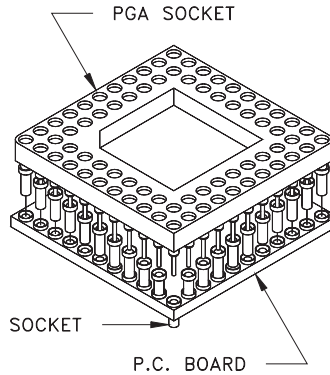
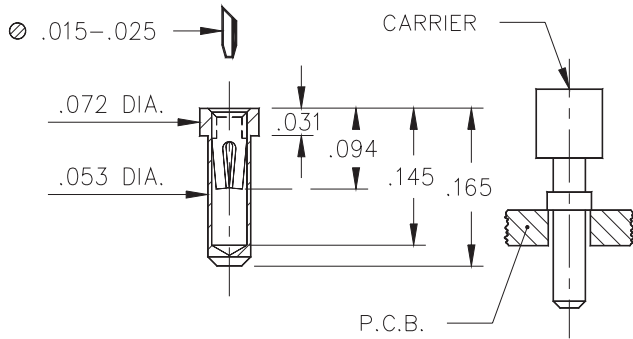


- Series 614 & 605 PGA carrier sockets offer 4 receptacle styles.
- Many combinations of receptacles and clips to cover all applications.
- Hi-Temp PCT polyester insulator material suitable for all forms of soldering.
- Carrier sockets provide a convenient way of loading groups of receptacles onto a PC board.

**APPLICATION OF
PGA SOCKET CARRIERS**

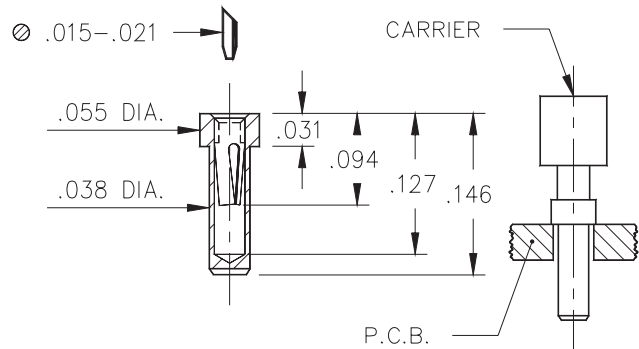


**LOW PROFILE SOCKET
SERIES 614...001, 002, 003**

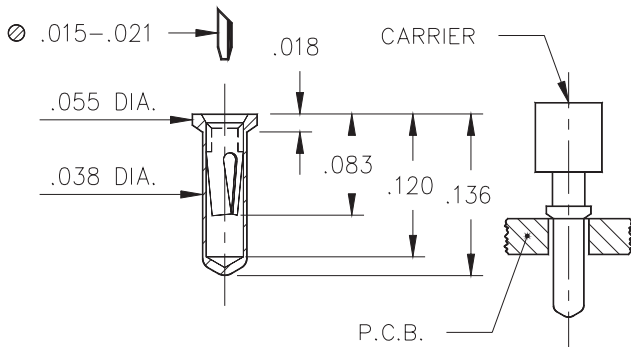


For .100" Grid Only

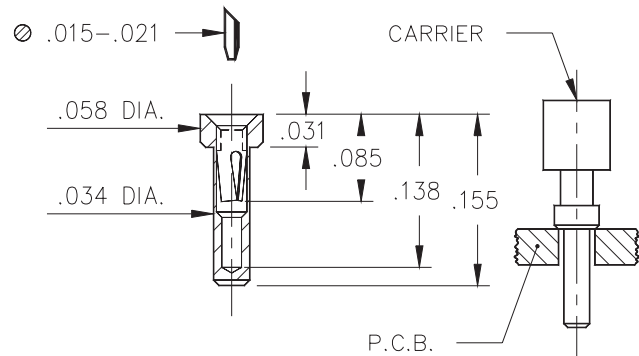
**MINIATURE SOCKET
SERIES 614...007**



**LOWEST PROFILE SOCKET
SERIES 614...012**



**REDUCED BARREL SOCKET
SERIES 605...048**



For Electrical,
Mechanical & Environmental
Data, See pg. 112

XX=Plating Code
See Below

For RoHS compliance
select \diamond plating code.

Visit www.mill-max.com/pgacARRIER
To configure a formal Part Number

SPECIFY PLATING CODE XX=	13 \diamond	93	43 \diamond
Sleeve (Pin)	10 μ " Au	200 μ " Sn/Pb	200 μ " Sn
Contact (Clip)	30 μ " Au	30 μ " Au	30 μ " Au