



MICRO SWITCH

FREEPORT, ILLINOIS, U.S.A.
A DIVISION OF HONEYWELL

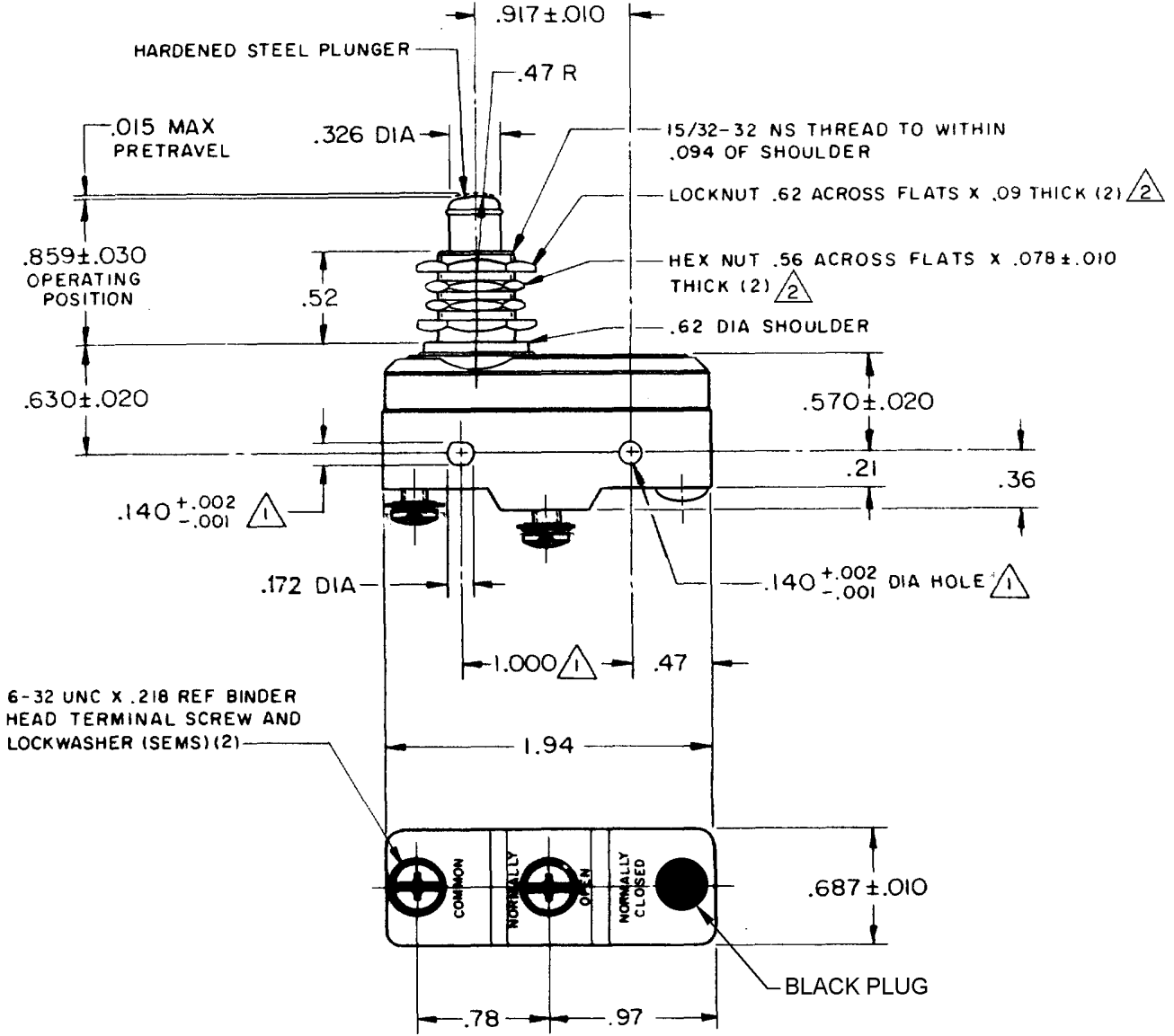
FED. MFG. CODE 91929

SWITCH - BASIC

CATALOG LISTING

YZ-2RQIT

MYZ-2RQIT
 PAGE 1 OF 1
 DRAWING NUMBER
 ISSUE 18
 REVISIONS
 A CO17410
 G C H
 20 MAY 63
 B CO-89351-D
 JWB
 18 JUL 91
 C CO-77588
 K D R
 25 MAR 94
 D CO-82133
 CSL
 31 JUL 96
 E CO93346
 D L T
 22 SEP 98
 F 0000713
 JAH
 30 JUN 03
 CHECK L.S.D 15 JUN 63
 RASTER
 DRAWN
 G C H 20 MAY 63
 CHECK
 RELEASE NO.
 REPLACES



6-32 UNC X .218 REF BINDER HEAD TERMINAL SCREW AND LOCKWASHER (SEMS) (2)

- NOTES
- ① MOUNTING HOLES WILL ACCEPT PINS OR SCREWS OF .139 MAX DIA ON 1.000 ± .002 CENTERS
 - ② HARDWARE FURNISHED UNASSEMBLED

THIS DRAWING COVERS A PROPRIETARY ITEM AND IS THE PROPERTY OF MICRO SWITCH, A DIVISION OF MINNEAPOLIS-HONEYWELL REGULATOR CO. THIS DRAWING IS NOT TO BE COPIED OR USED WITHOUT THE APPROVAL OF MICRO SWITCH.

CHARACTERISTICS	ELECTRICAL DATA	SCALE FULL
OPERATING FORCE ----- 9 - 13 OZ	CONTACT ARRANGEMENT S P N O	DO NOT SCALE PRINT
RELEASE FORCE ----- 4 OZ MIN	UNDERWRITERS' LAB. INC. LISTED RATING -L96- 15 A - 125, 250, OR 480 VAC 1/2 A - 125 VDC; 1/4 A - 250 VDC 1/8 HP - 125 VAC; 1/4 HP - 250 VAC	UNLESS OTHERWISE NOTED DIMENSIONS ARE IN INCHES TOLERANCES ARE: ONE PLACE (.0) ±.030 TWO PLACE (.00) ±.015 THREE PLACE (.000) ±.005 ANGLES ±
DIFFERENTIAL TRAVEL ----- .0004 - .0020	-L288- -L299- -L306- 16A 250V ~ T85 5E4	WEIGHT .093 LB
OVERTRAVEL ----- .219 MIN		