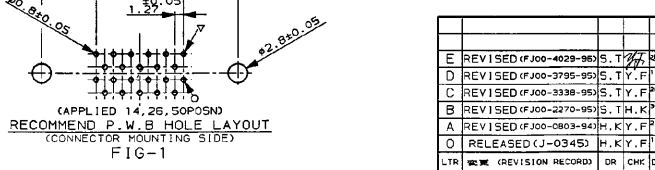
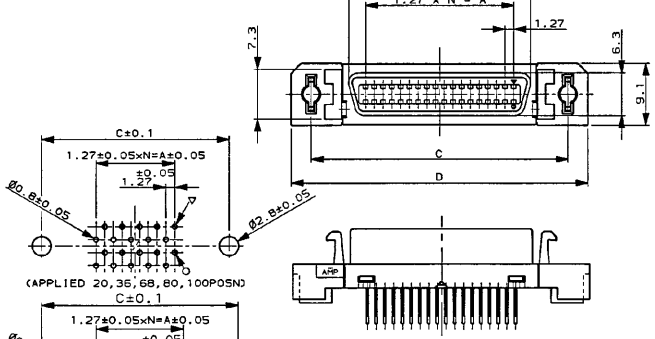
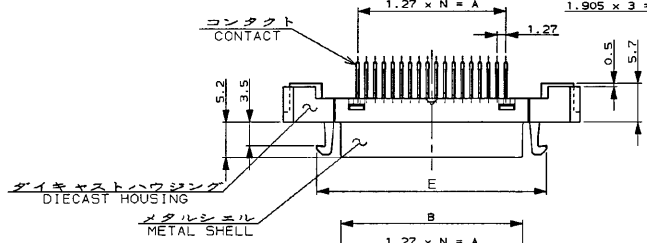
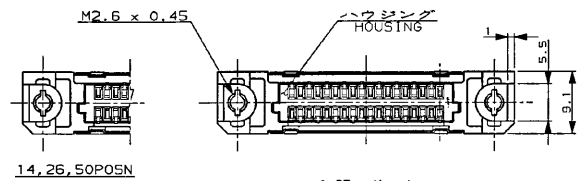
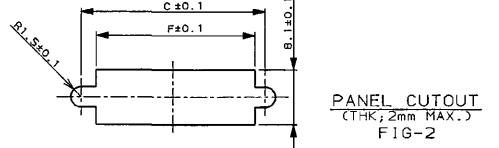


NUMBER C-175887
METRIC
5°/30°/45° ANGLE PROJECTION



注 記
1 適用ねじ: M2.6 平頭ネジ
2 材料: ハウジング: 175677, 175750, 175751
3 コンタクト: リン青銅、ニッケル下地に接触部全メッキ
メタルシェル: 鋼、銅下地メッキにニッケルメッキを施す。
ダイキャストハウジング: 鋳鉛
ハウジング: 熱可塑性樹脂、UL94V-0、色: 黒。
メッキ: チンシヨウメッキ: 参考
4 挿入基板厚: 1.5mm (参考)

NOTES
1 USED SCREW SIZE: M2.6 PANHEAD SCREW.
CONNECTOR TO BE MATED: 175677, 175750, 175751
2 MATERIAL AND FINISH:
* CONTACT: PHOS-BRONZE
FIN.: NI PLATING OVER NI UNDER PLATING
ON CONTACT AREA.
TIN-LEAD PLATING OVER NI UNDER PLATING
ON SOLDER TINE AREA.
* METAL SHELL: STEEL
FIN.: NI PLATING OVER COPPER UNDER PLATING.
* DIECAST HOUSING: ZINC
FIN.: NI PLATING OVER COPPER UNDER PLATING.
* HOUSING: THERMOPLASTIC, UL94V-0, BLACK
* RETENTION LEG: BRASS.
TIN-LEAD PLATING WITH OVER NICKEL
PLATING OVER ALL
4 RECOMMEND P.W.B THICKNESS: 1.5MM



| | | | | | | | | | |
|--------|----|-------|-------|-------|-------|-------|-------|-----|------------|
| 0.75μm | 39 | 61.90 | 61.55 | 71.45 | 55.55 | 54.53 | 49.53 | 80 | 3-175887-0 |
| | 49 | 74.60 | 74.25 | 84.15 | 78.25 | 67.23 | 62.23 | 100 | 2-175887-9 |
| 0.3μm | 33 | 54.20 | 53.93 | 63.83 | 57.93 | 46.91 | 41.91 | 68 | 2-175887-8 |
| | 24 | 42.80 | 42.50 | 52.40 | 46.50 | 35.48 | 30.48 | 50 | 2-175887-7 |
| | 17 | 33.90 | 33.61 | 43.51 | 37.61 | 26.59 | 21.59 | 36 | 2-175887-5 |
| | 12 | 27.60 | 27.26 | 37.16 | 31.26 | 20.24 | 15.24 | 26 | 2-175887-4 |
| | 9 | 23.80 | 23.45 | 33.35 | 27.45 | 16.43 | 11.43 | 20 | 2-175887-2 |
| | 6 | 19.90 | 19.64 | 29.54 | 23.64 | 12.62 | 7.62 | 14 | 2-175887-1 |
| | 39 | 61.90 | 61.55 | 71.45 | 55.55 | 54.53 | 49.53 | 80 | 1-175887-0 |
| | 49 | 74.60 | 74.25 | 84.15 | 78.25 | 67.23 | 62.23 | 100 | 175887-9 |
| | 33 | 54.20 | 53.93 | 63.83 | 57.93 | 46.91 | 41.91 | 68 | 175887-8 |
| | 24 | 42.80 | 42.50 | 52.40 | 46.50 | 35.48 | 30.48 | 50 | 175887-7 |
| | 17 | 33.90 | 33.61 | 43.51 | 37.61 | 26.59 | 21.59 | 36 | 175887-5 |
| | 12 | 27.60 | 27.26 | 37.16 | 31.26 | 20.24 | 15.24 | 26 | 175887-4 |
| | 9 | 23.80 | 23.45 | 33.35 | 27.45 | 16.43 | 11.43 | 20 | 175887-2 |
| | 6 | 19.90 | 19.64 | 29.54 | 23.64 | 12.62 | 7.62 | 14 | 175887-1 |

| | | | | | | | |
|--|--|--|---------------------------------|--|--|------------------|----------|
| E REVISIONS (FJ00-4029-98) S.T.Y.F. 3/2000 | | Copyright ©1992 AMP (Japan), LTD. ALL RIGHTS RESERVED. | | Copyright ©1992 AMP (Japan), LTD. ALL RIGHTS RESERVED. | | AMP Tokyo, Japan | |
| D | REVISED (FJ00-3795-95) S.T.Y.F. 3/2000 | --- mm (ANG -) --- mm | --- mm (INSULATION DIA.) --- mm | REC HEAD ASSY, VERTICAL CHAMP.050 Series(11) STD-TYPE (M2.6) | | LOG | C-175887 |
| C | REVISED (FJ00-3338-95) S.T.Y.F. 3/2000 | --- mm (MATERIAL) --- mm | --- mm (FINISH) --- mm | GENERAL TOLERANCES | | B | J |
| B | REVISED (FJ00-2270-95) S.T.H.K. 3/2000 | SEE NOTE A | SEE NOTE A | 1/20 ± 0.2 | | 2-1 | E |
| A | REVISED (FJ00-0803-94) H.K.Y.F. 3/2000 | SEE NOTE A | SEE NOTE A | 1/16 ± 0.25 | | REV. | SHEET |
| O | RELEASED (J-0345) H.K.Y.F. 3/2000 | DR. H. KODAMA | DE. H. KODAMA | 1/32 ± 0.3 | | 2-1 | E |
| LTR | REV. (REVISION RECORD) | DR. H. KODAMA | APP. Y. FUJURA | 1/64 ± 0.3 | | REV. | SHEET |

(CUSTOMER DRAWING) 参考 面