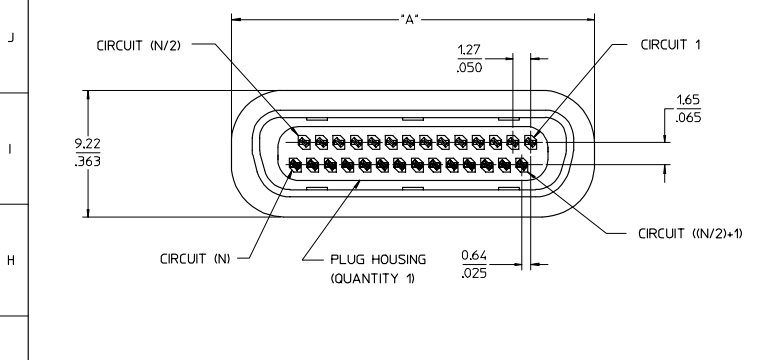
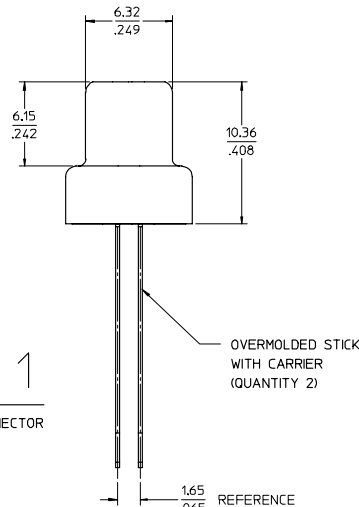
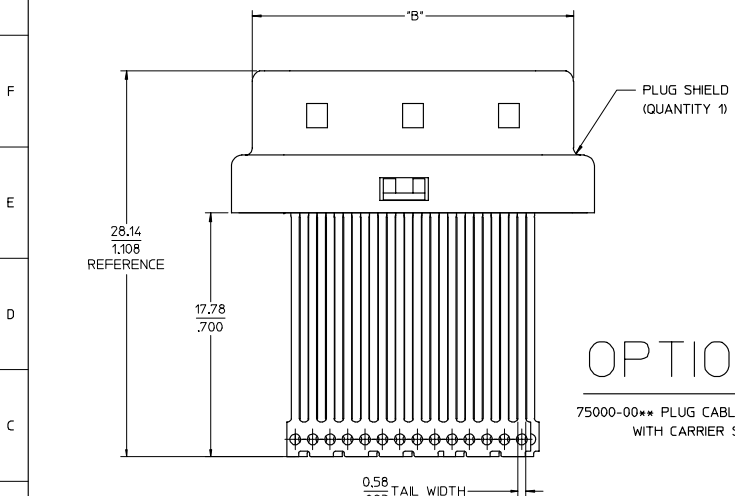


13 12 11 10 9 8 7 6 5 4 3 2 1



NOTES:

- MATERIALS:  
SHIELD: DEEP DRAWN STEEL.  
HOUSING: GLASS FILLED POLYMER, COLOR: BLACK, UL 94V-0.  
CONTACTS: COPPER ALLOY, OVERMOLDED WITH GLASS FILLED POLYMER, COLOR: BLACK, UL 94V-0.
- PLATING:  
SHIELD: 2.54 MICROMETERS/100 MICROINCHES MINIMUM BRIGHT TIN (Sn) OVER 1.27 MICROMETERS/50 MICROINCHES MINIMUM NICKEL (Ni) OVER COPPER (Cu) UNDERPLATE OVERALL.  
TERMINALS: SELECTIVE GOLD (Au) IN CONTACT AREA, THICKNESS 0.38 MICROMETERS/15 MICROINCHES MINIMUM; SELECTIVE TIN (Sn) IN TAIL AREA, THICKNESS 2.54 MICROMETERS/100 MICROINCHES MINIMUM OVER NICKEL (Ni) UNDERPLATE OVERALL.
- OPTION 1 KIT PACKAGING: PLUG COMPONENTS ARE SHIPPED UNASSEMBLED. PLUG SHIELD AND HOUSING TO BE BULK PACKAGED AND THE OVERMOLDED STICKS WITH CARRIER TO BE PACKAGED IN POCKETED TRAYS (REFER TO PK-75000-900).
- REFER TO SHEET 2 FOR OPTION 2.



OPTION 1  
75000-00\*\* PLUG CABLE CONNECTOR WITH CARRIER STRIP

NOT TOOLED	ITEM NUMBER	CIRCUIT SIZE	"A" DIMENSION	"B" DIMENSION	
	75000-0028	28	26.47 1.042	23.42 .922	
X	75000-0038	38	32.82 1.292	29.77 1.172	CONTACT PRODUCT MARKETING
A	75000-0048	48	39.17 1.542	36.12 1.422	
X	75000-0072	72	54.41 2.142	51.36 2.022	CONTACT PRODUCT MARKETING

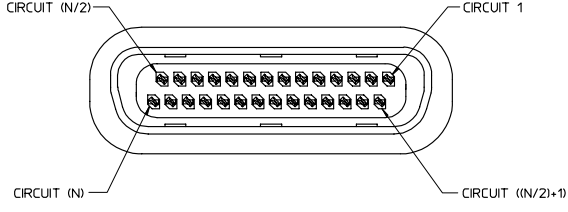
REMOVE 18 CKT EC NO. UCP2006-1957 DRWINGIRGAN 2006/02/28 CHACKBARRER 2006/03/06 APPR: SHTLLER 2006/03/06 REV	QUALITY SYMBOLS	GENERAL TOLERANCES (UNLESS SPECIFIED)	DIMENSION STYLE	SCALE	DESIGN UNITS	THIRD ANGLE PROJECTION
	=0 =0 =0	4 PLACES ± .010 3 PLACES ± .010 2 PLACES ± 0.25 1 PLACE ± .010 ANGULAR ±1/2°	MM/IN	5:1	INCH	
		DRAFT WHERE APPLICABLE MUST REMAIN WITHIN DIMENSIONS	MATERIAL NO. SEE CHART	TITLE SALES DRAWING - TDP TRIAD DIFFERENTIAL PAIR PLUG CONNECTOR		
			SD-75000-001	MOLEX INCORPORATED		
						SHEET NO. 1 OF 2
THIS DRAWING CONTAINS INFORMATION THAT IS PROPRIETARY TO MOLEX INCORPORATED AND SHOULD NOT BE USED WITHOUT WRITTEN PERMISSION						

tb\_frame\_C\_P\_AM\_T Rev. D 2004/06/28 12 11 10 9 8 7 6 5 4 3 2 1

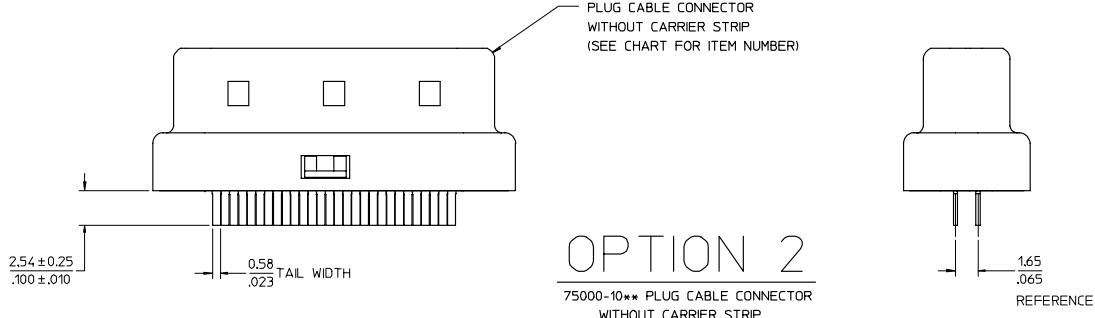
13 12 11 10 9 8 7 6 5 4 3 2 1

J  
I  
H  
G  
F  
E  
D  
C  
B  
A

J  
I  
H  
G  
F  
E  
D  
C  
B  
A



NOTES:  
 1. OPTION 2 KIT PACKAGING: PLUG COMPONENTS ARE SHIPPED ASSEMBLED. PLUG ASSEMBLIES TO BE PACKAGED IN TUBES (REFER TO PK-75000-99%).  
 2. REFER TO SHEET 1 FOR MATERIAL SPECIFICATIONS AND DIMENSIONAL DETAILS.



**OPTION 2**  
 75000-10\*\* PLUG CABLE CONNECTOR  
 WITHOUT CARRIER STRIP

NOT TOOLED	ITEM NUMBER	CIRCUIT SIZE	"A" DIMENSION	"B" DIMENSION	
	75000-1028	28	26.47 1.042	23.42 .922	
X	75000-1038	38	32.82 1.292	29.77 1.172	CONTACT PRODUCT MARKETING
A	75000-1048	48	39.17 1.542	36.42 1.422	
X	75000-1072	72	54.41 2.142	51.36 2.022	CONTACT PRODUCT MARKETING

REMOVE 18 CKT EC NO. UCP2006-1957 2006/02/28 DRW:DMORGAN CHK:BBARKER APPR:STILLER 2006/03/06 2006/03/06	QUALITY SYMBOLS ▽=0 ▽=0	GENERAL TOLERANCES (UNLESS SPECIFIED) mm INCH 4 PLACES ± --- ± --- 3 PLACES ± --- ± .010 2 PLACES ± 0.25 ± --- 1 PLACE ± --- ± --- ANGULAR ±1/2°		DIMENSION STYLE MM/IN	SCALE 5:1	DESIGN UNITS INCH	THIRD ANGLE PROJECTION
		DRAFT WHERE APPLICABLE MUST REMAIN WITHIN DIMENSIONS		DRAWN BY TMCLELL DATE 02/02/11	CHECKED BY SCHMIDGA DATE 02/09/13	TITLE SALES DRAWING - TDP TRIAD DIFFERENTIAL PAIR PLUG CONNECTOR	
		APPROVED BY BANAK IS DATE 02/09/13		MATERIAL NO. SEE CHART		DOCUMENT NO. SD-75000-001	
				MOLEX INCORPORATED		SHEET NO. 2 OF 2	
		THIS DRAWING CONTAINS INFORMATION THAT IS PROPRIETARY TO MOLEX INCORPORATED AND SHOULD NOT BE USED WITHOUT WRITTEN PERMISSION					

tb\_frame\_C\_P\_AM\_T Rev. D 2004/06/28 12 11 10 9 8 7 6 5 4 3 2 1