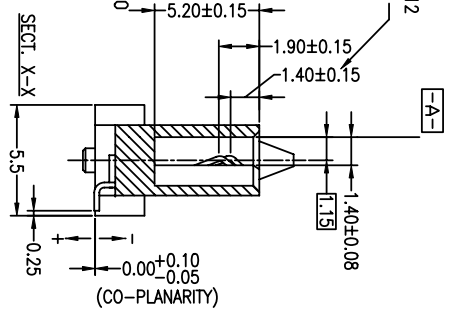
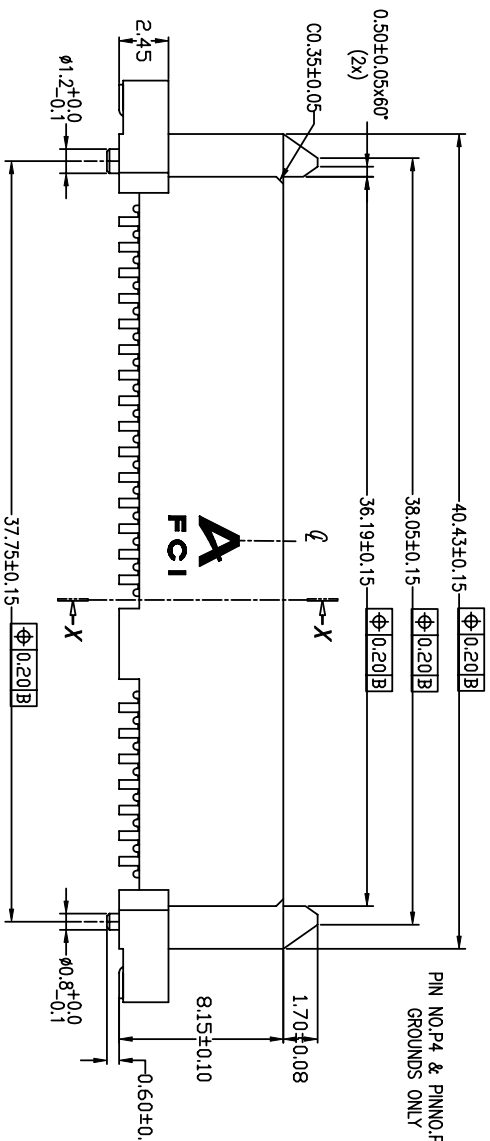
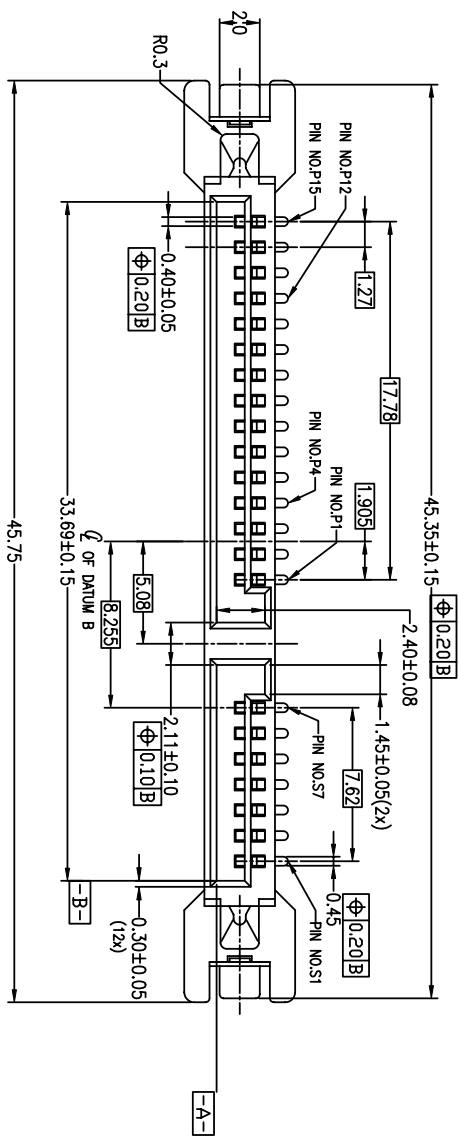




PRODUCT NO.  
SEE TABLE



CONFIDENTIAL



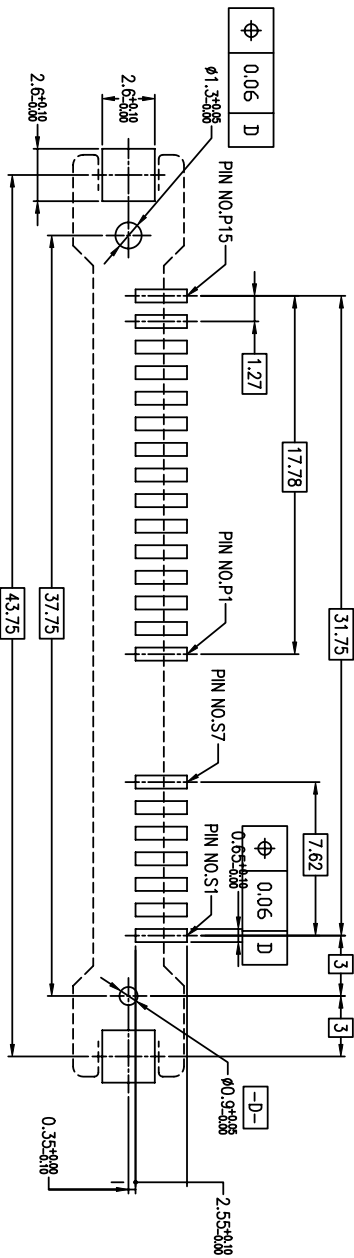
www.fciconnect.com

mat'l. code		tolerances unless otherwise specified		CUSTOMER COPY		title	
ltr	ecn no	dr	date	linear	projection	product family	size
A	S03-0090	G.L	06/26/03	.XX ± 0.25	MM	SATA	A4
B	S03-0162	G.L	10/03/03	.XXX ± 0.15		SMT VERTICAL TYPE ASS'Y	
C	S04-0084	G.L	04/27/04	0° ±2°			
D	T07-1110	S.LIN	07/04/07				
E	T08-1035	S.LIN	03/06/08				

sheet	revision	sheet	index
E	1	E	1
E	2	E	2

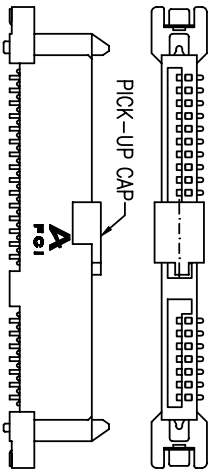
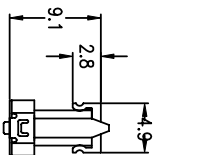
ACAP

code code



RECOMMENDED MOUNTING LAYOUT  
TOLERANCE UNLESS OTHERWISE:±0.1

- NOTE
1. THIS PRODUCT MEETS THE SATA SPEC REV.1.0a
  2. MATERIAL
  3. FINISH
  - 3) HOLD DOWN : COPPER ALLOY
  4. PACKAGING SPEC: GS-12-194
  5. THE HOUSING WILL WITHSTAND EXPOSURE TO 260C FOR 10 SEC. IN A CONVECTION, INFRA-RED OR VAPOR PHASE REFLOW OVEN.
  6. PRODUCT NUMBERING: 59337-00XXXX



- 1: 150" GOLD AT CONTACT AREA
- 2: 30U" GOLD AT CONTACT AREA
- LEAD FREE
- BLANK : NO CAP
- C : WITH CAP

CONFIDENTIAL

www.fciconnect.com

S-ATA COMBO RECF.  
SMT VERTICAL TYPE ASS'y

59337

SATA

code

sheet 2 of

mat'l. code	ecn no.	dr	date	linear	projection	title	product family	code
A	S03-0090	G/L	06/26/03	.XX ± 0.25	MM	S-ATA COMBO RECF.	SATA	TWN
B	S03-0162	G/L	10/03/03	.XXX ± 0.15	MM	SMT VERTICAL TYPE ASS'y	SATA	2 of
C	S04-0084	G/L	04/27/04	0 ± 2"	MM			
D	T07-1110	SLin	07/04/07		MM			
E	T08-1035	SLin	03/06/08		MM			

ACAD

3

4

4