


FLKM S135/S7/FLK50/PLC

Order No.: 2314736




<http://eshop.phoenixcontact.de/phoenix/treeViewClick.do?UID=2314736>

Converter for SIMATIC® S5-135 on 50- pos. FLK strip over which an S7 control can be coupled. Conversion: 6ES5 420-4UA14 / 6ES5 430-4UA14 on 6ES7 321-1BL00-0AA0 **or** 6ES5 441-4UA14 / 6ES5 451-4UA14 on 6ES7 322-1BL00-0AA0

Commercial data	
GTIN (EAN)	 4 046356 155243
sales group	I600
Pack	1 pcs.
Customs tariff	85366990
Catalog page information	Page 241 (IF-2011)

Product notes

WEEE/RoHS-compliant since:
09/07/2006



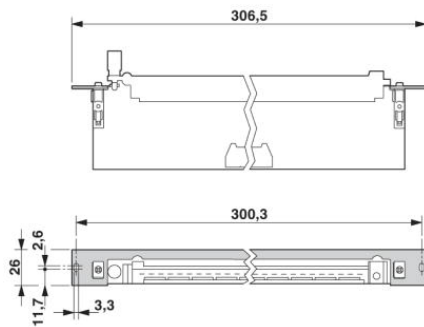
<http://www.download.phoenixcontact.com>
Please note that the data given here has been taken from the online catalog. For comprehensive information and data, please refer to the user documentation. The General Terms and Conditions of Use apply to Internet downloads.

Technical data	
General	
Nominal voltage U_N	50 V AC/DC
Connection type, plug connector	Flat-ribbon cable plug connector in acc. with IEC 60603-13
Number of plug connectors	1

No. of positions, plug connector	50
Ambient temperature (operation)	-20 °C ... 50 °C
Ambient temperature (storage/transport)	-20 °C ... 70 °C
Mounting position	Any
Standards/regulations	DIN EN 50178 IEC 62103
Standard - Electrical safety	DIN EN 50178 IEC 62103
Max. permissible current	1 A (per path)
Name	Air and creepage distances between the power circuits
Standards/regulations	DIN EN 50178
Rated surge voltage / insulation	0.5 kV / basic insulation
Rated insulation voltage	50 V
Pollution degree	2
Surge voltage category	II
Nominal operating mode	100% operating factor
Degree of protection	IP20

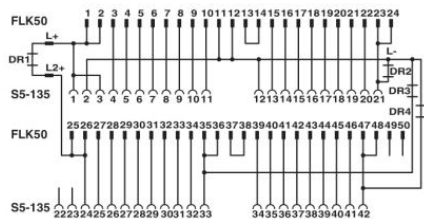
Diagrams/Drawings

Dimensioned drawing



Circuit diagram

FLKM S135/S7/FLK50/PLC connection scheme



Address

PHOENIX CONTACT Inc., USA
586 Fulling Mill Road
Middletown, PA 17057, USA
Phone (800) 888-7388
Fax (717) 944-1625
<http://www.phoenixcon.com>



© 2011 Phoenix Contact
Technical modifications reserved;