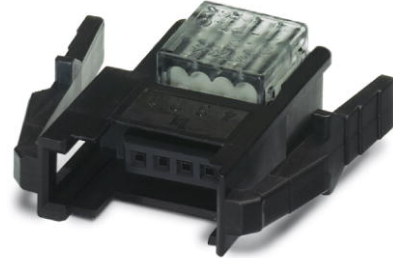



**CIOC 4-20-2,0-FL**

Order No.: 1701333

<http://eshop.phoenixcontact.de/phoenix/treeViewClick.do?UID=1701333>

Plug component, Nominal current: 3 A, Number of positions: 4, Pitch: 2 mm, Color: gray

Commercial data	
GTIN (EAN)	
sales group	E194
Pack	50 pcs.
Customs tariff	85366990
Catalog page information	Page 61 (CC-2011)

**Product notes**WEEE/RoHS-compliant since:  
01/01/2005

<http://www.download.phoenixcontact.com>  
Please note that the data given here has been taken from the online catalog. For comprehensive information and data, please refer to the user documentation. The General Terms and Conditions of Use apply to Internet downloads.

**Technical data**

Dimensions / positions	
Pitch	2 mm
Dimension a	6 mm
Number of positions	4

**Technical data**

Range of articles	CIOC-FL
Connection in acc. with standard	EN-VDE
Nominal current $I_N$	3 A
Nominal voltage $U_N$	32 V
Nominal cross section	0.5 mm <sup>2</sup>
Maximum load current	3 A
Insulating material	PBT/PC
Inflammability class acc. to UL 94	V0

**Connection data**

Conductor cross section stranded min.	0.14 mm <sup>2</sup>
Conductor cross section stranded max.	0.25 mm <sup>2</sup>
Conductor cross section AWG/kcmil min.	22
Conductor cross section AWG/kcmil max	20

**Certificates / Approvals**

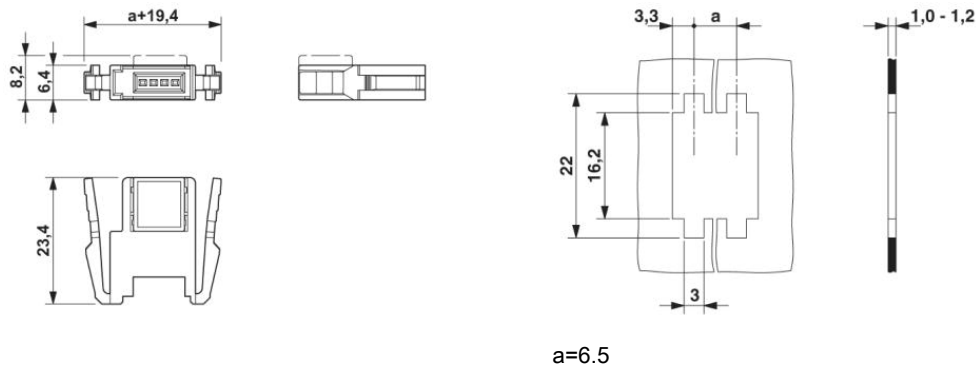


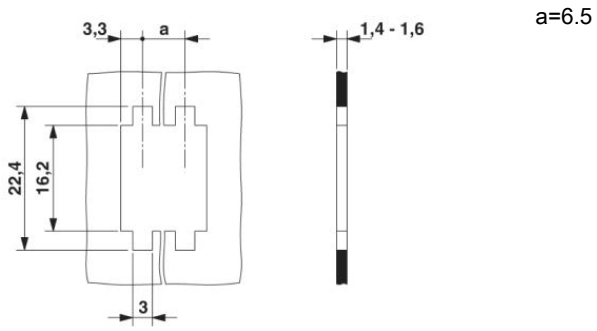
Certification

CUL, UL

**Diagrams/Drawings**

Dimensioned drawing





**Address**

PHOENIX CONTACT Inc., USA  
586 Fulling Mill Road  
Middletown, PA 17057, USA  
Phone (800) 888-7388  
Fax (717) 944-1625  
<http://www.phoenixcon.com>



© 2011 Phoenix Contact  
Technical modifications reserved;