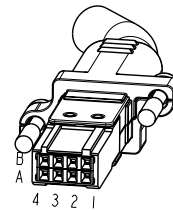
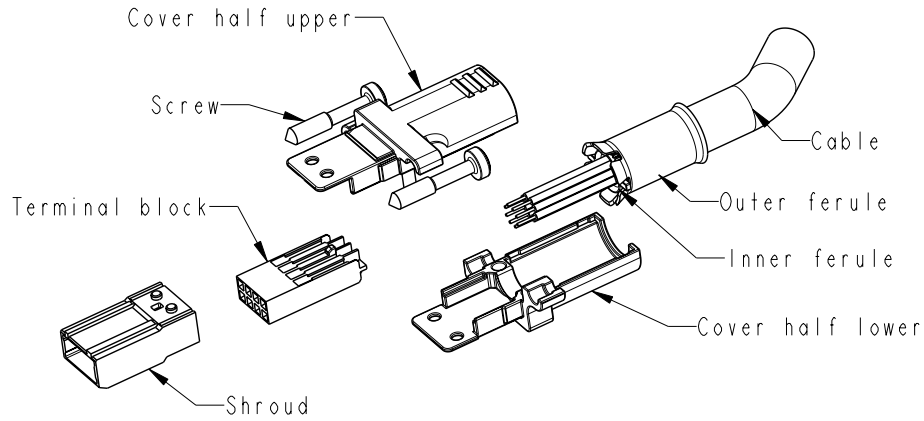




Copyright FCI.



www.fciconnect.com			surface 0.8 ISO 1302		tolerance std ISO 406 ISO 1101		projection 		mm 		
TOLERANCES UNLESS OTHERWISE SPECIFIED											
Dr	Stroeykens	2002/06/30	ANGULAR	LINEAR	0.X	±0.3	size A4	Scale 1:1			
Eng	G.Nys	2002/06/30			0.XX	±0.1		ECN LS07-0285			
Chr	W.Panis	2002/06/30			0° ±°	0.XXX		±0.05	Spec ref RELEASED		
Appr	W.Panis	2002/06/30	Product family METRAL SOFIX								
			Title SHIELDED CABLE CONNECTOR			dwg no 72861_C			Rev. G		
			8 POS - IDC			CUSTOMER COPY			sheet 2 of 3		
catalog no											

REV F - 2004-04-17

PDM: Rev:G

STATUS:Released

Printed: Aug 01, 2010

LEAD-FREE PRODUCTS:(see note 7)

Kit: 72861-X01LF	
COMPONENTS	QTY
COVER UPPER	1
COVER LOWER	1
FERRULE OUTER	1
FERRULE INNER	1
SCREW	2
SHROUD	1
TERMINAL BLOCK	1



Dimension with oval around are critical dimensions including any attached geometrical tolerance. Other features or stand-alone geometrical tolerances being critical have a note "CRITICAL FEATURE" below the item

A symbol \triangle_x (x: drawing current revision) will be next to any dimension, view or note which has been modified with the current drawing revision



Copyright FCI.

www.fciconnect.com			surface 0.8 ISO 1302		tolerance std ISO 406 ISO 1101		projection 		mm 		
			TOLERANCES UNLESS OTHERWISE SPECIFIED								
Dr	Stroeykens	2002/06/30	ANGULAR	LINEAR	0.X	±0.3	size A4	Scale 1:1			
Eng	G.Nys	2002/06/30			0.XX	±0.1					
Chr	W.Panis	2002/06/30			0° ±°	0.XXX		±0.05	ECN LS07-0285		
Appr	W.Panis	2002/06/30	Product family METRAL SOFIX			Spec ref		RELEASED			
		title SHIELDED CABLE CONNECTOR				dwg no 72861_C		Rev. G			
		8 POS - IDC									
		catalog no				CUSTOMER COPY		sheet 3 of 3			

REV F - 2004-04-17

PDM: Rev:G

STATUS:Released

Printed: Aug 01, 2010