


CIOC 4-24-1,6-FL

Order No.: 1701278

<http://eshop.phoenixcontact.de/phoenix/treeViewClick.do?UID=1701278>

Plug component, Nominal current: 3 A, Number of positions: 4, Pitch: 2 mm, Color: orange

Commercial data	
GTIN (EAN)	
sales group	E194
Pack	50 pcs.
Customs tariff	85366990
Catalog page information	Page 61 (CC-2011)

Product notes

WEEE/RoHS-compliant since:
01/01/2005

<http://www.download.phoenixcontact.com>
Please note that the data given here has been taken from the online catalog. For comprehensive information and data, please refer to the user documentation. The General Terms and Conditions of Use apply to Internet downloads.

Technical data	
Dimensions / positions	
Pitch	2 mm
Dimension a	6 mm
Number of positions	4

Technical data

Range of articles	CIOC-FL
Connection in acc. with standard	EN-VDE
Nominal current I_N	3 A
Nominal voltage U_N	32 V
Nominal cross section	0.34 mm ²
Maximum load current	3 A
Insulating material	PBT/PC
Inflammability class acc. to UL 94	V0

Connection data

Conductor cross section stranded min.	0.14 mm ²
Conductor cross section stranded max.	0.25 mm ²
Conductor cross section AWG/kcmil min.	26
Conductor cross section AWG/kcmil max	24

Certificates / Approvals

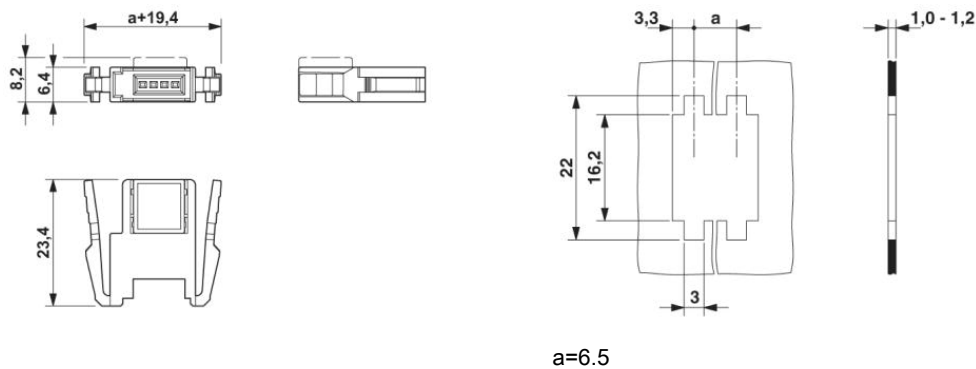


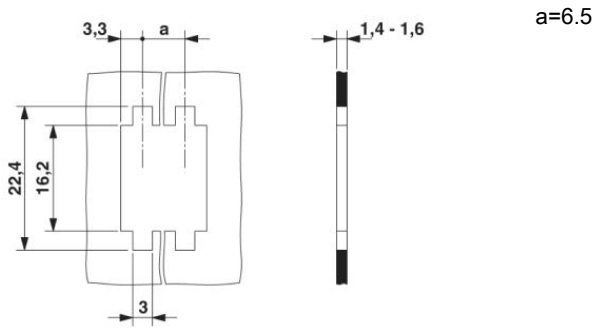
Certification

CUL, UL

Diagrams/Drawings

Dimensioned drawing





Address

PHOENIX CONTACT Inc., USA
586 Fulling Mill Road
Middletown, PA 17057, USA
Phone (800) 888-7388
Fax (717) 944-1625
<http://www.phoenixcon.com>



© 2011 Phoenix Contact
Technical modifications reserved;