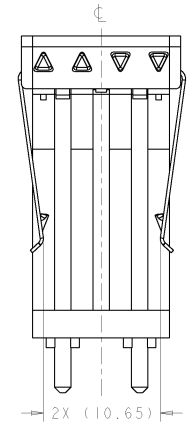
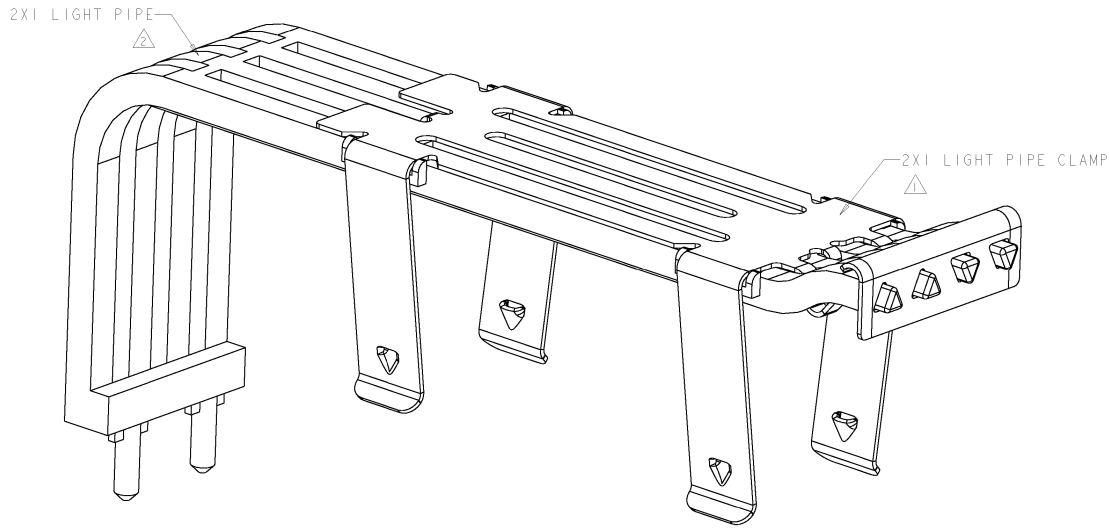


4 3 2 1

THIS DRAWING IS UNPUBLISHED. RELEASED FOR PUBLICATION 2004
 (C) COPYRIGHT 2004 BY TYCO ELECTRONICS CORPORATION. ALL RIGHTS RESERVED.

LOC	DISP	REVISIONS					
GP	00	TR	LYR	DESCRIPTION	DATE	DMN	APPRO
		01		INITIAL RELEASE FOR CUSTOMER REVIEW	19FEB2004	MEC	BRH
		A		REVISED PER ECO-04-028435	11DEC04	BW	JK

△ STAINLESS STEEL
 △ POLYCARBONATE, CLEAR



1658862-1
 SCALE 6:1

1658862-1
 PART NUMBER

DIMENSIONS: mm 0 PLC ± 1 PLC ± 2 PLC ± 3 PLC ± 4 PLC ± ANGLES ± FINISH		DIMENSIONS: mm 0 PLC ± 1 PLC ± 2 PLC ± 3 PLC ± 4 PLC ± ANGLES ± FINISH		DWG: 19FEB2004 M.L. COMLEY CHK: 19FEB2004 B.R. HENRY APPR: 19FEB2004 B.R. HENRY	tyco Electronics Tyco Electronics Harrisburg, PA 17105-3400	2XI LIGHT PIPE KIT, STACKED SFP	SIZE CASE CODE DRAWING NO A2100779 1658862	RESTRICTED TO
SEE NOTES		SEE NOTES		CUSTOMER DRAWING		SCALE 4:1	SHEET 1 OF 1	REV A

AMP 1471-8 REV 31MAR2000
 PFA/ENGINEER DRAWING