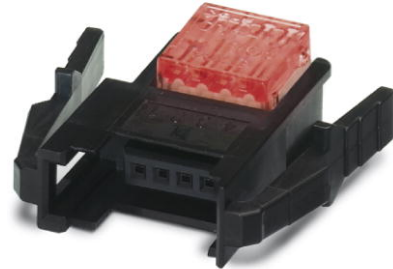



CIOC 4-24-1,0-FL

Order No.: 1701236

<http://eshop.phoenixcontact.de/phoenix/treeViewClick.do?UID=1701236>

Plug component, Nominal current: 3 A, Number of positions: 4, Pitch: 2 mm, Color: red

Commercial data

| | |
|--------------------------|--|
| GTIN (EAN) |  4 046356 030403 |
| sales group | E194 |
| Pack | 50 pcs. |
| Customs tariff | 85366990 |
| Catalog page information | Page 61 (CC-2011) |

Product notesWEEE/RoHS-compliant since:
01/01/2005

<http://www.download.phoenixcontact.com>
Please note that the data given here has been taken from the online catalog. For comprehensive information and data, please refer to the user documentation. The General Terms and Conditions of Use apply to Internet downloads.

Technical data**Dimensions / positions**

| | |
|---------------------|------|
| Pitch | 2 mm |
| Dimension a | 6 mm |
| Number of positions | 4 |

Technical data

| | |
|------------------------------------|----------------------|
| Range of articles | CIOC-FL |
| Connection in acc. with standard | EN-VDE |
| Nominal current I_N | 3 A |
| Nominal voltage U_N | 32 V |
| Nominal cross section | 0.34 mm ² |
| Maximum load current | 3 A |
| Insulating material | PBT/PC |
| Inflammability class acc. to UL 94 | V0 |

Connection data

| | |
|--|----------------------|
| Conductor cross section stranded min. | 0.14 mm ² |
| Conductor cross section stranded max. | 0.25 mm ² |
| Conductor cross section AWG/kcmil min. | 26 |
| Conductor cross section AWG/kcmil max. | 24 |

Certificates / Approvals

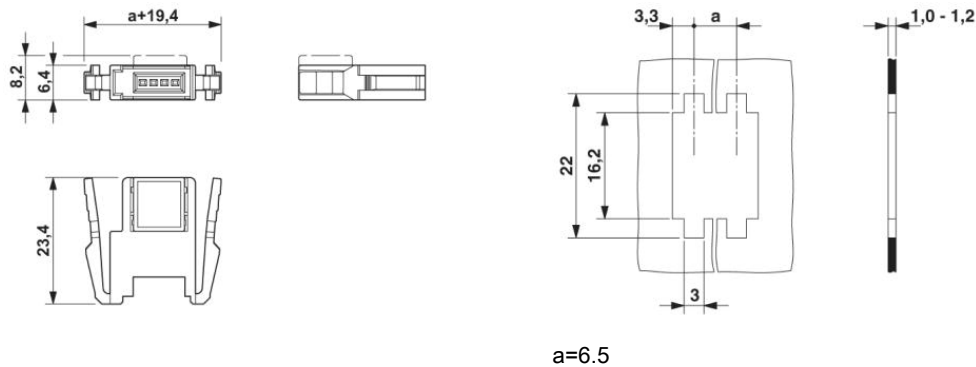


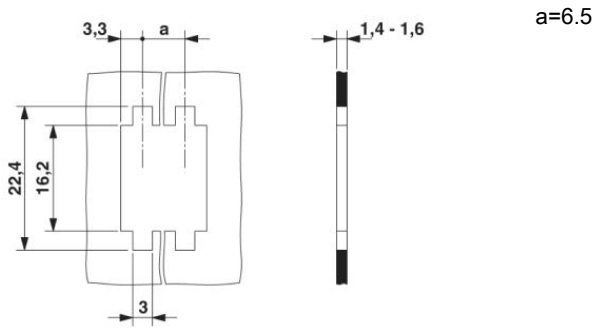
Certification

CUL, UL

Diagrams/Drawings

Dimensioned drawing





Address

PHOENIX CONTACT Inc., USA
586 Fulling Mill Road
Middletown, PA 17057, USA
Phone (800) 888-7388
Fax (717) 944-1625
<http://www.phoenixcon.com>



© 2011 Phoenix Contact
Technical modifications reserved;