


**CIOC 4-1-LIV**

Order No.: 1701375

<http://eshop.phoenixcontact.de/phoenix/treeViewClick.do?UID=1701375>Header, Nominal current: 5 A, Number of positions: 4, Pitch: 2.54 mm,  
Color: black, Assembly: Soldering

Commercial data	
GTIN (EAN)	
sales group	E194
Pack	100 pcs.
Customs tariff	85366990
Catalog page information	Page 65 (CC-2011)

## Product notes

WEEE/RoHS-compliant since:  
01/01/2005

<http://www.download.phoenixcontact.com>  
Please note that the data given here has been taken from the online catalog. For comprehensive information and data, please refer to the user documentation. The General Terms and Conditions of Use apply to Internet downloads.

**Technical data**

Dimensions / positions	
Pitch	2.54 mm
Dimension a	7.5 mm
Number of positions	4
Pin spacing	2.54 mm

**Technical data**

Range of articles	CIOC-LINK
Connection in acc. with standard	EN-VDE
Nominal current $I_N$	5 A
Nominal voltage $U_N$	160 V
Maximum load current	5 A
Insulating material	PBT
Inflammability class acc. to UL 94	V0
Color	Black

**Certificates / Approvals**

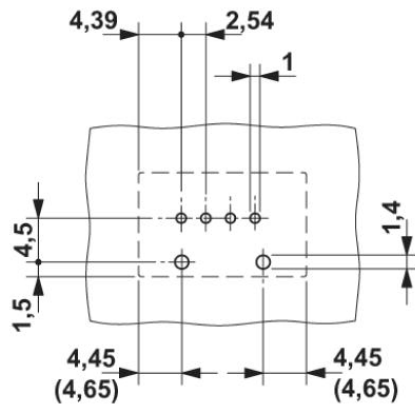


Certification

CUL, UL

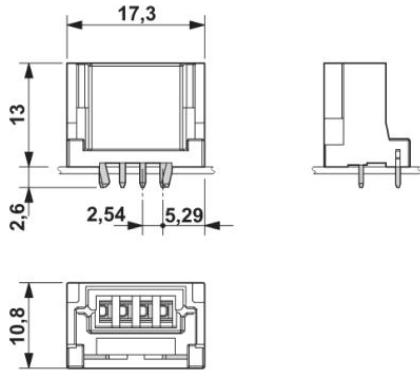
**Diagrams/Drawings**

Drilling plan/solder pad geometry



Dimensioned drawing

---



**Address**

PHOENIX CONTACT Inc., USA  
586 Fulling Mill Road  
Middletown, PA 17057, USA  
Phone (800) 888-7388  
Fax (717) 944-1625  
<http://www.phoenixcon.com>



© 2011 Phoenix Contact  
Technical modifications reserved;