

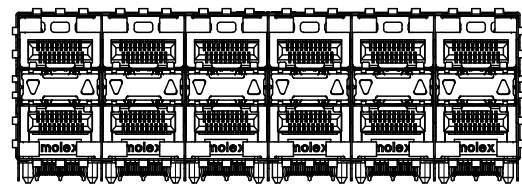
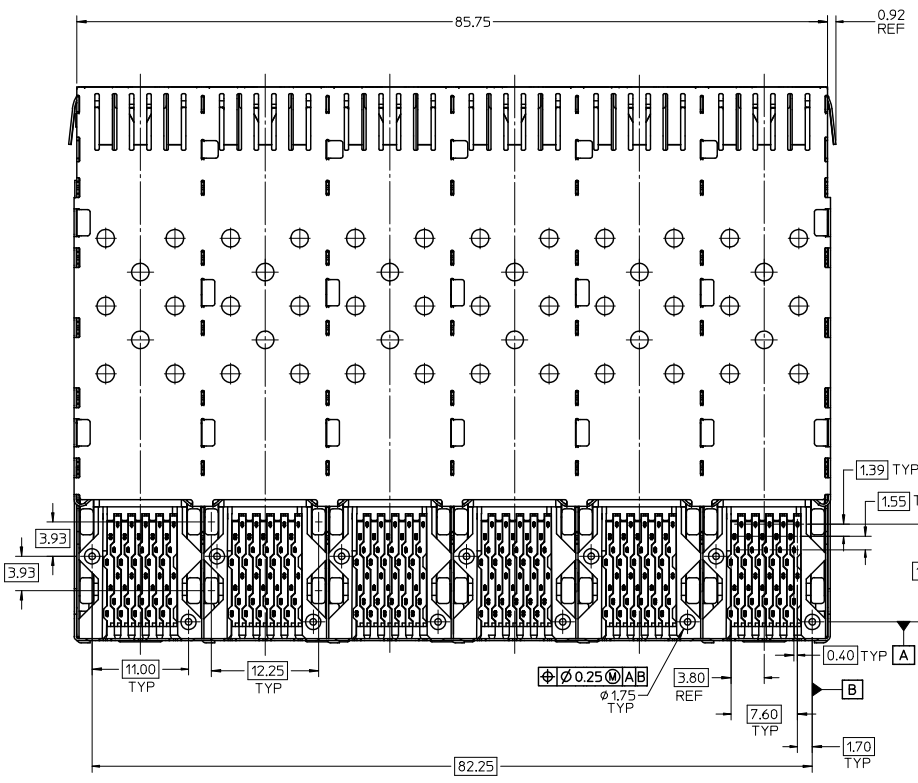
NOTES:

- MATERIAL:
  - CAGE: NICKEL SILVER, THICKNESS: 0.25mm
  - CONNECTOR HOUSING: GLASS FILLED HIGH TEMP PLASTIC, 94 V-0
  - COLOR: BLACK
  - OVERMOLDED TERMINAL HOUSING: GLASS FILLED HIGH TEMP PLASTIC, 94 V-0, COLOR: BLACK
  - TERMINALS: TIN BRASS
  - LIGHT PIPES: POLYCARBONITE, 94 V-0, COLOR: CLEAR
  - LIGHT PIPE HOUSING: ZINC
- FINISH:
  - LIGHT PIPE HOUSING: 150 MICROMETERS NICKEL OVER 150 MICROMETERS COPPER
  - TERMINALS: CONTACT AREA: 0.76 MICROMETERS MINIMUM HARD GOLD OVER 1.27 MICROMETERS MINIMUM NICKEL
  - COMPLIANT AREA - TIN/LEAD OPTION: 0.76 - 1.52 MICROMETERS 90/10 TIN/LEAD OVER 0.76 - 1.52 MICROMETERS NICKEL.
  - COMPLIANT AREA - TIN OPTION: 0.76 - 1.52 MICROMETERS TIN OVER 0.76 - 1.52 MICROMETERS NICKEL.
- REFER TO PS-75310-001 PRODUCT SPEC FOR ALL ELECTRICAL, MECHANICAL AND ENVIRONMENTAL SPECIFICATIONS.
- LIGHT PIPE PAD LAYOUT IS FOR LOW-PROFILE LED PACKAGE, FOR OTHER RECOMMENDED LAYOUTS REFER TO MOLEX'S REPORT TS-75310-001.
- REFER TO PK-75451-001 FOR ALL PACKAGING SPECIFICATIONS.
- THE CURVED TAILS THAT GO INTO THE HOLES LOCATED BY THESE DIMENSIONS ARE BEING ELIMINATED. TO ACCOMMODATE THIS CONVERSION, IT IS RECOMMENDED THAT BOARDS DESIGNED TO THIS PRINT REVISION INCLUDE THESE HOLES.
- PART COMPLIES WITH COSMETIC SPECIFICATION PS-45499-002. SEE SHEET 4 SECTION Z-Z FOR SURFACE CLASSIFICATIONS. UNDERSIDE OF CAGE COMPLIES WITH CLASS 'C'.

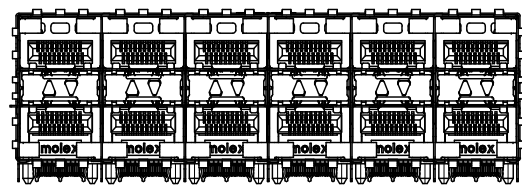
PART NUMBER	DESCRIPTION	VIEW	COMPLIANT TAIL PLATING
75451-0001	4 PORT LIGHT PIPE	SEE PG 2	TIN LEAD
75451-0002	INNER 2 PORTS	SEE PG 2	TIN LEAD
75451-0003	OUTER 2 PORTS	SEE PG 2	TIN LEAD
75451-5001	4 PORT LIGHT PIPE	SEE PG 2	TIN
75451-5002	INNER 2 PORTS	SEE PG 2	TIN
75451-5003	OUTER 2 PORTS	SEE PG 2	TIN

ADD KEEP OUT ZONES EC NO: UEP2010-0369 T: DRWINS IBARRA 2009/07/07 CHKD: BARKER 2009/08/26 APPR: SHILLER 2009/08/27	QUALITY SYMBOLS	GENERAL TOLERANCES (UNLESS SPECIFIED)	DIMENSION STYLE	SCALE	DESIGN UNITS	THIRD ANGLE PROJECTION															
	$\nabla=0$ $\nabla=0$	<table border="1"> <tr> <th></th> <th>mm</th> <th>INCH</th> </tr> <tr> <td>4 PLACES</td> <td>± .15</td> <td>± .005</td> </tr> <tr> <td>3 PLACES</td> <td>± .25</td> <td>± .010</td> </tr> <tr> <td>2 PLACES</td> <td>± 0.13</td> <td>± .005</td> </tr> <tr> <td>1 PLACE</td> <td>± 0.25</td> <td>± .010</td> </tr> </table>		mm	INCH	4 PLACES	± .15	± .005	3 PLACES	± .25	± .010	2 PLACES	± 0.13	± .005	1 PLACE	± 0.25	± .010	MM ONLY	3:1	METRIC	
		mm	INCH																		
	4 PLACES	± .15	± .005																		
3 PLACES	± .25	± .010																			
2 PLACES	± 0.13	± .005																			
1 PLACE	± 0.25	± .010																			
REV	DESCRIPTION	DRAFT WHERE APPLICABLE MUST REMAIN WITHIN DIMENSIONS	DRAWN BY: JLONG DATE: 05-15-2004 CHECKED BY: JLONG DATE: 04-16-2004 APPROVED BY: KREGNIER DATE: 04-19-2004	MATERIAL NO. SEE TABLE	DOCUMENT NO. SD-75451-001	SHEET NO. 1 OF 4															
MOLEX INCORPORATED THIS DRAWING CONTAINS INFORMATION THAT IS PROPRIETARY TO MOLEX INCORPORATED AND SHOULD NOT BE USED WITHOUT WRITTEN PERMISSION																					

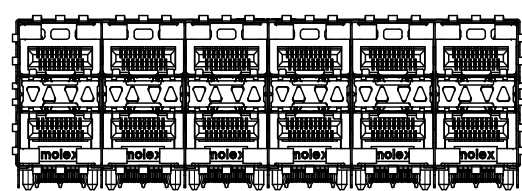
13 12 11 10 9 8 7 6 5 4 3 2 1



75451-0003 & 75451-5003  
WITH OUTER LIGHT PIPES



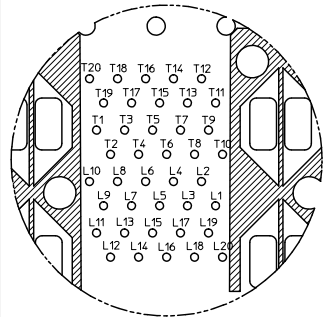
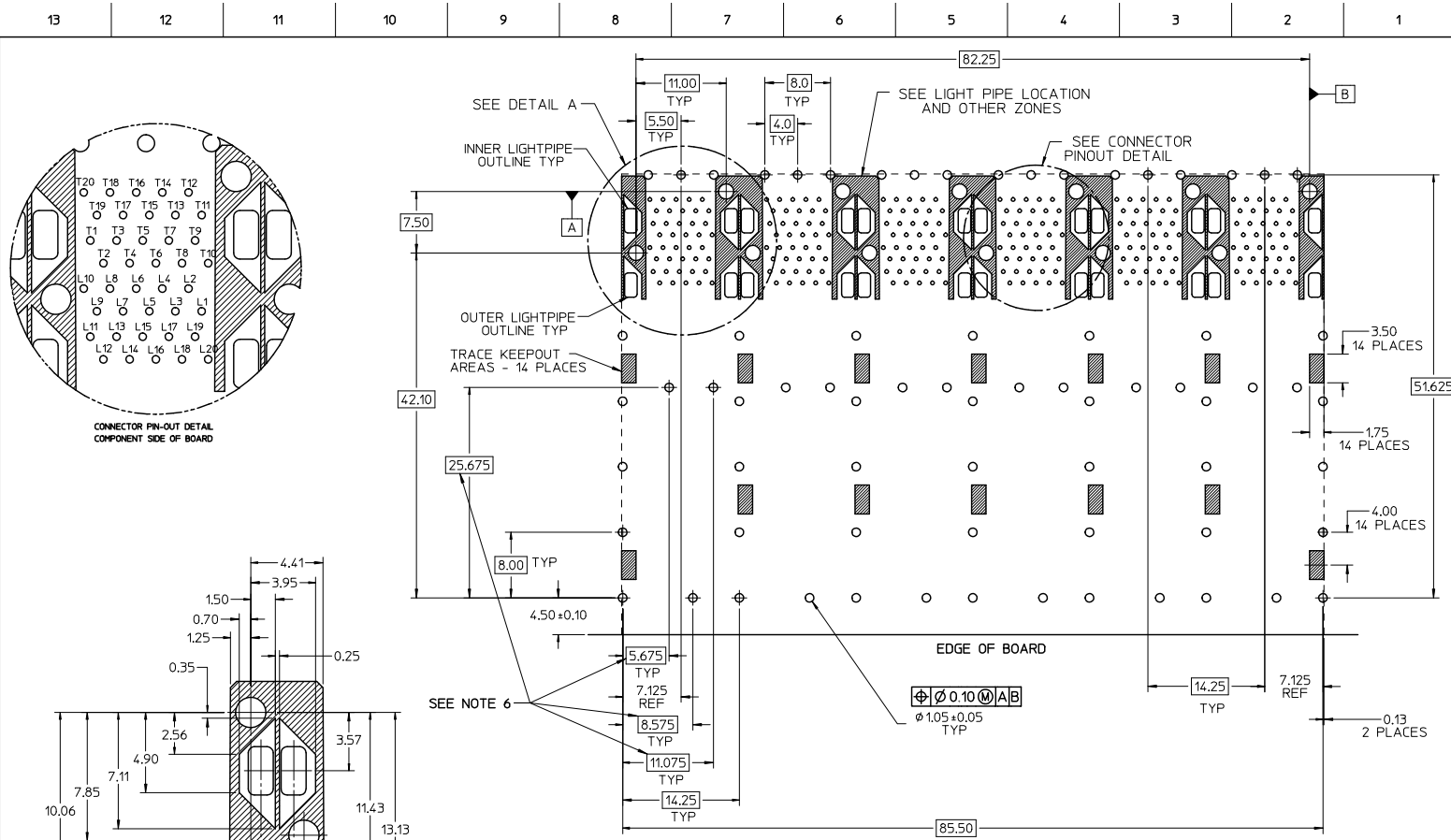
75451-0002 & 75451-5002  
WITH INNER LIGHT PIPES



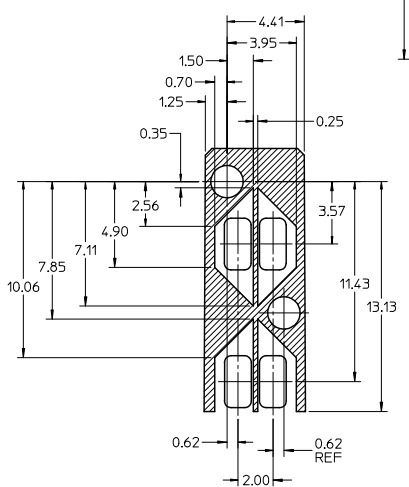
75451-0001 & 75451-5001  
WITH INNER/OUTER LIGHT PIPES

SEE SHEET 1 EC NO. UCP2010-0369 T: DRW:MS BARBA 2009/07/07 CHK: C. BARBER 2009/08/24 APPR: S. HILLER 2009/08/27 REV:	QUALITY SYMBOLS	GENERAL TOLERANCES (UNLESS SPECIFIED)		DIMENSION STYLE		SCALE	DESIGN UNITS	THIRD ANGLE PROJECTION
	▽=0 ▽=0	mm	INCH	MM ONLY	3:1	METRIC	☉ THIRD ANGLE PROJECTION	
	4 PLACES ± --- ± ---	3 PLACES ± --- ± ---	2 PLACES ± 0.13 ± ---	1 PLACE ± 0.25 ± ---	DRAWN BY	DATE	TITLE	STACKED SFP 2X6 MEDIUM HEIGHT ASS'Y, PRESS-FIT TAILS WITH LIGHT PIPES MOLEX INCORPORATED
	ANGULAR ± 5 °				JLONG	05-15-2004		
DRAFT WHERE APPLICABLE MUST REMAIN WITHIN DIMENSIONS		SEE TABLE		CHECKED BY	DATE	MATERIAL NO.		DOCUMENT NO.
				JLONG	04-16-2004	SD-75451-001		SHEET NO. 2 OF 4
				APPROVED BY	DATE	KREGNIER 04-19-2004		
				THIS DRAWING CONTAINS INFORMATION THAT IS PROPRIETARY TO MOLEX INCORPORATED AND SHOULD NOT BE USED WITHOUT WRITTEN PERMISSION				

12 11 10 9 8 7 6 5 4 3 2 1



CONNECTOR PIN-OUT DETAIL  
COMPONENT SIDE OF BOARD

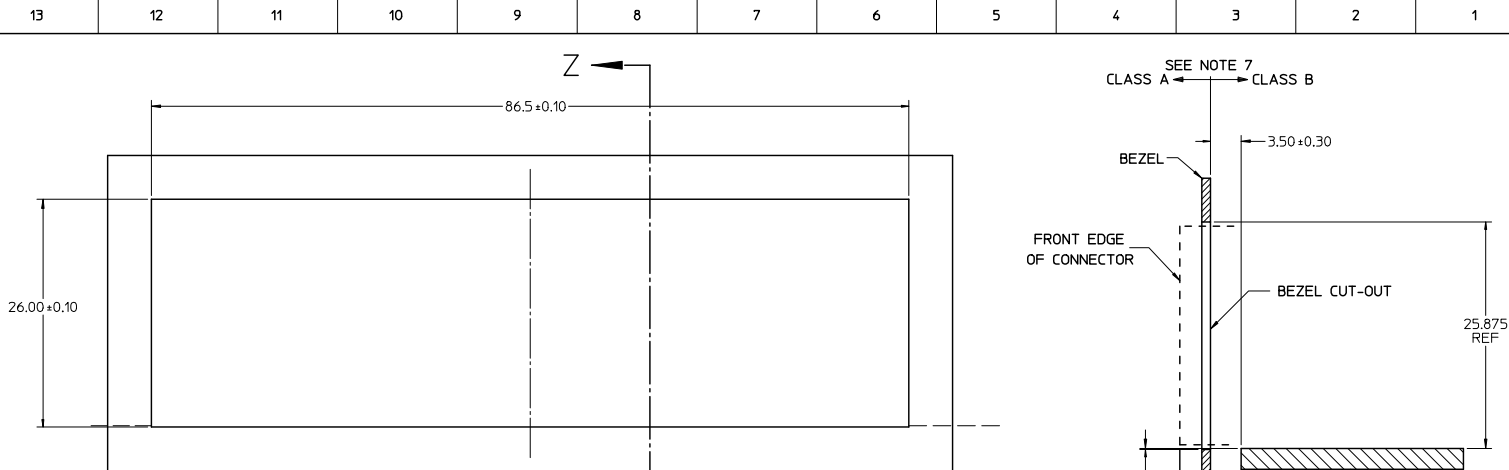


DETAIL LIGHT PIPE LOCATION AND OTHER ZONES  
SCALE 6:1

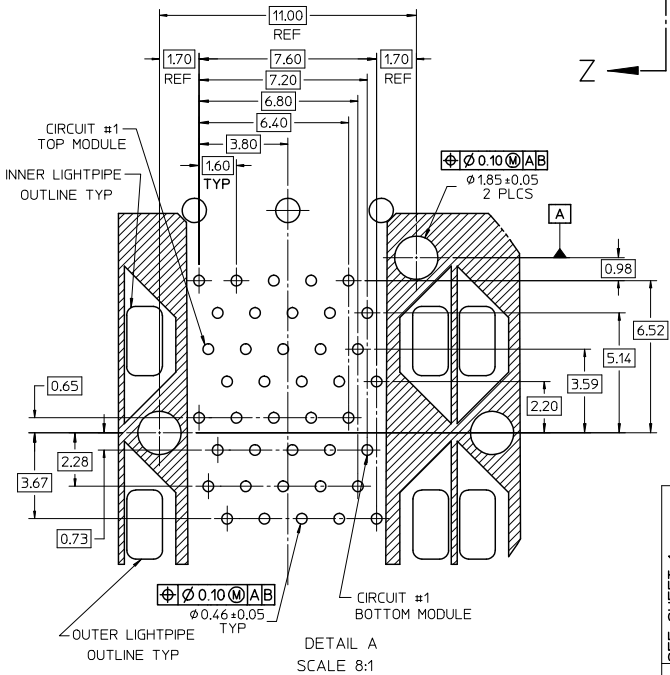
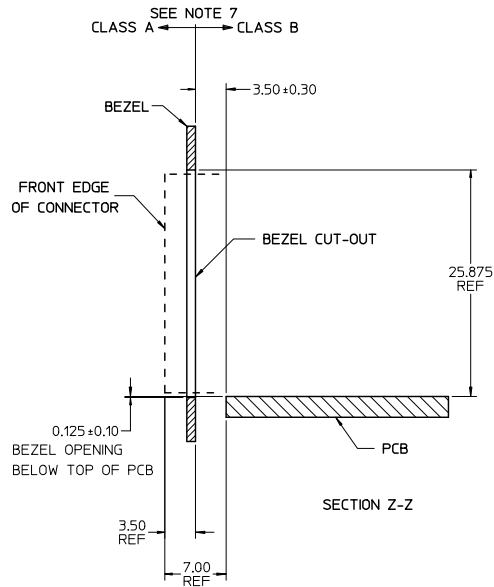
THE HATCHED AREA IN THIS VIEW INDICATES ZONES THAT ARE OCCUPIED BY THE PLASTIC HOUSING THAT SEATS AGAINST THE PCB AND BY THE VERTICAL METAL CAGE WALL THAT STOPS JUST SHORT OF THE PCB

RECOMMENDED PCB LAYOUT - COMPONENT SIDE  
RECOMMENDED PCB THICKNESS - 2.36 MM (0.093 INCH)  
THE ENTIRE AREA OF THE CONNECTOR FOOTPRINT TO BE CONSIDERED THE KEEPOUT AREA FOR COMPONENTS (OTHER THAN LIGHT PIPE LED'S).  
THIS AREA IS INDICATED BY THE DASHED LINE

<b>ADD KEEPOUT ZONES</b> EC NO. ICF2010-0369 TDORWINS IBARRA 2009/07/07 CHFCOBBANER 2009/08/28 APPR: SPILLER 2009/08/27 REV	QUALITY SYMBOLS ▽=0 ▽=0	GENERAL TOLERANCES (UNLESS SPECIFIED)		DIMENSION STYLE MM ONLY		SCALE 3:1	DESIGN UNITS METRIC	THIRD ANGLE PROJECTION	
		4 PLACES ±--- ±--- 3 PLACES ±--- ±--- 2 PLACES ±0.13 ±--- 1 PLACE ±0.25 ±--- ANGULAR ± 5 °	mm INCH	DRAWN BY JLONG	DATE 05-15-2004	TITLE STACKED SFP 2X6 MEDIUM HEIGHT ASS'Y, PRESS-FIT TAILS WITH LIGHT PIPES			
		DRAFT WHERE APPLICABLE MUST REMAIN WITHIN DIMENSIONS		CHECKED BY JLONG	DATE 04-16-2004	APPROVED BY KREGNIER 04-19-2004 MATERIAL NO. SD-75451-001 DOCUMENT NO.			
		SEE TABLE		MOLEX INCORPORATED		SHEET NO. 3 OF 4			



BEZEL CUT-OUT CENTER DETAIL  
BEZEL THICKNESS 0.8 - 2.6



DETAIL A  
SCALE 8:1

<b>SEE SHEET 1</b> EC NO. UEP2010-0369 DRAWN BY: JLONG 2009/07/07 CHECKED BY: CHKO-BARKER 2009/08/26 APPROVED BY: APPR: SHILLER 2009/08/27	<b>QUALITY SYMBOLS</b> ▽=0 ▽=0	<b>GENERAL TOLERANCES (UNLESS SPECIFIED)</b>		<b>DIMENSION STYLE</b> MM ONLY		SCALE 3:1	DESIGN UNITS METRIC	THIRD ANGLE PROJECTION	
		4 PLACES ± 0.10 3 PLACES ± 0.13 2 PLACES ± 0.25 1 PLACE ± 0.50 ANGULAR ± 5°	mm INCH	DRAWN BY JLONG	DATE 05-15-2004	CHECKED BY JLONG	DATE 04-16-2004	TITLE <b>STACKED SFP 2X6 MEDIUM HEIGHT ASS'Y, PRESS-FIT TAILS WITH LIGHT PIPES</b>	
		DRAFT WHERE APPLICABLE MUST REMAIN WITHIN DIMENSIONS		APPROVED BY KREGNIER		DATE 04-19-2004	MOLEX INCORPORATED		
				SEE TABLE		MATERIAL NO. SD-75451-001	DOCUMENT NO.	SHEET NO. 4 OF 4	