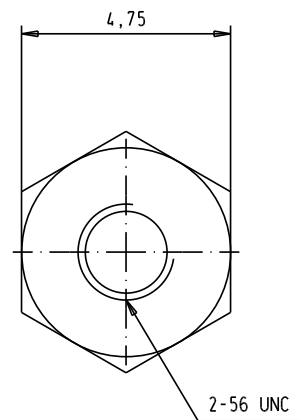
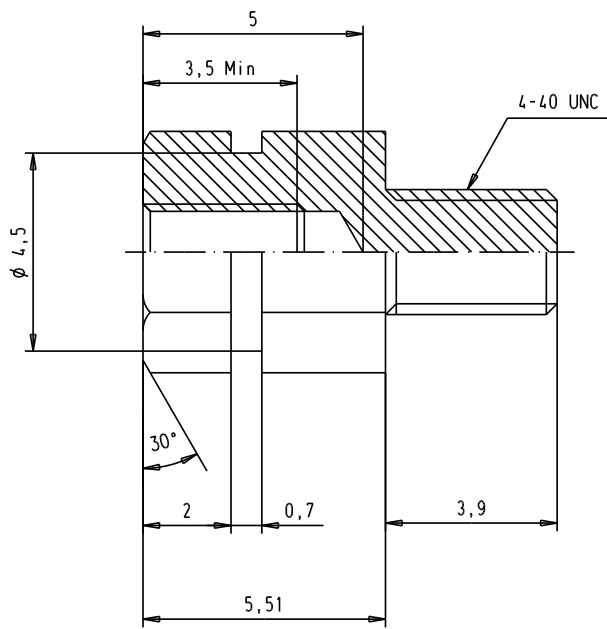




Alle Rechte vorbehalten / All rights reserved



Material : Copper Alloy  
 Plating : Nickel  
 Screwing torque for 4-40 UNC : Max 0,46 Nm  
 Screwing torque for 2-56 UNC : Max 0,21 Nm

				Del.	Name	 All Dim. in mm Orig. Size DIN A 4	Har-mik: Female screw-lock with 0,7 mm slot	Maßstab/ Scale 8 : 1
			Detail.	04/07/06	PK			
			Insp.					
			Stand.					
33774	04/07/06	PK	HARTING EURL F-95972 Paris				TB 60 01 000 9020	Blatt / Page 1 / 1
Mod.	Del.	Name					Sub.	